



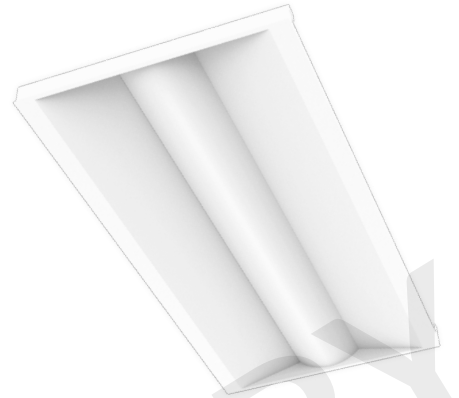
Volumetric Selectable Troffer



407-478-3759
ilp-inc.com

FEATURES

- Highly Versatile Volumetric Selectable Troffer
- 2.1" Depth for Shallow Plenum Applications
- Matte White Post Paint Finish for Uniform Indirect Illumination
- Shallow Depth Design for Low Plenum Applications
- Grid, Flange, & Surface Mounting Options
- 1'x4', 2'x2', and 2'x4' Sizes
- Field Selectable or Factory Set Lumen Output
 - 2,600 - 7,400 Lumens Delivered Lumen Range
- Field Selectable or Factory Set CCT
 - 3500K, 4000K, & 5000K CCT
- Integrated Wireless Controls Options
- High Efficacy—Up to 150 lm/W
- >80 Color Rendering Index (CRI)
- 0-10V Dimmable Driver (100%-10%)
- 120-277V Universal Voltage
- Bi-Level & 1% Dimming Driver Options
- Calculated L70 >100,000hrs
- 5 Year Warranty (std); 10 Year Warranty Optional
- ETL Listed



*Optional

SUITABLE APPLICATIONS

- Education
- Healthcare
- Commercial Office
- Storage Facility
- Retail
- Grocery Store

ORDERING GUIDE:

SERIES	LUMENS (select one)	DRIVER	CCT	WARRANTY
VST14 1'x4' Volumetric Troffer	2L/3L/4L - Lumen Selectable	U 120-277V	CCTS - CCT Selectable 35K - 40K - 50K	(Blank) 5YR 10YR 10YR
	2L		35	
	3L		40	
	4L		50	
VST22 2'x2' Volumetric Troffer	2L/3L/4L - Lumen Selectable			
	2L			
	3L			
	4L			
VST24 2'x4' Volumetric Troffer	2L/3L/4L - Lumen Selectable			
	2L			
	3L			
	4L			
	4L/5L/6L - Lumen Selectable			
	4L			
	5L			
	6L			
	5L/6L/7L - Lumen Selectable			
	5L			
6L				
7L				

OPTIONS		CONTROLS	
Factory Installed		Advanced	
SR ¹	Sensor-Ready Driver	ESMC ⁴	EasySense Grouping Sensor
BLD ⁴	Bi-Level Dimming Driver	5E/2W/CL ^{3,4}	Enlighted 5E Two Wire Connected Lighting (CL) Sensor
DIM1 ⁴	1% Dimming Driver	5E/2W/IOT ^{3,4}	Enlighted 5E Two Wire IOT Lighting (IOT) Sensor
EM5	5W LED Factory Installed Battery Backup	VDO ^{3,4}	Lutron Vive Daylight & Occupancy Sensor
EM5/HE ¹	5W LED Factory Installed Battery Backup	VRF ^{3,4}	Lutron Vive Radio Frequency Only
EM7	7W LED Factory Installed Battery Backup	AWN ^{3,4}	Lutron Athena Wireless Node RF Only
EM7/HE ¹	7W LED Factory Installed Battery Backup	AWNS ^{3,4}	Lutron Athena Wireless Node with Sensor
EM10	10W LED Factory Installed Battery Backup		
EM10/HE ¹	10W LED Factory Installed Battery Backup		
EM10/HE-SD ¹	10W LED Factory Installed Self-Diagnosing Battery Backup		
EM12	12W LED Factory Installed Battery Backup		
SD347 ²	347V Step Down Transformer		
MCx/3W	Metal Conduit (x=ft), 3-wire	ESMC/WWS/DR	EasySense Dual Rocker Wireless Wall Switch
MCx/4W	Metal Conduit (x=ft), 4-wire	SM	Surface Mount Kit
MCx/5W	Metal Conduit (x=ft), 5-wire	FLGK	Flange Mount Kit
MCx/6W	Metal Conduit (x=ft), 6-wire		

¹ CEC Title 20 Compliant

³ Must be used with SR Sensor Ready Driver

² Does not qualify for DLC

⁴ Not compatible with the Lumen selectable and CCT selectable functions



Volumetric Selectable Troffer



QUICK SHIP ITEMS:

SERIES	LUMENS (select one)	DRIVER	CCT
VST14 1x4 Volumetric Troffer	2L/3L/4L - Lumen Selectable	U 120-277V	CCTS - CCT Selectable (3500K, 4000K, 5000K)
VST22 2x2 Volumetric Troffer	2L/3L/4L - Lumen Selectable		
VST24 2x4 Volumetric Troffer	2L/3L/4L - Lumen Selectable 4L/5L/6L - Lumen Selectable 5L/6L/7L - Lumen Selectable		

LED SYSTEMS INFORMATION		3500K		4000K		5000K		Watts ²
Model Numbers	Fixed Model Numbers	Lumens	Efficacy	Lumens	Efficacy	Lumens	Efficacy	
VST14-2L/3L/4L-U-CCTS	VST14-2L-U-XX	2594 lm	134 lm/W	2715 lm	145 lm/W	2632 lm	136 lm/W	19 W
	VST14-3L-U-XX	3098 lm	130 lm/W	3243 lm	142 lm/W	3143 lm	132 lm/W	24 W
	VST14-4L-U-XX	3629 lm	125 lm/W	3834 lm	137 lm/W	3653 lm	126 lm/W	29 W
VST22-2L/3L/4L-U-CCTS	VST22-2L-U-XX	2614 lm	136 lm/W	2781 lm	150 lm/W	2696 lm	140 lm/W	19 W
	VST22-3L-U-XX	3114 lm	133 lm/W	3313 lm	146 lm/W	3212 lm	137 lm/W	24 W
	VST22-4L-U-XX	3627 lm	126 lm/W	3909 lm	141 lm/W	3790 lm	131 lm/W	29 W
VST24-2L/3L/4L-U-CCTS	VST24-2L-U-XX	2858 lm	132 lm/W	3045 lm	146 lm/W	2959 lm	137 lm/W	22 W
	VST24-3L-U-XX	3266 lm	129 lm/W	3480 lm	143 lm/W	3381 lm	134 lm/W	25 W
	VST24-4L-U-XX	3910 lm	125 lm/W	4172 lm	138 lm/W	4036 lm	129 lm/W	31 W
VST24-4L/5L/6L-U-CCTS	VST24-4L-U-XX	4307 lm	130 lm/W	4260 lm	133 lm/W	4451 lm	134 lm/W	33 W
	VST24-5L-U-XX	4774 lm	127 lm/W	4723 lm	131 lm/W	4935 lm	131 lm/W	38 W
	VST24-6L-U-XX	5476 lm	123 lm/W	5843 lm	126 lm/W	5628 lm	126 lm/W	45 W
VST24-5L/6L/7L-U-CCTS	VST24-5L-U-XX	5872 lm	132 lm/W	6264 lm	146 lm/W	6058 lm	136 lm/W	45 W
	VST24-6L-U-XX	6508 lm	128 lm/W	6942 lm	142 lm/W	6714 lm	132 lm/W	51 W
	VST24-7L-U-XX	6805 lm	123 lm/W	7379 lm	139 lm/W	7064 lm	128 lm/W	55 W

¹Values are nominal, see IES file for more detail

²Electrical data at 25C (77F). Actual wattage may differ by +/-10%

SPECIFICATIONS

CONSTRUCTION

Steel housing white finish body for rigidity, durability and ease of installation. Matte white post paint finish for uniform indirect illumination. Designed to achieve maximum performance and improved aesthetics.

ELECTRICAL

Class 2 LED light engine for high efficacy and long life. Calculated L70 > 100,000 hrs. LED Lumen Maintenance Estimates based on TM-21 projections for the light source at 25°C ambient. Power Factor > 0.90. Standard 120-277 Vac 0-10V dimmable (10%-100%) with optional 347 Vac step down transformer. Optional emergency battery backups available to meet critical life safety lighting requirements. Lumen and CCT Selectable fixtures allow for ease of adjustment with switches located on top side of driver. Lumen Selectable fixtures ship at the highest lumen output. CCT Selectable fixtures ship at 4000K.

INSTALLATION

VST fits into standard 9/16" & 15/16" T-grid ceiling. Optional Flange Kit (FLGK) for recessed drywall mounting & Surface Mount (SM) to ceiling mount options available. Access plate installed on top of fixture for easy hardwire power connections. Optional factory installed power flex conduit whip (MC) available to reduce electrical installation time.

OPTICS

Standard high transmission PMMA frosted polycarbonate lens. Field removeable lens for easy access to LED boards, drivers and maintenance.

CONTROLS

Factory installed Advanced and Basic sensor options available to maximize energy savings. Sensors are installed integral to the fixture body. Please see more information below on Page 3. Inquire with manufacturer for additional controls options, including customer supplied items.

CERTIFICATIONS

ETL Listed to US and Canadian safety standards. Suitable for insulation contact with Type IC rated. Suitable for damp locations. Title 24 Compliant with sensor option; see local ordinance for qualification information. DLC (DesignLights Consortium) Premium Qualified. Please refer to the DLC Qualified Products List at www.Designlights.org/QPL to confirm specific product qualifications.

WARRANTY

5 Year Warranty Standard; 10 Year Warranty Optional (Terms and Conditions apply).

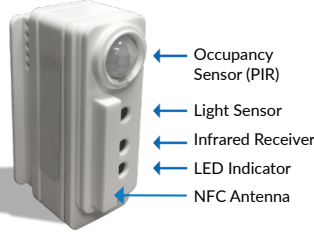
Volumetric Selectable Troffer

ADVANCED CONTROLS OPTIONS

EASYSense

ESMC

EasySense Grouping Sensor that combines occupancy sensing, daylight harvesting & institutional tuning in one compact solution. This is an ideal control for any commercial application. Each sensor allows you to turn on/off occupancy and/or daylight harvesting functions as well as set the full light output, background light level, occupancy prolong time, occupancy grace fading time and occupancy time out/hold time. Easily Controlled via Mobile Phone with Philips MasterConnect Bluetooth App.



ESMC/WWS/DR

Optional Wireless / Batteryless Dual Rocker Wall Switch. Up to 100ft range. Functions include: On/Off, dimming and setting of (2) scenes for full room control.

Specifications:

- Wireless
- Batteryless
- Dual Rocker
- ZigBee®
- 30-100ft Range

Functions:

1. On (Hold to brighten up)
2. Off (Hold to dim down)
3. Scene 1
4. Scene 2



ENLIGHTED

5E/2W/CL

Bundled System with Enlighted 5E sensor (SU-5E-CL), Cable (CBL-5E-CU4-30N) and Sensor Ready SR Driver. Fixtures are controlled based on occupancy and ambient light. Includes individual lighting control plus connection to Enlighted Energy Manager. The Energy Manager provides data analysis for all data collected by the Enlighted Smart Sensors for energy, occupancy and environment. Provided with factory installed components only. Enlighted system provided by others. Contact factory for more information. (see image above)



5E/2W/IOT

Bundled System with Enlighted 5E sensor (SU-5E-IOT), Cable (CBL-5E-CU4-30N) and Sensor Ready SR Driver. Fixtures are controlled based on occupancy and ambient light. Includes individual lighting control plus connection to Enlighted Energy Manager. Energy Manager provides data analysis for all data collected by Enlighted Smart Sensors for energy, occupancy & environment. Additionally, the IOT functionality takes the data access and function beyond just lighting to a wide range of applications beyond the standard connected lighting controls. Provided with factory installed components only. Enlighted system provided by others. Contact factory for more information. (see image above)

LUTRON

VDO

Vive DFCSJ-OEM-OCC integral fixture control sensor with daylight & occupancy. Vive provides intuitive programming allowing for maximum flexibility with wireless communication & sensing as desired. Provided with factory installed components only. Lutron system provided by others. Sensor must be used in conjunction with Pico Switch/Dimmer. Cannot be used in conjunction with mechanical on/off power switch. Contact factory for more information.



VRF

Vive DFCSJ-OEM-RF integral fixture control with Radio Frequency (RF) communication. Vive provides intuitive programming allowing for maximum flexibility with wireless communication as desired. Providing with factory installed components only. Lutron system provided by others. Sensor must be used in conjunction with Pico Switch/Dimmer. Cannot be used in conjunction with mechanical on/off power switch. Contact factory for more information.



AWNDR

Athena wireless node is a radio frequency (RF) device that enables simple, digital control of individual light fixtures in an Athena control system. Enables individual wireless control of each fixture in an Athena control system. Accommodates zone and control changes without rewiring. All drivers on the link are controlled as a single zone. Provided with factory installed components only. Lutron Athena system provided by others.



AWNS

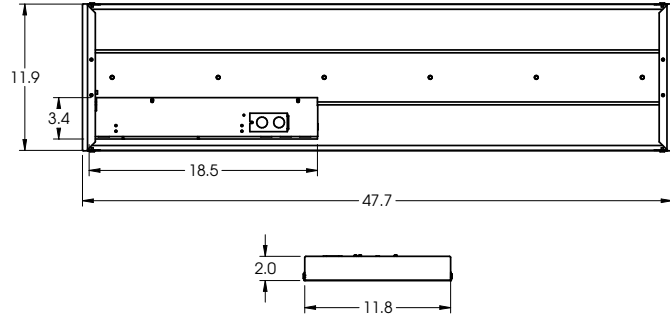
Athena wireless node with a sensor that enables simple, digital control of individual light fixtures in an Athena control system. Provides wireless control of the fixture and includes a passive infrared (PIR) sensor for occupancy and a daylight sensor. Enables individual wireless control of each fixture in an Athena control system. Accommodates zone and control changes without rewiring. All drivers on the link are controlled as a single zone. Provided with factory installed components only. Lutron Athena system provided by others.



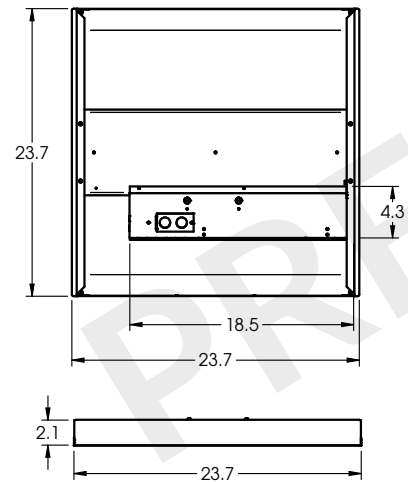
Volumetric Selectable Troffer

LINE DRAWINGS

1x4 Dimensions



2x2 Dimensions



2x4 Dimensions

