

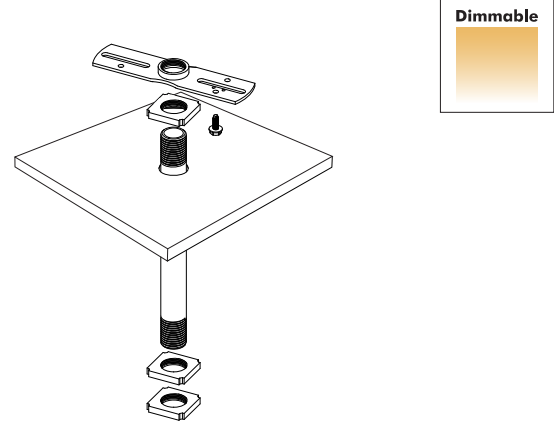
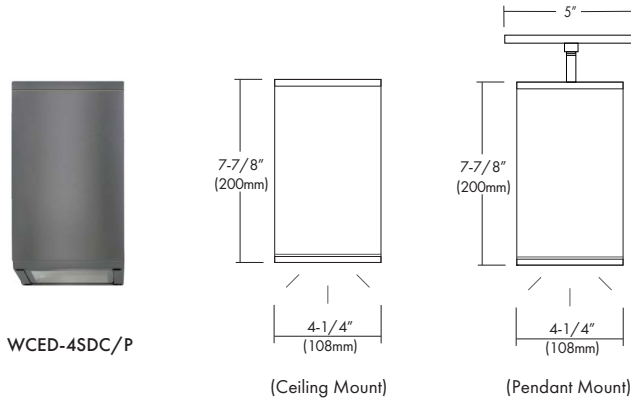
# WCED-4SDC/P

4" Square Ceiling and Pendant Mount Square Cylinders



Catalog #		Type
Project		Date
Prepared by		

## 4" Square LED Cylinder



### DESCRIPTION

The WCED- 4SD 4" Square Cylinders are Wet Location and IP65 rated for outdoor use. These cylinders come in two versions : ceiling "C" and pendant "P". The pendant mount cylinders are available with either the standard pendant, swivel mount pendant, or pendant cable and cord.. The fixtures are offered in 13W, 17W and 27W LED, DoB modules with a customized IC, highbred circuit on board with dimming down to 5% with most Triac and ELV dimmers or 0-10V dimming. Non-Isolated DoB, Direct AC technology has low heat, great reliability and has been designed for these fixtures to operate environments between -22° F to 104° F (-30° C to 40° C). Optional EM Drivers for emergency lighting are available.

### DESIGN FEATURES

#### Features

- All aluminum construction, powder coat painted in white, black or silver finish for harsh, weatherproof applications.
- 80 or 90 CRI with color temperatures in 3000K, 3500K or 4000K.
- Wet Location, IP65 Rated.
- Dimming with most Triac and ELV dimmers or 0-10V dimmers. **Warning:** Non-Isolated DoB fixtures cannot use 0-10V Electronic Relay Systems without incurring damage. For those type of Electronic Dimming Systems, order the Optional Isolation 0-10V Dongle: **DONGLE-ISO1.0**. 1 Dongle is used for each fixture dimmed.
- Optional Emergency Drivers are available.

#### Mounting

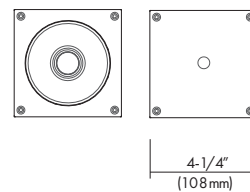
- Mount completely assembled fixture directly on a ceiling J-box.

#### Limited Warranty

- LED Module & Product: 3 years

#### Listing

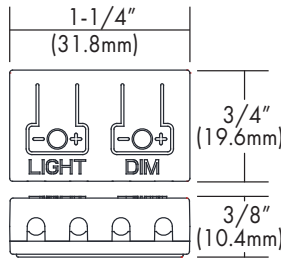
- cCSA-us Wet Location



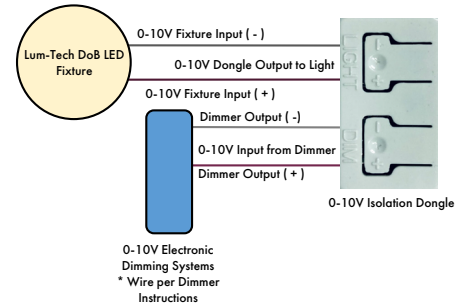
SPECIFICATION			
Input Voltage	13W (120V Only) 17W & 27W (120/277V)		
Wattage (+/- 5%)	13W	17W	27W
Lu m e n (+/- 5%)	1,190	1,415	2,110
Efficacy (LPW)	91.5	83.2	78.1
Beam Angle	42°	42.5°	49°
CRI (Typical)	80, 90		
CCT (Color +/-5%)	3000K, 3500K, 4000K		
Dimming	Triac, ELV or 0-10V**		
Environment	Wet Location		

○ 120V Approved Dimmers
* Lutron: Skylark S-600 : MRF2-6DN-120 : MACL-153M : DVLV-600P : SELV-300P : CTCL-153P : DVELV-303P : DVCL-153P
* Leviton: D600R, Acenti: Ate06, Trimatron #705W
* Cooper Devine incandescent dimmer 600W
* Pass&seymour harmony incandescent 600W For 0-10V Driver**
* Lutron: Nova 0-10V : NTFTV Diva 0-10V : DVTV
* Leviton: Decora 0-10V : IP710DL
* Consult tech. service or factory for additional dimmers **Consult with factory if you are not using the approved dimmers
<b>** WARNING: DO NOT USE 0-10V Electronic Relay Systems like Acuity nPP16 EFP or Creston GLXP-DIMFLV8-LP units with Lum-Tech DoB fixtures. If you want to use a 0-10V Electronic Relay System, order the optional DONGLE-ISO1.0 which will prevent damage to the fixtures.</b>

OPTIONS



0-10V Isolation Dingle Wiring Diagram for Electronic 0-10V Relay Systems

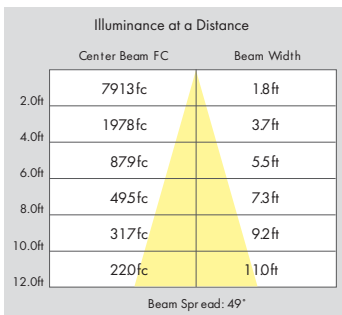
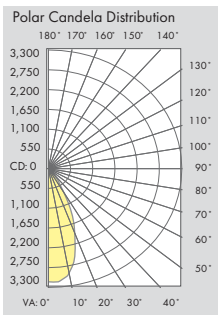
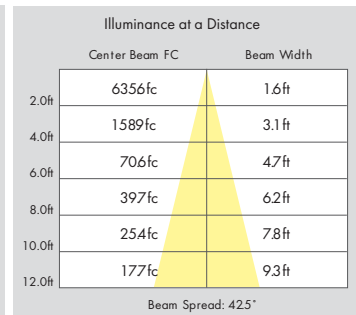
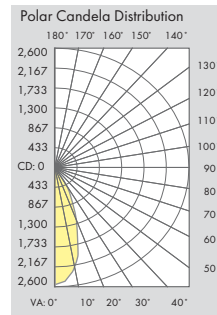
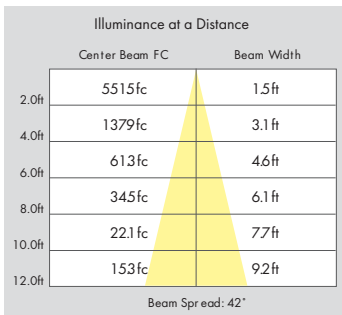
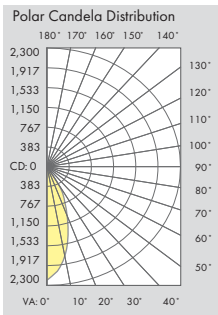


- PCELL = Photocell for Dusk to Dawn operation. Outdoor use ONLY.

- DONGLE-ISO1.0 = For use with 0-10V Electronic Relay Dimming Systems

PHOTOMETRIC REPORT

\* Contact Factory for IES File



Ordering Information

Model	-Pendant Style/Length	-Watts	-CRI	Color Temp.*	-Driver	-Housing Finish*	-Options
WCED-4SDC = Ceiling Mount	Place Style <i>before</i> length	-13 = 13W	-8 = 80 CRI	30 = 3000K	-DOB = LED DoB, TRIAC/ELV Dimming	-WH = White	-EM = Emergency Driver
WCED-4SDP = Pendant Mount	- = Standard Pendant	-17 = 17W	-9 = 90 CRI	35 = 3500K	-ZTDOB = LED DoB, 0-10V Dimming	-BK = Black	-DONGLE-ISO1.0 = For use with 0-10V Electronic Relay Dimming Systems. Use 1 Dingle for each fixture dimmed.
	- S = Swivel Mount Pendant	-27 = 27W		40 = 4000K		-SI = Silver	
	<b>Pendant Lengths</b>						
	3 = 3 Inches						
	6 = 6 Inches						
	12 = 12 Inches						
	18 = 18 Inches						
	24 = 24 Inches						
	36 = 36 Inches						
	48 = 48 Inches						
	<b>Cable and Cord Lengths</b>						
	C12 = 12 Inches						
	C24 = 24 Inches						
	C36 = 36 Inches						
	C50 = 50 Inches						
	C72 = 72 Inches						
	C120 = 120 Inches						

Example: WCED-4SDP-524-13-827-DOB-WH

\* Consult factory for other Color Temperatures and Finishes

