

# CDL2 SERIES OUTDOOR LIGHTING

CDL2-60CW  
CDL2-60NW  
CDL2-60WW

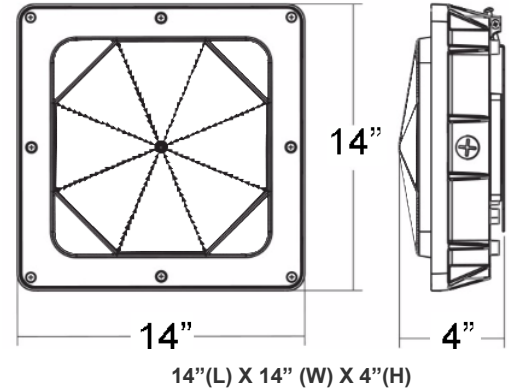
Customer Name: \_\_\_\_\_

Project Name: \_\_\_\_\_

Note: \_\_\_\_\_ Type: \_\_\_\_\_



Ideal for indoor parking lots, commercial buildings, schools, warehouses, retail centers, apartment complexes. Designed for 9 to 16-foot mounting.



## Features

- Housing: Die-cast aluminum with prismatic polycarbonate lens redesigned for LED
- Designed for 9 to 16 foot mounting heights
- Factory- Installed Options: Battery Backup, Motion Sensor
- 7-year warranty

## Technical Specifications

### Electrical:

- Input Wattage: 60W
- Input Current: 0.6A MAX
- Input Voltage: 120-277VAC 50/60Hz
- Power factor: >0.90
- Other wattages: 25W/ 45W/ 80W

### Mechanical:

- Die-cast aluminum with bronze
- Four 1/2" threaded hubs located on four sides of the housing
- Prismatic polycarbonate lens
- Lifespan: 70000 Hrs
- Operating temperature: -4°F ~ 104°F
- IP rating: IP65, Wet Locations

### Lighting:

- Dimming: 0~10V dimmable
- LED type/ Brand: SMD 3030/ Lumileds LEDs
- Total lumens: 7100 LM/ 7100 LM/ 7400 LM
- Color temperature: 3000K/ 4000K/ 5000K
- Color rendering index: >80
- Beam angle: 150°

### Applications:

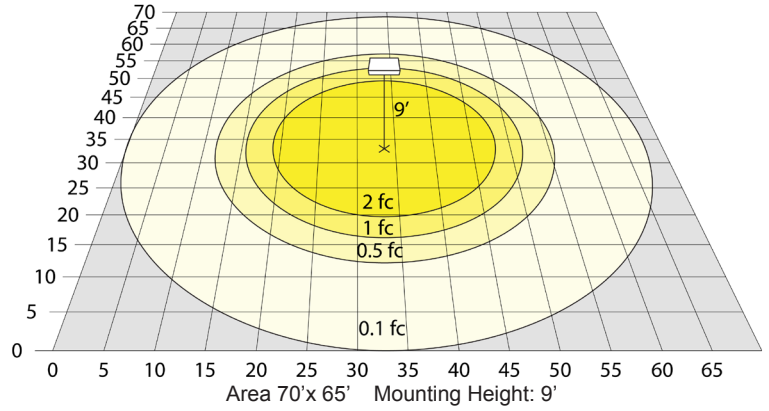
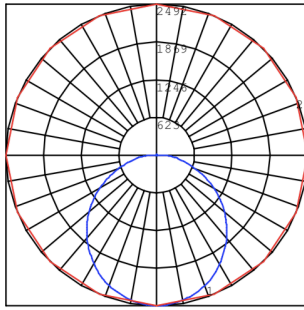
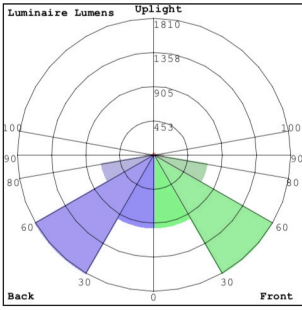
- Indoor Parking
- Commercial Buildings
- School
- Warehouses
- Complexes
- Apartment
- Garage

### Other Models:

- |                            |                            |                            |
|----------------------------|----------------------------|----------------------------|
| • 25W   2880LM   CDL2-25CW | • 45W   4400LM   CDL2-45CW | • 80W   9500LM   CDL2-80CW |
| • 25W   2800LM   CDL2-25NW | • 45W   4300LM   CDL2-45NW | • 80W   9400LM   CDL2-80NW |
| • 25W   2780LM   CDL2-25WW | • 45W   4200LM   CDL2-45WW | • 80W   9400LM   CDL2-80WW |



## Photometrics: CDL2-60W

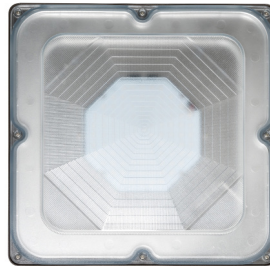


BUD Rating: B2-U2-G2

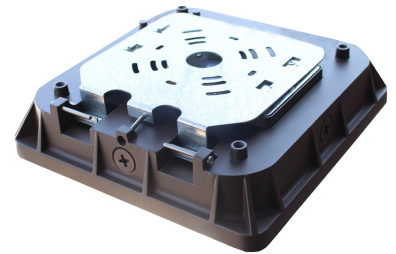
## Other Views:



Side View



Front View



Back View

## Performance Table: CDL2-60W

MODEL NO.	Wattage	Voltage	Lumens	Color Temp.	BUG Rating	LPW
CDL2-60CW	60W	120~277V	7400 LM	5000K	B2-U2-G2	123
CDL2-60NW	60W	120~277V	7100LM	4000K	B2-U2-G2	118
CDL2-60WW	60W	120~277V	7100LM	3000K	B2-U2-G2	118

## Sample Ordering

Model      Wattage      Color Temp.

-  -

WW = 5000K  
 NW = 4000K  
 CW = 5000K

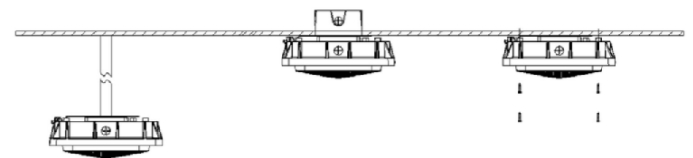
## Factory Installed Options

Blank = No Option For Factory-Installead  
 OPT-EM-OD1INT = INTERNAL EMERGENCY BACKUP BATTERY  
 OPT-SEN-3MR-4 = PROGRAMMABLE MICROWAVE BI-LEVEL SENSOR  
 OPT-PC-B = PHOTOCCELL  
 WEC-8RC= OPTIONAL REMOTE CONTROL  
 OPT-TRS-T20= TAMPER RESISTANT SCREW

## SENSOR AND REMOTE CONTROL OPTIONS



## MOUNTING OPTIONS



## Example:

- CDL2-60CW
- CDL2-60CW  
WEC-8RC
- CDL2-60CW  
WEC-8RC  
OPT-SEN-3MR-4

(CDL2 60W 5000K fixture 120V-277V)

(CDL2 60W 5000K fixture 120V-277V)  
(Remote Control)

(CDL2 60W 5000K fixture 120V-277V)  
(Remote Control)  
(Programmable Microwave Bi-Level)



Phone: (877) 805-2252 | Fax: (877) 805-2252  
www.westgatemfg.com | www.westgatecontrols.co

