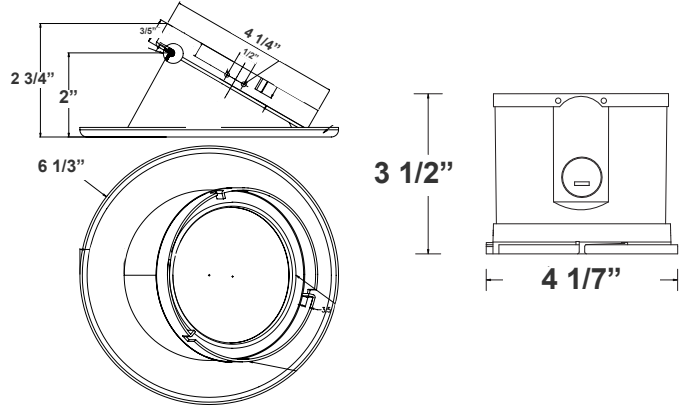


# CRLC SERIES COMMERCIAL INDOOR LIGHTING

**WESTGATE**  
THE FUTURE IS HERE...AND IT'S QUITE BRIGHT!

CRLC4-20W-MCT-A-D  
CRLC4-20W-MCT-A-D-WH  
4" LED COMMERCIAL RECESSED LIGHT

Customer Name: \_\_\_\_\_  
Project Name: \_\_\_\_\_  
Note: \_\_\_\_\_ | Type: \_\_\_\_\_



2 3/4" (H) X 4 1/4" (W) X 6 1/3" (D)

Ideal for hotel, offices, retail outlets, restaurant, parking garages, conference room, education facilities and more.

## Features

- 4" Haze & White Finish TRIM
- MCT: The switch is on the light engine
- Mounting Options: Recessed
- 5-Year Warranty
- Lifespan: 50,000 hrs.

## Technical Specifications

### Electrical:

- Voltage: 120-277VAC 50/60Hz
- Wattage: 20W
- Power factor: >0.90
- Efficacy: 85 LPW

### Mechanical:

- 4" Haze & White Finish TRIM
- Mounting Options: Recessed
- Temperature Rating: Designed to operate in temperatures 113°F
- No IC-Rated
- Suitable for Damp Locations
- 5-Year Warranty

### Lighting:

- MCT: The switch is on the light engine
- Dimming: 0~10V Dimmable
- Total lumens: 1720LM
- Color temperature: 3000K/4000K/5000K
- Color rendering index: >80
- Lifespan: 50,000 hrs.

### Applications:

- Ideal for hotel, offices, retail outlets, restaurant, parking garages, conference room, education facilities and more.

### Other Models:

- 15W | 1275LM | CRLC4-15W-MCT-A-D
- 15W | 1275LM | CRLC4-15W-MCT-A-D-WH

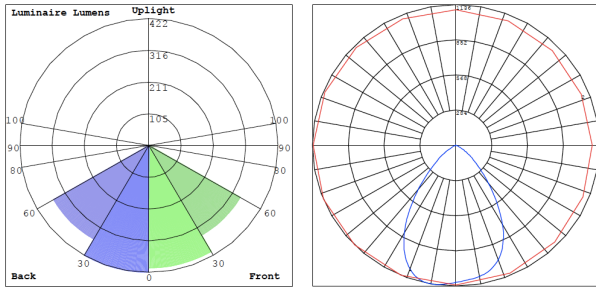


Phone: (877) 805-2252 | Fax: (877) 805-2252  
www.westgatemfg.com

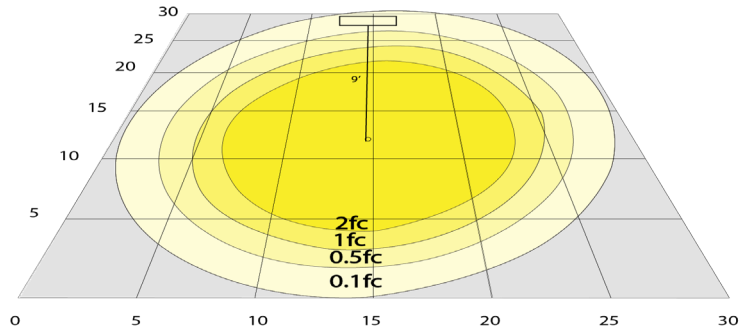


WG-Z7-2D-2Z

# Photometrics: CRLC4-20W-MCT-A-D



BUG Rating: B1-U1-G0



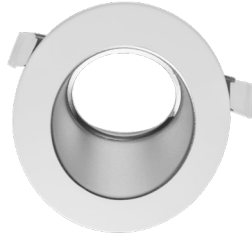
20W 5000K, Area 30" x 30" Mounting Height: 9'

## Other Views:

Hazel



CRLC-EGN-20W-MCT-D



CRLC-TRM-4A



CRLC4-20W-MCT-A-D

White



CRLC-EGN-20W-MCT-D



CRLC-TRM-4A-WH



CRLC4-15W-MCT-A-D-WH

## Performance Table: CRLC4-15W-MCT-A-D

MODEL NO.	Wattage	Voltage	Lumens	Color Temp.	BUG Rating	LPW
CRLC4-20W-MCT-A-D	20W	120-277V	1720LM	3000K	B1-U1-G0	85
CRLC4-20W-MCT-A-D-WH				4000K		
				5000K		

## Sample Ordering

Model Watt Color Temp. Dimming Housing

CRLC4 - 20W - MCT - A - D - [ ]

### Accessory:

Blank = No Option For Accessories  
 RSL4-RI = 4" ROUND ROUGH-IN PLATE, 26" LONG  
 RSL4-RI-13 = 4" ROUND ROUGH-IN PLATE, 13" LONG

### Factory-Installed Option:

Blank = No Option For Accessories  
 OPT-EM-HB1EXT = EXTERNAL EMERGENCY BACK UP BATTERY

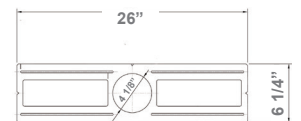
### Example:

- 1. CRLC4-20W-MCT-A-D (FOR 20W CRLC4 MCT 120-277V)
- 1. CRLC4-20W-MCT-A-D OPT-EM-HB1EXT (FOR 20W CRLC4 MCT 120-277V) (EXTERNAL EMERGENCY BACK UP BATTERY)

### Accessory:



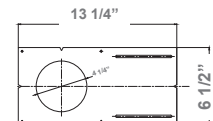
RSL4-RI  
4" ROUND ROUGH-IN PLATE, 26" LONG



RSL4-RI  
26"(W) x 6 1/4"(H)



RSL4-RI-13  
4" ROUND ROUGH-IN PLATE, 13" LONG



RSL4-RI-13  
13 1/4"(W) x 6 1/2"(H)

### Factory-Installed Option:



OPT-EM-HB1EXT  
EXTERNAL EMERGENCY BACK UP BATTERY

