

CRLC SERIES COMMERCIAL INDOOR LIGHTING

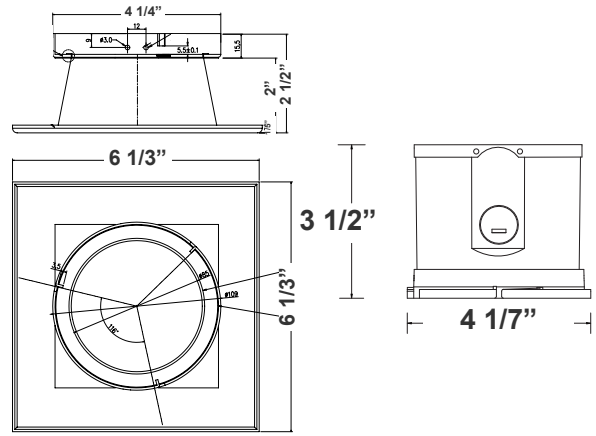
WESTGATE
THE FUTURE IS HERE...AND IT'S QUITE BRIGHT!

CRLC4-20W-MCT-SA-D
CRLC4-20W-MCT-SA-D-WH
4" LED COMMERCIAL SQUARE & OPEN RECESSED LIGHT

Customer Name: _____

Project Name: _____

Note: _____ Type: _____



4" (H) X 6 1/3" (W)

Ideal for hotel, offices, retail outlets, restaurant, parking garages, conference room, education facilities and more.

Features

- 4" Haze & White Finish TRIM
- MCT: The switch is on the light engine
- Mounting Options: Recessed
- 5-Year Warranty
- Lifespan: 50,000 hrs.

Technical Specifications

Electrical:

- Voltage: 120-277VAC 50/60Hz
- Wattage: 20W
- Power factor: >0.90
- Efficacy: 85 LPW

Mechanical:

- 4" Haze & White Finish TRIM
- Mounting Options: Recessed
- Temperature Rating: Designed to operate in temperatures 113°F
- No IC-Rated
- Suitable for Damp Locations
- 5-Year Warranty

Lighting:

- MCT: The switch is on the light engine
- Dimming: 0~10V Dimmable
- Total lumens: 1720LM
- Color temperature: 3000K/4000K/5000K
- Color rendering index: >80
- Lifespan: 50,000 hrs.

Applications:

- Ideal for hotel, offices, retail outlets, restaurant, parking garages, conference room, education facilities and more.

Other Models:

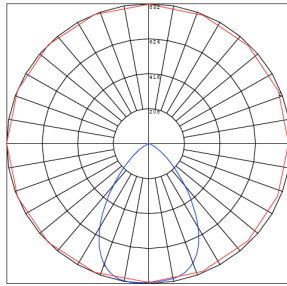
- 15W | 1275LM | CRLC4-15W-MCT-SA-D
- 15W | 1275LM | CRLC4-15W-MCT-SA-D-WH



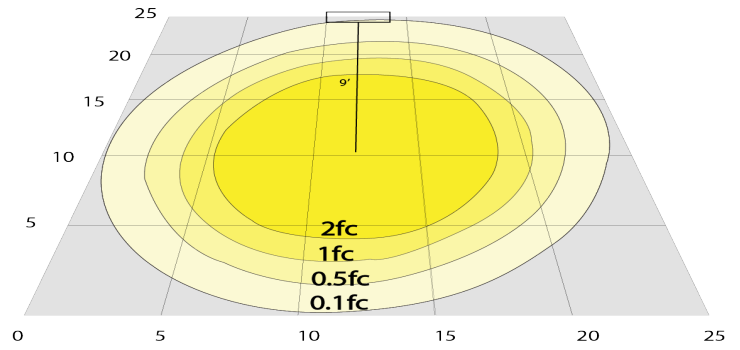
Phone: (877) 805-2252 | Fax: (877) 805-2252
www.westgatemfg.com



Photometrics: CRLC4-20W-MCT-SA-D



BUG Rating: B1-U1-G0



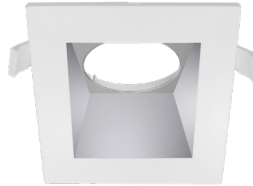
20W 5000K, Area 25" x 25" Mounting Height: 9'

Other Views:

Hazel



CRLC-EGN-20W-MCT-D



CRLC-TRM-4SA



CRLC4-20W-MCT-SA-D

White



CRLC-EGN-20W-MCT-D



CRLC-TRM-4SA-WH



CRLC4-20W-MCT-SA-D-WH

Performance Table: CRLC4-20W-MCT-SA-D

MODEL NO.	Wattage	Voltage	Lumens	Color Temp.	BUG Rating	LPW
CRLC4-20W-MCT-SA-D	20W	120-277V	1720LM	3000K	B1-U1-G0	85
CRLC4-20W-MCT-SA-D-WH				4000K		
				5000K		

Sample Ordering

Model Watt Shape Dimming Housing

CRLC4 - 20W - MCT - SA - D -

Blank
WH = WHITE

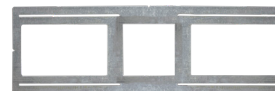
Accessory:

Blank = No Option For Accessories
SSL4-RI = 4" SQUARE ROUGH-IN PLATE, 26" LONG

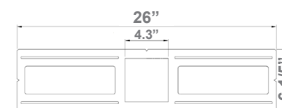
Factory-Installed Option:

Blank = No Option For Accessories
OPT-EM-HB1EXT = EXTERNAL EMERGENCY BACK UP BATTERY

Accessory:



SSL4-RI
4" SQUARE ROUGH-IN
PLATE, 26" LONG



SSL4-RI
26"(W) x 6 1/5"(H)

Factory-Installed Option:



OPT-EM-HB1EXT
EXTERNAL EMERGENCY
BACK UP BATTERY

Example:

1. CRLC4-20W-MCT-SA-D (FOR 20W CRLC4 MCT 120-277V)

1. CRLC4-20W-MCT-SA-D OPT-EM-HB1EXT (FOR 20W CRLC4 MCT 120-277V)
(EXTERNAL EMERGENCY BACK UP BATTERY)

