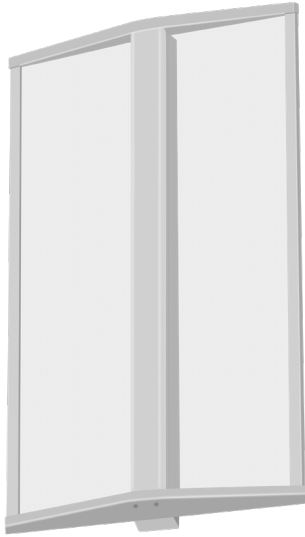


CWS-18-MCTP

COMMERCIAL AND WAITING-ROOM INDOOR WALL SCENCE AND SUSPENDED LIGHTS

MCTP Multi Color Temperature & Multi Power/Wattage (Selectable)



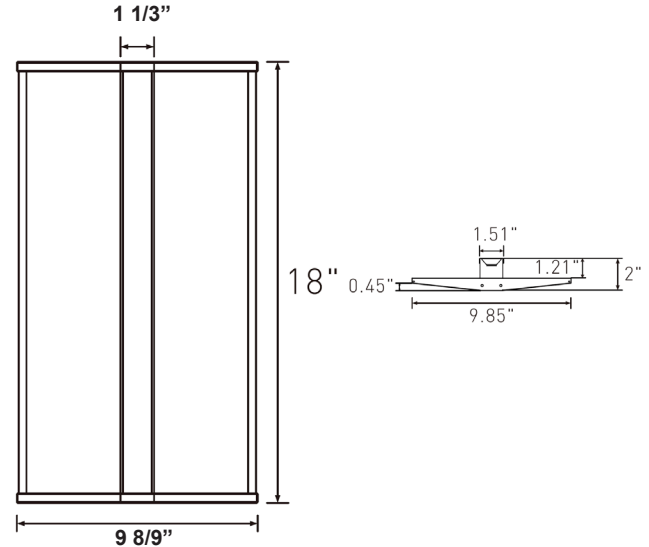
This indoor commercial lighting is ideal for hotels, offices, retail outlets, restaurants, parking garages, storage rooms, conference rooms, education facilities, and more.

Customer Name: _____

Project Name: _____

Note: _____

Type: _____



18"(H) x 9 8/9"(W) x 2"(D)

Features

- Incorporates Soft And Wide Edge-lit Illumination For A Uniform And Expansive Lighting Experience
- No Infrared Rays, No Ultraviolet Radiation, No Thermal Effect
- No Flickering, No Humming, No RF Interference
- Multi Color Temperature & Multi Power (Selectable Switch on Back of Fixture)

Technical Specifications

Electrical:

- Voltage: AC120V-277V 50/60Hz
- Power Factor: >0.90
- Wattage: 10W/15W/20W
- Fixture Operating Voltage: 36VDC
- Rated Input Current (mA): 337/ 253/ 168mA
- Total Harmonic Distortion: ≤ 20 %
- Efficacy: 85LPW

Mechanical:

- Aluminum Housing, White Finish
- Coupling Bracket Included
- External Driver Mounted On Top
- Operating Temperature: -68°F~104°F
- IP Rating: IP20 (Indoor use only)
- 5-Year Warranty

Lighting:

- Multi Color Temperature & Multi Power (Selectable Switch on Back of Fixture)
- Dimmable: 0~10V Dimming
- Total Lumens: 1700LM
- Color Temperatures: 3500K/4000K/5000K
- Multi CCT & Multi Power (selectable Switch on Back of Fixture)
- Color Rendering Index: CRI ≥ 80
- Beam Angle: 360°
- Rated life: 50,000 hrs

Applications:

- Ideal for hotel, offices, retail outlets, restaurant, parking garages, storage room, conference room, education facilities and more

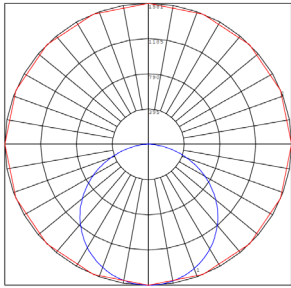
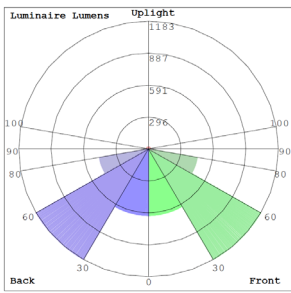
Other Models:

• 20W | 1700LM | CWS-12-MCTP

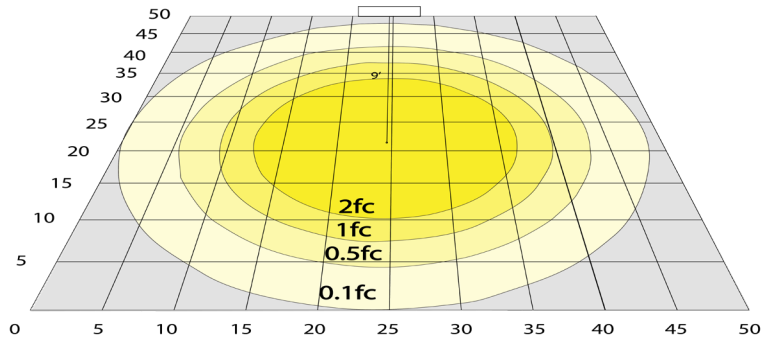
• 40W | 3400LM | CWS-48-MCTP



Photometrics: CWS-18-MCTP

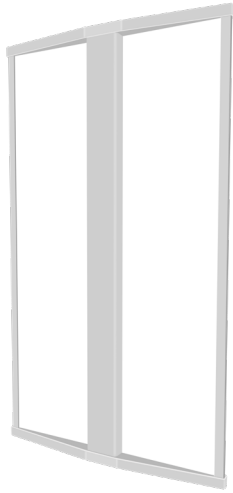


BUD Rating: B2-U2-G1



Simulation Based on 4000K Area 50'x 50' Mounting Height: 9'

Other Views:



Side View



Front View



Wall Mounted View

Performance Table: CWS-18-MCTP

MODEL NO.	Wattage	Voltage	Lumens	Color Temp.	BUG Rating	LPW
CWS-18-MCTP	10W	120~277V	850LM	3000K	B2-U2-G1	85
	15W		1275LM	3500K		
	20W		1700LM	4000K		

Sample Ordering

Model Size Color Temp.

CWS - 18 - MCTP

Factory-Installed Options:

Blank = No Option For Accessories
 OPT-EM-LP= EXTERNAL EMERGENCY BACKUP BATTERY
 OPT-FWH-63= 6FT 3-WIRE WHIP
 OPT-FWH-65= 6FT 5-WIRE WHIP
 OPT-FWH-66= 6FT 6-WIRE WHIP

FACTORY-INSTALLED OPTIONS:



OPT-EM-LP



OPT-FWH-63
 OPT-FWH-65
 OPT-FWH-66

