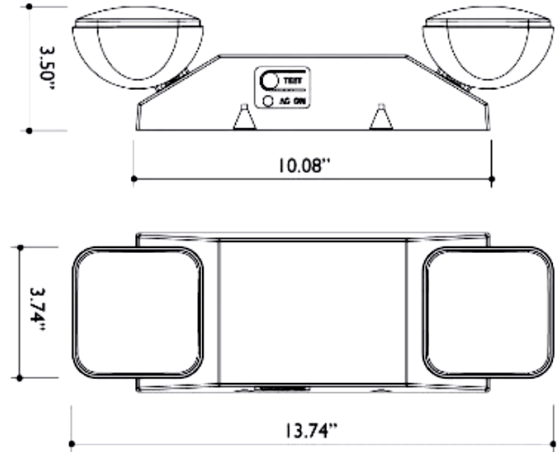




DIMENSIONS:



EL-1L-RC

LED EMERGENCY LIGHTS WITH HIGHER OUTPUT

ELECTRICAL SPECIFICATIONS:

- Voltage: Dual 120-277V
- Wattage: 1.2W per Head

HOUSING SPECIFICATIONS:

- Injection-molded thermoplastic ABS housing
- Surface mount with top and side knockout for conduit
- Two fully adjustable LED heads
- Low profile compact design, available in white or black housing
- Two fully adjustable 1.2W, glare-free LED lamp heads for safe egress
- Remote Capable
- Mount: Wall and Ceiling
- Suitable for damp location

CERTIFICATIONS: UL



MODEL	WATTS	VOLTAGE	NUMBER OF HEADS	BATTERY	HOUSING
EL-1L-RC	1.2W per Head	Dual 120-277V	2	Ni-Cad	White

TECHNICAL SPECIFICATIONS:

- Solid state electronics and charger board
- Push-to-test switch
- Specification grade exit with Premium high-output ultra bright LEDs
- Built-in 3.6V 2000mAh Nickel Cadmium Battery for 90-minutes operation. Remote Capable up to 2.2W
- 90-minute EM-rated with push style test switch and red indicator light
- Max 24 hrs to full recharge

WARRANTY: 3 years

- Meets UL924, NFPA101 life safety code, Local and State codes, NEC, OSHA

