

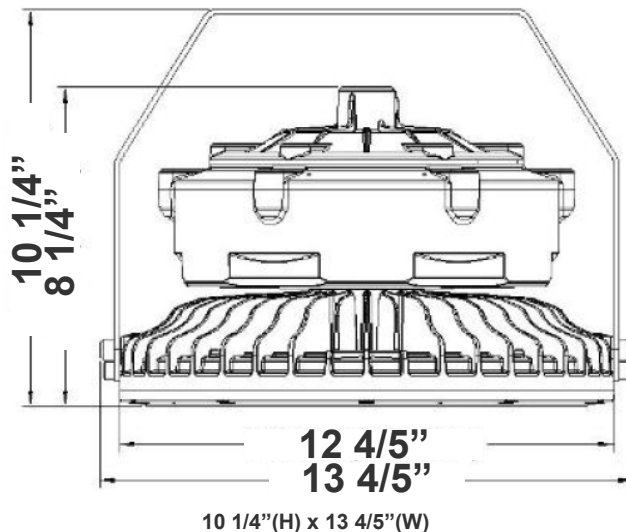
EXPR-100W-50K  
HAZARDOUS LOCATION FLOOD/HIGHBAY LIGHTS



Customer Name: \_\_\_\_\_

Project Name: \_\_\_\_\_

Note: \_\_\_\_\_ Type: \_\_\_\_\_



Ideal for Stadium lighting, Sports fields, parking lots, docks ,railway and container yards, Architectural lighting, Industrial and commercial exterior lighting, trade shows, exhibitions

## Features

- UL ANSI/UL 844, "Luminaires for Use in Hazardous (Classified) Locations."
- UL E503444 Class I, Division 2, Groups A, B, C and D, Luminaires for HazLoc
- 7-year Warranty
- Lens: Clear Glass
- Aluminum Alloy Housing
- LED: Samsung / SMD 2835(0.5W)

## Technical Specifications

### Electrical:

- Voltage: 120-277V AC 60Hz
- Wattage: 100W
- Power Factor: >0.90
- THD: ≤20%
- Efficacy: 153LPW

### Mechanical:

- Aluminum Alloy Housing
- Gray Finish
- 3/4" Threaded KO On Top
- Cord type: 3' SJTW 18/3 AWG Cable
- Operating Temperature: -40°F to 176°F
- IP Rating: IP66, Suitable for Wet Locations
- 7-year Warranty

### Lighting:

- Lens: Clear Glass
- LED: Samsung / SMD 2835(0.5W)
- Total lumens: 15300LM
- Color Temperatures: 5000K
- Color Rendering Index: CRI ≥ 84
- Rated Life: 70,000 Hrs
- Beam Angle: 100°

### Applications:

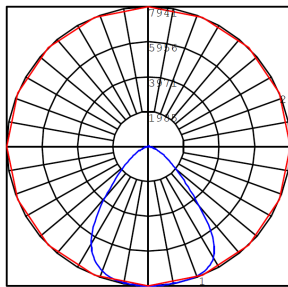
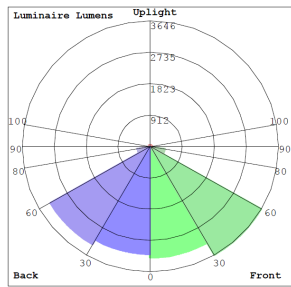
- Warehouse, Factory And Workshops;
- Petroleum and Petrochemical Area, And Gas Station;
- Power, Railway, Ship Port, Public Security, Fire Protection And Other Fields

### Other Models:

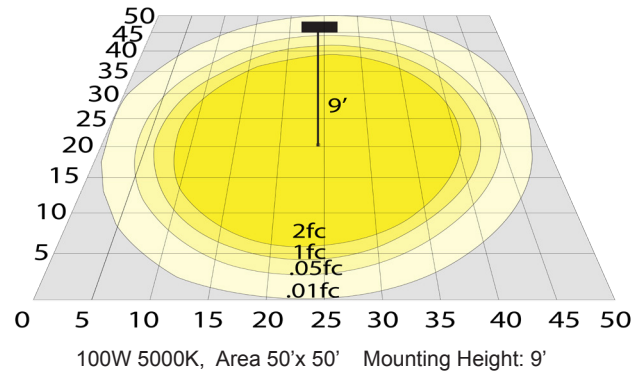
- 30W | 4380LM | EXPR-30W-50K • 60W | 8580LM | EXPR-60W-50K • 150W | 23250LM | EXPR-150W-50K



## Photometrics: EXPR-100W-50K



BUG Rating: B4-U2-G1



## Other Views:



Side View



Lens View



Back View

## Performance Table: EXPR-100W-50K

MODEL NO.	Wattage	Voltage	Lumens	Color Temp.	BUG Rating	LPW
EXPR-100W-50K	100W	120~277V	15300LM	5000K	B3-U2-G1	153

## Sample Ordering

**Model**      **Watt**    **Color Temp.**

EXPR - 100W - 50K

## Accessories:

Blank = No Option For Accessories

EXPR-100-150W-WGF = Flat Wire Guard For EXPR 100W To 150W

EXPR-100-150W-LD = Dome Lens For EXPR 100W To 150W

EXPR-100-150W-WGD = Dome Wire Guard For 100W To 150W

## ACCESSORIES:



EXPR-100-150W-WGF



EXPR-100-150W-LD

