

FDL-12-MCT



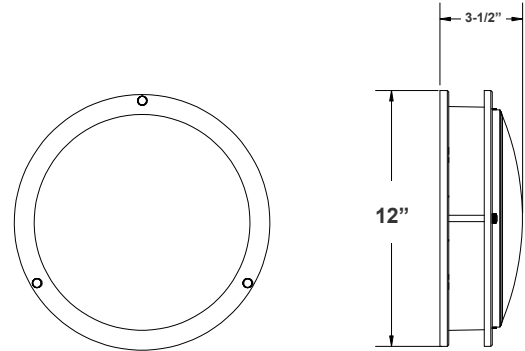
The LED Flush Mount Surface Fixture is a low profile downlight intended for ceiling or wall mount applications. Driver on Board (DOB) technology, with no driver or transformer needed. These flush mount ceiling lights mount directly to a 4" deep dish junction box ideal for Residential and commercial applications.

Customer Name: \_\_\_\_\_

Project Name: \_\_\_\_\_

Note: \_\_\_\_\_

Type: \_\_\_\_\_



12" (W) x 3-1/2" (H)

## Features

- Construction: Spun Aluminum + Steel (Brushed Nickel Finish)
- Optics: White Translucent Acrylic Lens
- 5-Year Warranty
- 50,000 Hours Rated Life
- MCT: Multi Color Temperature (Selectable with Switch Inside Fixture)
- High Lumens

## Technical Specifications

### Electrical:

- Voltage: 120V AC
- Wattage: 15W
- Power Factor: >0.9
- Efficacy: 73 LPW

### Mechanical:

- Optics: White Translucent Acrylic Lens
- Construction: Spun aluminum Steel (Brushed Nickel Finish)
- Gasket: Closed Cell Neoprene Foam Gasket
- Operating Temp: -4°F~104°F
- Suitable for Damp Locations When Gasket is Used

### Lighting:

- Dimmable Down to 10% Using a Standard TRIAC LED Dimmer
- Total Lumens: 1100LM
- Color Temperatures: 3000K/4000K/5000K
- Multi-CCT (selectable with switch is on the LED Board Under the Lens)
- Color Rendering Index: CRI ≥ 80
- IP Rating: IP20

### Applications:

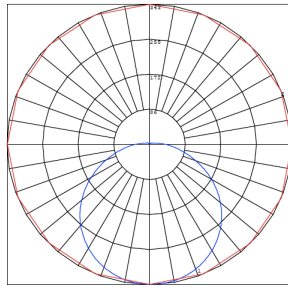
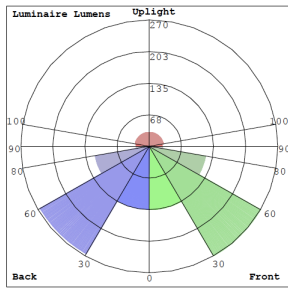
- The LED Flush Mount Surface Fixture is a low profile down light intended for ceiling or wall mount applications. Driver on Board (DOB) technology, with no driver or transformer needed. These flush mount ceiling lights mount directly to a 4" deep dish junction box ideal for Residential and commercial applications

### Other Models:

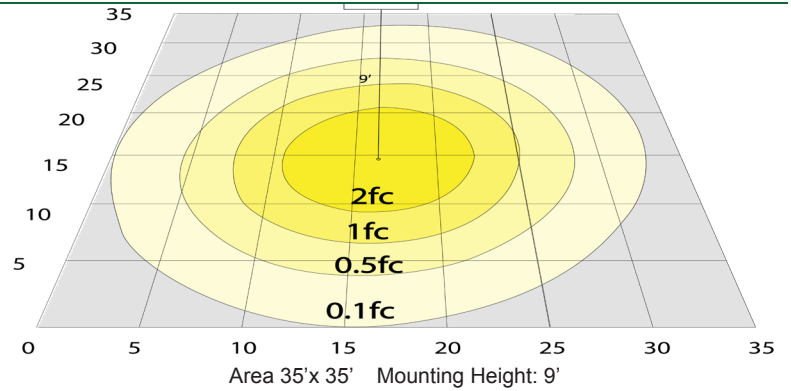
- 20W | 1400LM | FDL-14-MCT
- 25W | 1800LM | FDL-16-MCT
- 30W | 2200LM | FDL-18-MCT



## Photometrics: FDL-12-MCT



BUD Rating: B1-U2-G1



## Other Views:



Side View



Front View



Back View

## Performance Table: FDL-12-MCT

MODEL NO.	Wattage	Voltage	Lumens	Color Temp.	BUG Rating	LPW
FDL-12-MCT	15W	120V	1100LM	3000K 4000K 5000K	B1-U2-G1	73

## Sample Ordering

Model Size Color Temp.

FDL - 12 - MCT

## Factory-Installed Options:

Blank = No Option For Accessories

OPT-FDL-12-EM= EMERGENCY BACKUP BATTERY MOUNT IN EXTENDED BASE

OPT-SEN-2US= ULTRASONIC BI-LEVEL DIMMING (REMOTE NOT NEEDED)

WEC-3RC= OPTIONAL REMOTE CONTROL

## FACTORY-INSTALLED OPTIONS:



OPT-FDL-12-EM



OPT-SEN-2US



WEC-3RC

## Example:

1. FDL-12-MCT (FOR FDL 15W MCT FIXTURE 120V)
2. FDL-12-MCT OPT-FDL-12-EM (FOR FDL 15W MCT FIXTURE 120V) (EMERGENCY BACKUP BATTERY MOUNT IN EXTENDED BASE)

