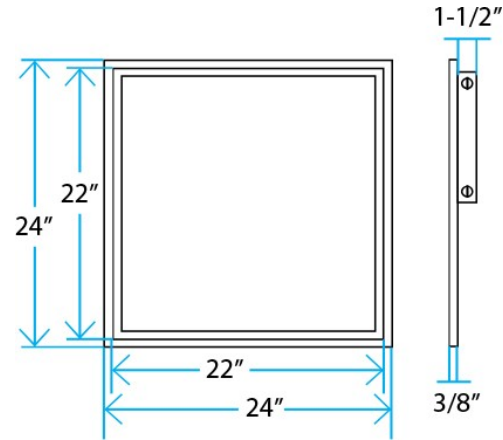


Clips located on top of panel

DIMENSIONS:

24"(W) x 24"(L) x 1-7/8"(H)



- LP-2X2-45W-50K-D
- LP-2X2-45W-40K-D
- LP-2X2-45W-35K-D
- LP-2X2-45W-27K-D

LED Panel Lights (2X2)

Superb brightness, soft and wide light emitting panel lights that use 75% less energy than traditional panel lights.

ELECTRICAL SPECIFICATIONS:

- Input Wattage: 45W
- Input Voltage: 100-277VAC 50/60Hz
- Power factor: >0.9
- Efficacy: 100LM/W~115LM/W

HOUSING SPECIFICATIONS:

- Ultra slim design, only 1-7/8" thick
- Lifespan: 50000 Hrs.
- IP rating: Damp Rated
- Operating temperature: -4°F~113°F

CERTIFICATIONS: UL, DLC (Except 27K)



MODEL	WATTS	VOLTAGE	LUMENS	COLOR TEMP
LP-2X2-45W-50K-D	45W	100~277V AC	5175LM	5000K
LP-2X2-45W-40K-D	45W	100~277V AC	5175LM	4000K
LP-2X2-45W-35K-D	45W	100~277V AC	4950LM	3500K
LP-2X2-45W-27K-D	45W	100~277V AC	4500LM	2700K



LP-SRFC-2X2



LP-SSPD-2X2



ELB-1248-EXTR

MODEL	DESCRIPTION
LP-SRFC-2X2	SURFACE MOUNTING KIT (WHITE ALUMINUM FRAME)
LP-SSPD-2X2	ADJUSTABLE AIRCRAFT SUSPENSION CABLE (5FT MAX)
ELB-1248-EXTR	FIELD-INSTALLED EMERGENCY BALLAST

LIGHTING SPECIFICATIONS:

- Dimming: 0~10V dimmable
- LED type/brand: SMD4014
- Total lumens: 4500LM, 4950LM and 5175LM
- Color temperature: 2700K / 3500K / 4000K / 5000K
- Color rendering index: >82

WARRANTY: 5 years



LP-2X2-45W-50K-D LP-2X2-45W-40K-D

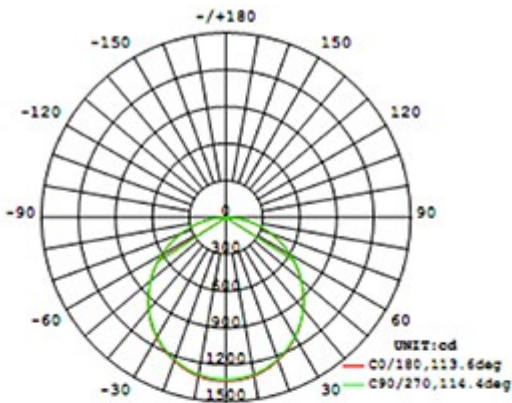
LP-2X2-45W-35K-D LP-2X2-45W-27K-D

LED Panel Lights (2X2)

CERTIFICATIONS: UL, DLC (Except 27K)



PHOTOMETRICS:



AVERAGE BEAM ANGLE (50%): 114.0 DEG

Flux out: 2828 lm

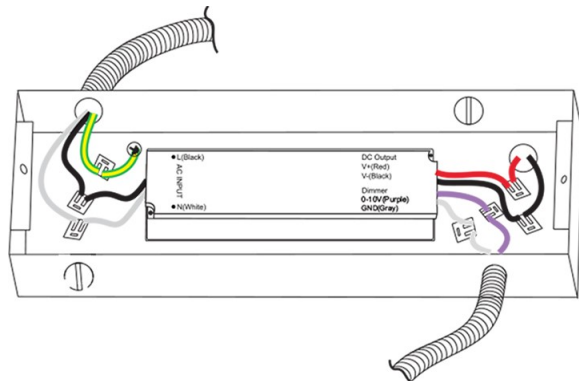
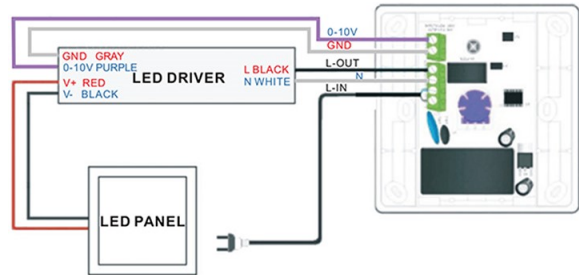
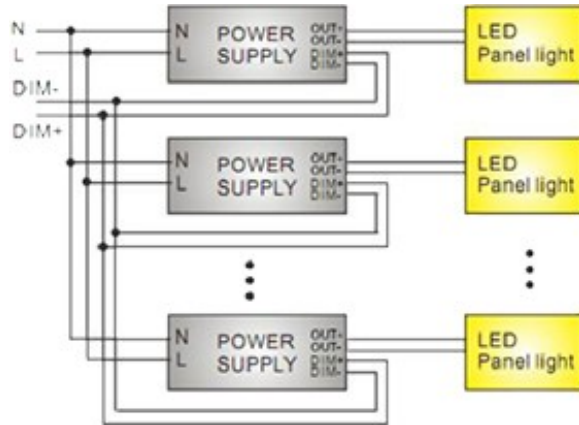
Height	Eavg, Emax	Angle: 113.62deg	Diameter
1m	379.6, 1331.1x		305.74cm
2m	94.90, 332.81x		611.49cm
3m	42.18, 147.91x		917.23cm
4m	23.72, 83.201x		1222.97cm
5m	15.18, 53.251x		1528.72cm

Note: The Curves indicate the illuminated area and the average illumination when the luminaire is at different distance.

MODEL	WATTS	VOLTAGE	LUMENS	COLOR TEMP
LP-2X2-45W-50K-D	45W	100~277V AC	5175LM	5000K
LP-2X2-45W-40K-D	45W	100~277V AC	5175LM	4000K
LP-2X2-45W-35K-D	45W	100~277V AC	4950LM	3500K
LP-2X2-45W-27K-D	45W	100~277V AC	4500LM	2700K

WIRING DIAGRAM:

Installation with 0~10V Dimmable Driver:



LP-2X2-45W-50K-D LP-2X2-45W-40K-D

LP-2X2-45W-35K-D LP-2X2-45W-27K-D

LED Panel Lights (2X2)

CERTIFICATIONS: UL, DLC (Except 27K)

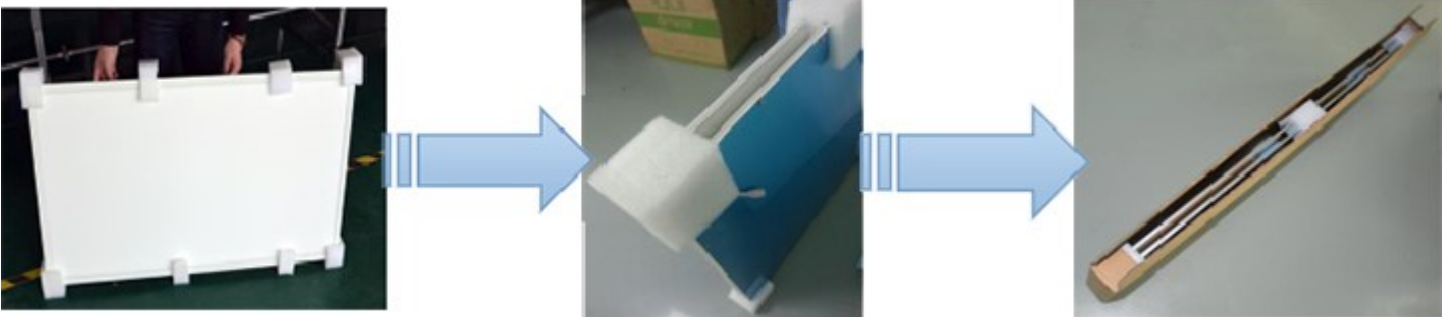
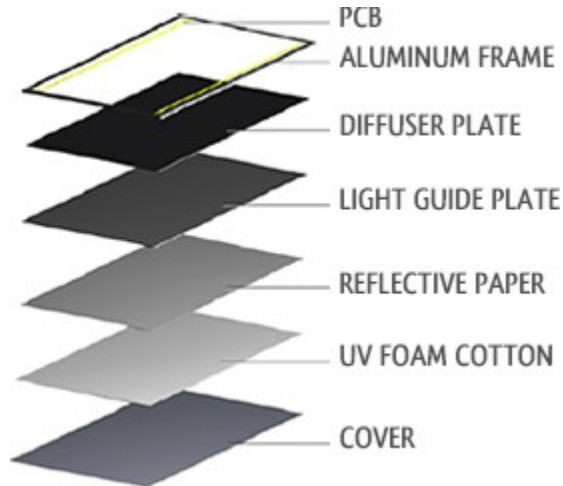


PACKAGING:

PART NO.	PACKAGE DIMENSION	N.W.	G.W.
LP-2x2 24"X24"X1.875"	26" X 4.3" X 26" 2pcs/carton	10.4 lb/pc	21.6 lb/ctn
LP-1X4 12"X48"X1.875"	50" X 4.3" X 14" 2pcs/carton	10.4 lb/pc	24.5 lb/ctn
LP-2X4 24"X48"X1.875"	50" X 4.3" X 26" 2pcs/carton	19.6 lb/pc	41 lb/ctn

MODEL	WATTS	VOLTAGE	LUMENS	COLOR TEMP
LP-2X2-45W-50K-D	45W	100~277V AC	5175LM	5000K
LP-2X2-45W-40K-D	45W	100~277V AC	5175LM	4000K
LP-2X2-45W-35K-D	45W	100~277V AC	4950LM	3500K
LP-2X2-45W-27K-D	45W	100~277V AC	4500LM	2700K

STRUCTURE:



WARNING:

- Please use product within the specified range of voltage.
- Please follow the correct installation steps to install the product, and do not touch when it is switched on
- Please turn power off during installation and removal to avoid risk of electric shock.
- Please install the panel in the correct sized fixture.
- Do not look directly at LED light source for a long time.



LP-2X2-45W-50K-D LP-2X2-45W-40K-D

LP-2X2-45W-35K-D LP-2X2-45W-27K-D

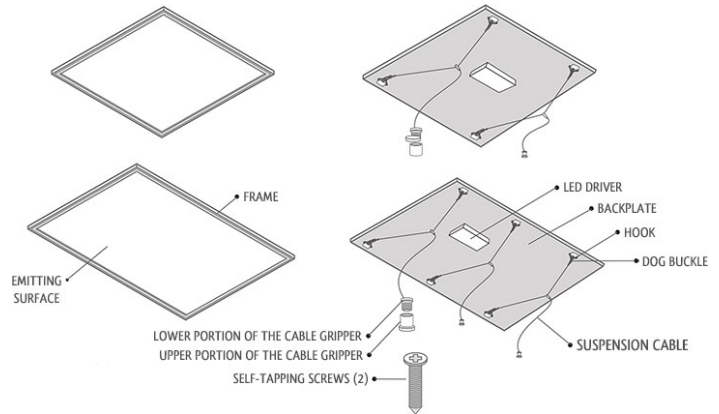
LED Panel Lights (2X2)

CERTIFICATIONS: UL, DLC (Except 27K)



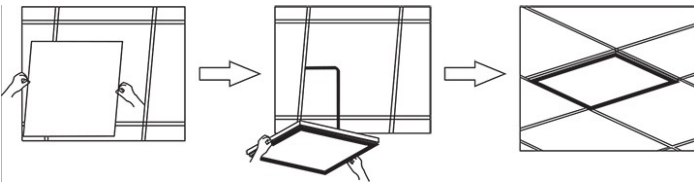
MODEL	WATTS	VOLTAGE	LUMENS	COLOR TEMP
LP-2X2-45W-50K-D	45W	100~277V AC	5175LM	5000K
LP-2X2-45W-40K-D	45W	100~277V AC	5175LM	4000K
LP-2X2-45W-35K-D	45W	100~277V AC	4950LM	3500K
LP-2X2-45W-27K-D	45W	100~277V AC	4500LM	2700K

Hang panel with LP-SSPD-2X2 - Adjustable Aircraft Cable Suspension Kit



INSTALLATION OPTIONS:

Drop panel into existing ceiling panel mount



Install panel into LP-SRFC-2x2 - Surface Mounting Kit (White Frame)

