

LED OUTDOOR LARGE WALL LANTERN



MCT5

Selection:



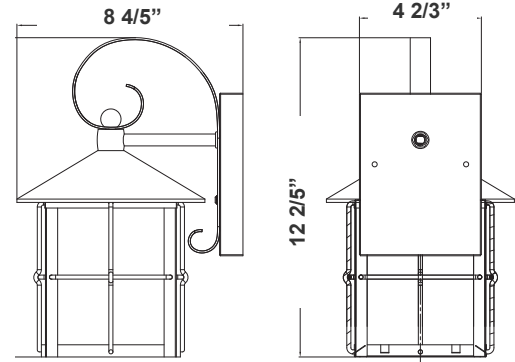
LED Outdoor Wall Lantern with aluminum housing & powder-coated finish, acrylic diffuser. Ideal for general site lighting, residential buildings, doorway, pathway and parking areas.

Customer Name: _____

Project Name: _____

Note: _____

Type: _____



8 4/5"(W) x 12 2/5"(H) x 4 2/3"(D)

Features

- Aluminum Housing and Steel Back Plate
- Clear Water Glass on 4 sides, Open Bottom
- Powder-Coated Black Finish
- 7-Year Warranty
- Multi CCT Switch is Inside Fixture

Technical Specifications

Electrical:

- Voltage: 120V AC 60Hz
- Wattage: 12W
- Power Factor: >0.90
- Efficacy: 100 LPW

Mechanical:

- Aluminum Housing and Steel Back Plate
- Powder-Coated Black Finish
- Clear Water Glass on 4 sides, Open Bottom
- Operating Temperature: -4°F to 104°F
- Wet Location
- 7-Year Warranty
- IP42, Suitable for outdoor use

Lighting:

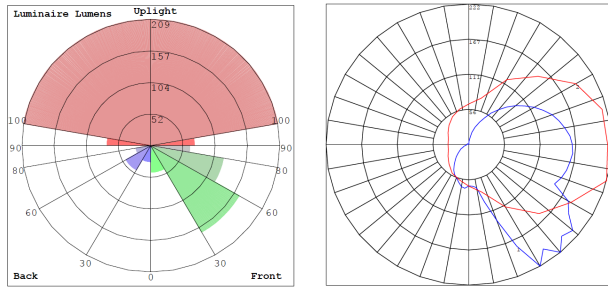
- Total Lumens: 1200LM
- Color Temperatures: 2700K/3000K/3500K/4000K/5000K
- Color Rendering Index: CRI ≥ 80
- Beam Angle: 90° x 110°
- Rated life: 70,000 Hrs

Applications:

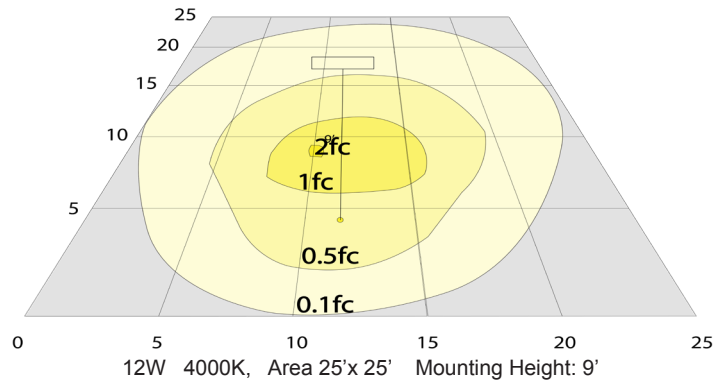
- LED Outdoor Wall Lantern with aluminum housing & powder-coated finish, acrylic diffuser. Ideal for general site lighting, residential buildings, doorway, pathway and parking areas.



Photometrics: LRS-L-MCT5-BK



BUD Rating: B0-U3-G1



Other Views:



Side View



Front View



Back View

Performance Table: LRS-L-MCT5-BK

MODEL NO.	Wattage	Voltage	Lumens	Color Temp.	BUG Rating	LPW
LRS-L-MCT5-BK	12W	120V	1200LM	2700K 3000K 3500K 4000K 5000K	B0-U3-G1	100

Sample Ordering

Model Color Temp. Housing
 - - -

Other Model:



PML-MCT-BK

