

# LRS SERIES Outdoor Lighting

LRS-O2-MCT-B6  
6" DIE-CAST MODERN WALL SCONCES

**MCT** Multi Color Temperature (Selectable)

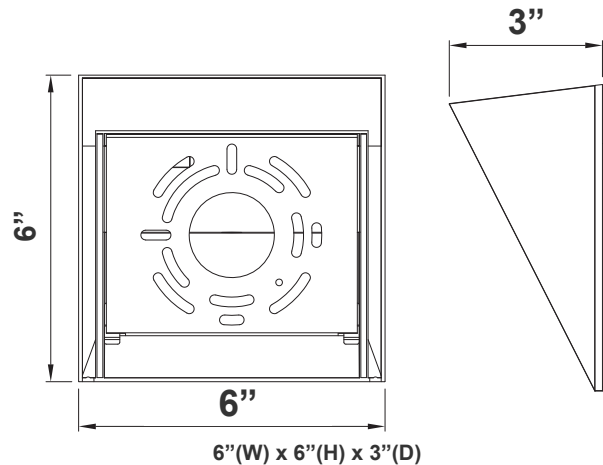
**WESTGATE**  
THE FUTURE IS HERE...AND IT'S QUITE BRIGHT!

Customer Name: \_\_\_\_\_

Project Name: \_\_\_\_\_

Note: \_\_\_\_\_

Type: \_\_\_\_\_



LED Outdoor Wall Lantern with aluminum housing & powder-coated finish, acrylic diffuser. Ideal for general site lighting, residential buildings, doorway, pathway and parking areas.

## Features

- Aluminum Housing and Steel Plate
- 6" Model O Die-Cast Modern Wall Sconces
- Powder-Coated Finish
- 7-Year Warranty
- Multi CCT Switch is Inside Fixture

## Technical Specifications

### Electrical:

- Voltage: 120V AC 60Hz
- Wattage: 9W
- Power Factor: >0.90
- Efficacy: 70 LPW

### Mechanical:

- Aluminum Housing and Steel Plate
- Up Light Or Down Light
- Powder-Coated Finish
- Operating Temperature: -4°F to 104°F
- 7-Year Warranty
- IP42, Suitable For Wet Location

### Lighting:

- Total Lumens: 630LM
- Color Temperatures: 3000K/4000K/5000K
- Color Rendering Index: CRI ≥ 80
- Beam Angle: 90° x 110°
- Rated Life: 70,000 Hrs

### Applications:

- LED Outdoor Wall Lantern with aluminum housing & powder-coated finish, acrylic diffuser. Ideal for general site lighting, residential buildings, doorway, pathway and parking areas.

### Other Models:

- 6W | 420LM | LRS-O1-MCT-BR
- 12W | 840LM | LRS-O3-MCT-BR

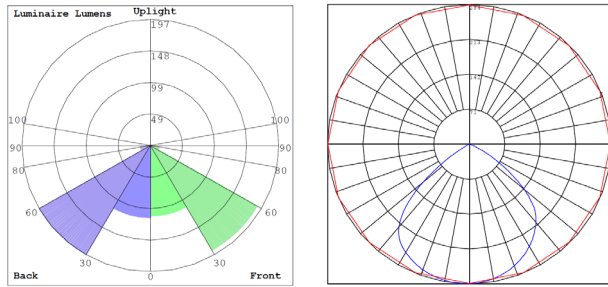


Phone: (877) 805-2252 | Fax: (877) 805-2252  
www.westgatemfg.com

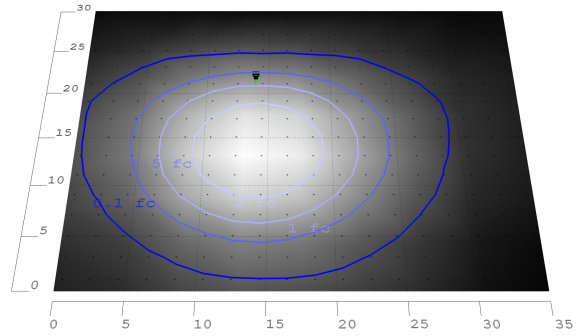


WG-02022020

**Photometrics:** LRS-O2-MCT-BR



BUD Rating: B1-U1-G0



9W 5000K, Area 30'x 35' Mounting Height: 9'

**Other Views:**



Side View



Front View



Bottom View

**Performance Table:** LRS-O2-MCT-BR

MODEL NO.	Wattage	Voltage	Lumens	Color Temp.	BUG Rating	LPW
LRS-O2-MCT-BR	9W	120V	630LM	3000K 4000K 5000K	B0-U3-G1	70

**Sample Ordering**

**Model      Size      Color Temp.      Housing**

LRS - O2 - MCT - BR

**Other Model:** LRS-O1-MCT-BR



Side View



Front View



Bottom View

