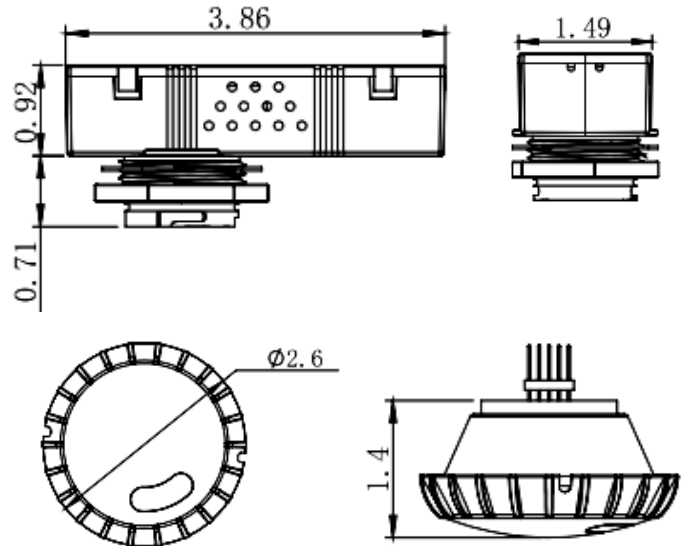




MOS-IP696-KN control for programming MSO-IP66-I series (batteries included)

DIMENSIONS:



MSO-IP66-I

OUTDOOR MOTION SENSORS

Ideal for Walkways, parking lots, dock lighting, warehouses, garages, backyards, entrance ways, motel.

ELECTRICAL SPECIFICATIONS:

- Max Load: Resistive/Tungsten-600W/Ballast Electronic-800/1200W
- Voltage: 120~277VAC 50/60Hz

HOUSING SPECIFICATIONS:

- Polycarbonate construction
- Multi-level control based on motion and daylight contribution
- Wireless configuration tool
- Installation Height: Max 50ft.
- Operating temperature: -104°F ~ 158°F
- Flame retardant, UV resistant, impact resistant
- IP rating: IP66

CERTIFICATIONS:

MODEL	MAX LOAD	VOLTAGE	DETECTION ANGEL
MSO-IP66-I	80W/1200W & 600w	120~277VAC	360°

TECHNICAL SPECIFICATIONS:

- Detection Angle: 360°
- Maximum Detection Area: 50'ft. Height & Diameter 60'ft.
- Operating Humidity: Max 95% RH
- Controls 0-10VDC LED driver or Dimming ballasts and Non-dimming Ballasts
- Dusk to dawn control
- High and low modes fully adjustable from 0 to 10V
- Time delay from 5 to 30 min
- Adjustable ramp up and fade down times

WARRANTY: 5years

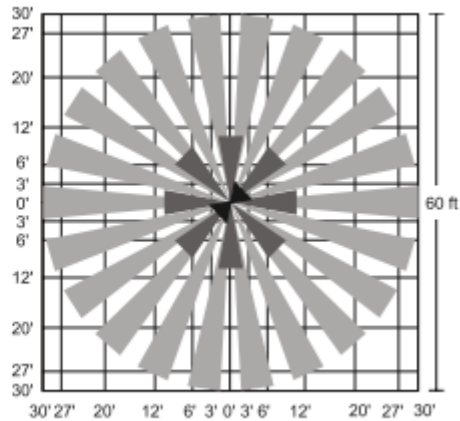
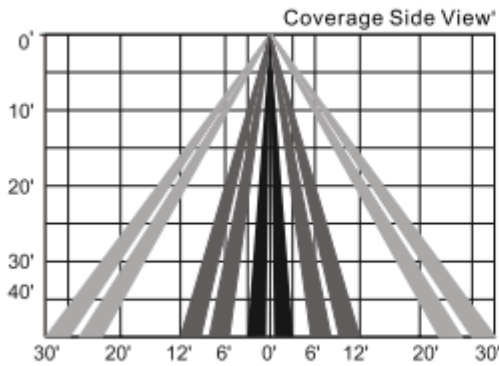


MSO-IP66-I

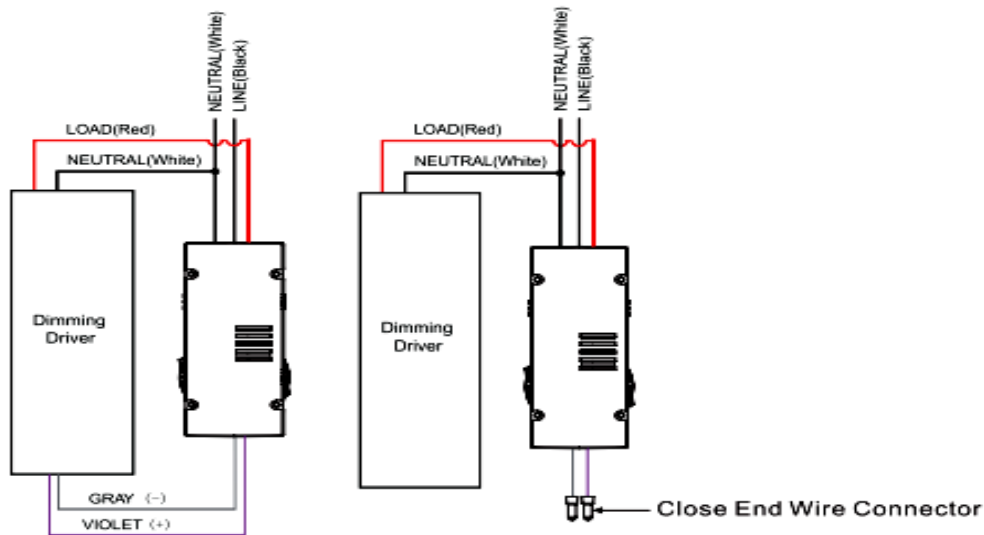
OUTDOOR MOTION SENSORS

MODEL	MAX LOAD	VOLTAGE	DETECTION ANGEL
MSO-IP66-I	80W/1200W & 600w	120~277VAC	360°

DETECTION RANG:



WIRING DIAGRAM:



MOS-IP66-KN wiring with Dimming ballast or LED driver.

MOS-IP66-KN wiring with non-Dimming ballast or LED driver.

