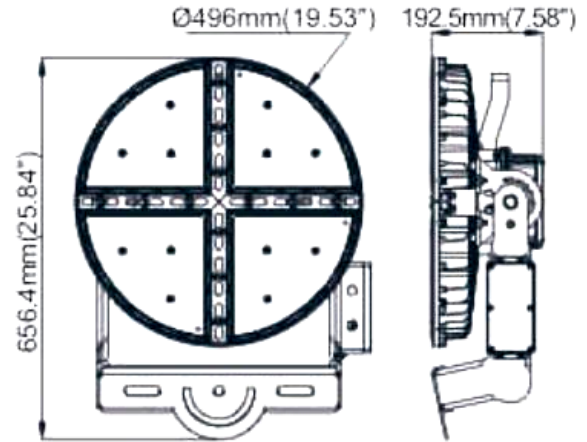


**DIMENSIONS:**



**SFX-G5-600W-30D-50K**

**LED STADIUM FLOOD LIGHT**

Ideal for Stadium lighting, Sports fields, parking lots, docks ,railway and container yards, Architectural lighting, Industrial and commercial exterior lighting, tradeshows, exhibitions

**ELECTRICAL SPECIFICATIONS:**

- Voltage: 120~277VAC,
- Wattage: 600W
- Power factor: 0.90~0.97
- Efficacy: 150LM/W

**HOUSING SPECIFICATIONS:**

- Die-cast aluminum housing with powder coat finish (Black )
- Cord type: 3' SJTW 18/3 AWG cable
- 15KV Surge Protector
- Operating temperature: -40°F to 176°F
- Lifespan: 70,000 hr.
- IP Rating: IP65, Suitable for Wet Locations

**CERTIFICATIONS:** UL, DLC



MODEL	WATTS	VOLTAGE	LUMENS	COLOR TEMP
SFX-G5-600W-30D-50K	600W	120~277VAC	90000LM	5000K

**OPTIONAL ACCESSORIES:**



MODEL	DESCRIPTION
SFX-G5-SH1	Optional Shroud for 600W
SFX-POINTER	Optional LED Laser Aiming Device
SFX-G5-SF	Optional Slip Fitter
SFX-G5-RB	Optional Rotatable Base

**LIGHTING SPECIFICATIONS:**

- Lens: prismatic polycarbonate lens
- LED: Lumileds Luxeon 5050
- Total lumens: 90000LM
- Color temperature: 5000K
- Color rendering index: >84
- Beam Angle: 30°

**WARRANTY:** 7 years

