

WLL-159-30K-BK
INTEGRATED LED WELL LIGHT

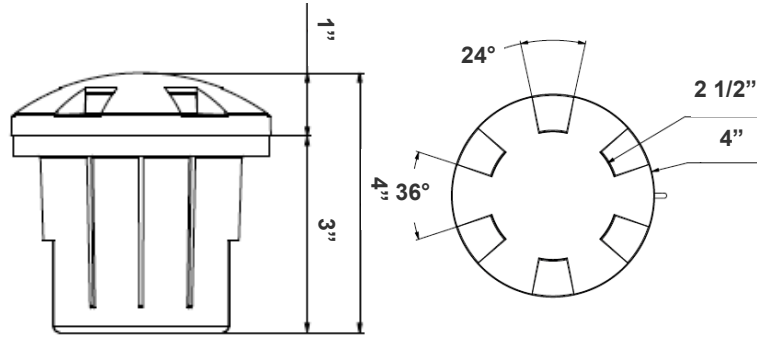
Customer Name: _____

Project Name: _____

Note: _____ | Type: _____



Selection:



4"(H) x 4"(W)

The fixture has classic traditional appearance, professional light distribution design, ideal for park landscaping, garden, architectural landscape lighting, suitable for wet locations

Features

- Die-cast Aluminum Housing
- Solid State Lighting Technology for Long Life, No Maintenance Needed and High-Efficiency
- PC Lens with 6-way Beacon Suitable for Path Lighting
- LED: Built in integrated LED

Technical Specifications

Electrical:

- Voltage: 12-24V AC/DC
- Power Factor: >0.9
- Wattage: 6W
- Input current: 1A Max
- Efficacy: 66LPW

Mechanical:

- Die-cast Aluminum Housing
- PC Lens with 6-way Beacon Suitable for Path Lighting
- 3" PVC Sleeve with three 1/2" KO. 2 on sides, 1 on bottom
- Solid State Lighting Technology for Long Life, No Maintenance Needed and High-Efficiency
- High Conductive Aluminum LED Board
- IP Rating: IP65
- Operating Temperature: -4°F to 104°F
- Suitable for Wet Locations
- 1-Year Warranty

Lighting:

- LED: Built in integrated LED
- Total lumens: 400LM
- Color Temperatures: 3000K
- Color Rendering Index: CRI ≥ 90
- Beam Angle: 52°
- Lifespan: 50,000 Hrs.

Applications:

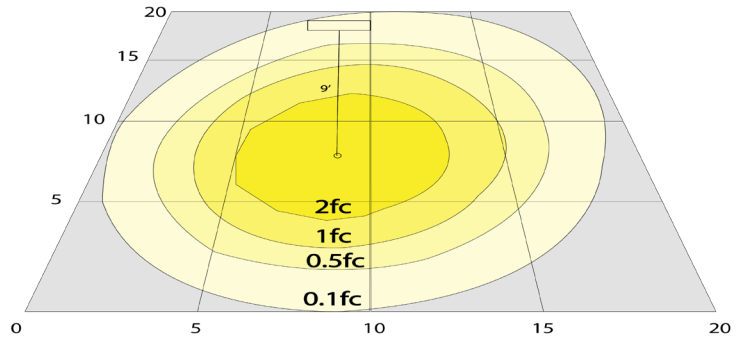
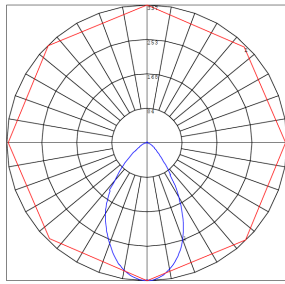
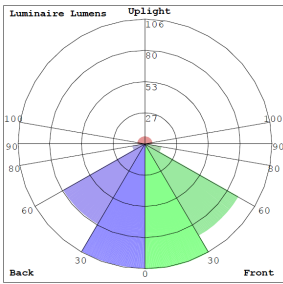
- The fixture has classic traditional appearance, professional light distribution design, ideal for park landscaping, garden, architectural landscape lighting, suitable for wet locations

Other Models:

• 6W | 580LM | WLL-105-30K-BK • 6W | 500LM | WLL-106-30K-BK • 6W | 500LM | WLL-157-30K-BK • 6W | 580LM | WLL-181-30K-BK



Photometrics: WLL-159-30K-BK



BUG Rating: B0-U1-G0

6W 3000K, Area 20'x 20' Mounting Height: 9'

Other Views:



Side View



Top View



Bottom View

Performance Table: WLL-159-30K-BK

MODEL NO.	Wattage	Voltage	Lumens	Color Temp.	BUG Rating	LPW
WLL-159-30K-BK	6W	12-24V	400LM	3000K	B0-U1-G0	66

Sample Ordering

Model	Style	Color Temp.	Finish
WLL	159	30K	BK

Accessories:

Blank = No Option For Accessories

LSWN1 = Bag of 24, Waterproof Wire Connectors, For Up to Two 14-2 + One 16-2 Cables

LSWN2 = Box of 24, Waterproof Wire Connectors, For Up to Three 12-2 Cables

LSWN2-100 = Jar of 100, Waterproof Wire Connectors, For Up To Three 12-2 Cables

ACCESSORIES:



LSWN2-100
Jar of 100, Waterproof wire connectors, for up to three 12-2 cables



LSWN1
Bag of 24, Waterproof wire connectors, for up to two 14-2 + one 16-2 cables



LSWN2
Box of 24, Waterproof wire connectors, for up to three 12-2 cables

Example:

1. WLL-159-30K-BK

(FOR WLL 6W 30K FIXTURE 12-24V)

Other Model: WLL-157-30K-BK



Side View



Top View



Bottom View

WESTGATE

Phone: (877) 805-2252 | Fax: (877) 805-2252
www.westgatemfg.com

