

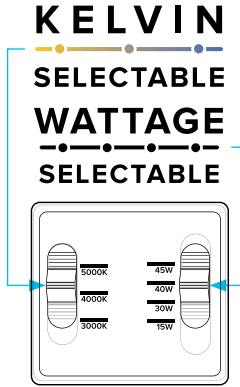
### Key Features & Benefits:

- Kelvin & Wattage Selectable
- 1–10V Dimmable with 12V AUX
- UV Stabilized & Powder Coated Finish
- High Impact UV Protected Polycarbonate Lens

Project: \_\_\_\_\_ Date: \_\_\_\_\_  
 Catalog #: \_\_\_\_\_  
 Notes: \_\_\_\_\_

### Product Specifications:

Power: Selectable Wattage  
 30W, 60W, 90W, 100W  
 Lumen Output: Up to 14,120 Lumens  
 Efficacy (lm/W): Up to 141 Lumens per Watt  
 Kelvin: Selectable 3000K, 4000K, 5000K  
 CRI: >70  
 Power Frequency: 50/60Hz  
 Power Factor: >0.95  
 Operating Temperature: -40°F–104°F (-40°C–40°C)  
 Input Voltage: 120–277VAC  
 Life Span: Estimate L70 Lifetime 140,000 hrs  
 Calculated Per TM21  
 Warranty: 5 Year Warranty  
 Product Weight: 9.00 lbs



### Ordering Guide:

ESL	TYPE	WATTAGE	GENERATION	KELVIN	OPTIONS
ESL	WP (WP) Wall Pack	(yy)W (1545) Selectable 15W, 30W, 40W, 45W (30100) Selectable 30W, 60W, 90W, 100W	5 (5) Generation 5	(xx) (3050) Selectable 3000K, 4000K, 5000K	

#### FACTORY INSTALLED OPTIONS

ESL-EMG-SL1-OTB-9W	Emergency Back Up Unit
ESL-ACCS-PC-001	Photocell

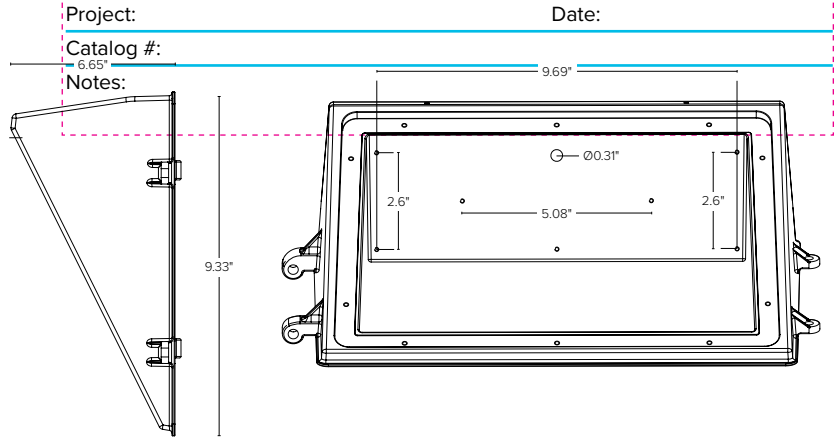
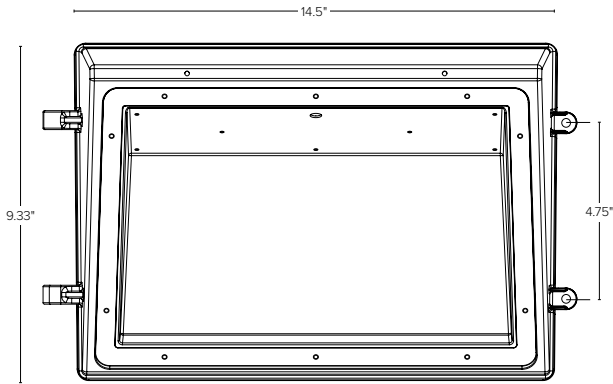
### Catalog Data:

ITEM#	WATTAGE	KELVIN (xx)	LUMENS	EFFICACY lm/W	INPUT VOLTAGE	DIMENSIONS (LxWxH)	DLC OPL CODE
ESL-WP-1545W-53050	Selectable 15W, 30W, 40W, 45W	Selectable 3000K, 4000K, 5000K	6,016	133	120–277VAC	14.5"x9.33"x6.65"	S-HCX8JW
ESL-WP-30100W-53050	Selectable 30W, 60W, 90W, 100W		13,422	135			S-6R03ON

### Lumen Ambient Temperature (LAT) Multipliers:

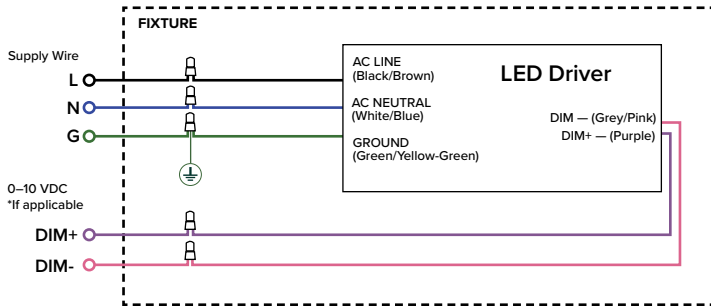
AMBIENT	LUMEN MULTIPLIER
0 °C 32 °F	1.02
10 °C 50 °F	1.01
20 °C 68 °F	1.00
25 °C 77 °F	1.00
30 °C 86 °F	1.00
40 °C 104 °F	0.99
50 °C 122 °F	0.96

### Fixture Dimensions:

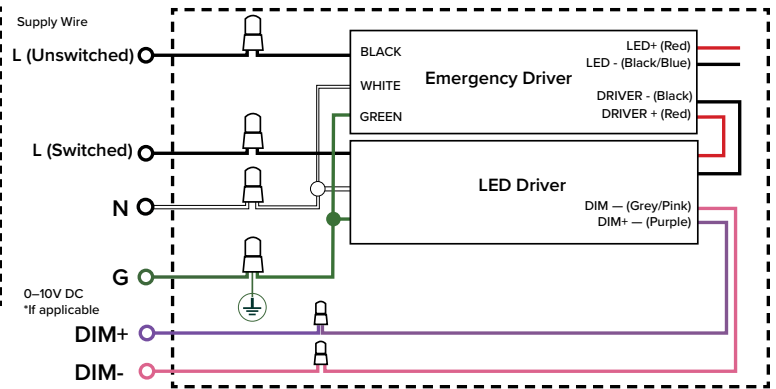


### Electrical Wiring Diagrams:

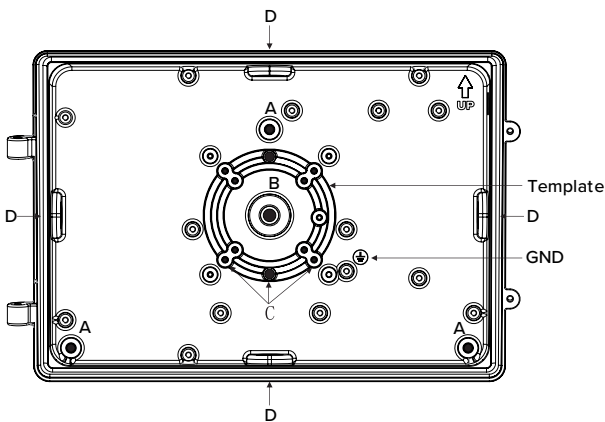
#### Wiring Diagram:



#### Wiring Diagram (With EM Backup)



### Backplate Diagram:



- A —  $\varnothing$ 5/16" Knockouts
- B —  $\varnothing$ 9/16" Knockouts
- C — Knockouts for #10 screw
- D — 1/2" NPS tapped holes.