



ATG Electronics® eLucent™ LED WPDS Wall Pack

USER GUIDE



NOTE:

Please read this entire manual to fully understand and safely use the luminaire.

The products can be used at the voltage of 100-240V AC / 277V AC, 50/60Hz, suitable for indoor and outdoor, moistureproof and dustproof. Specifications are subject to change without notice. Please visit www.atgelectronics.com for the most recent user guide versions.

UNPACKING

- 1) Unpack and carefully examine the product.
- 2) Report any damage and save all packing materials if any part(s) were damaged during shipping.
- 3) Do not attempt to use this apparatus if it is damaged.

INSTALLATION INSTRUCTIONS

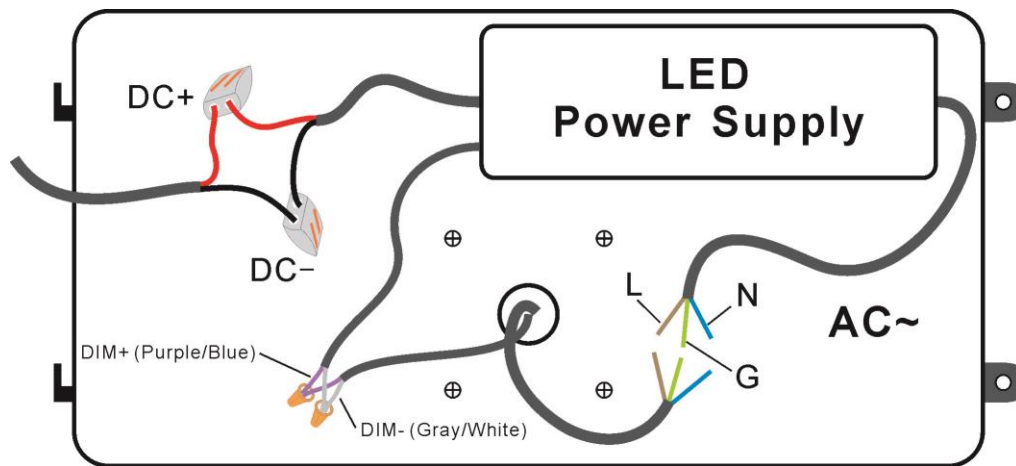
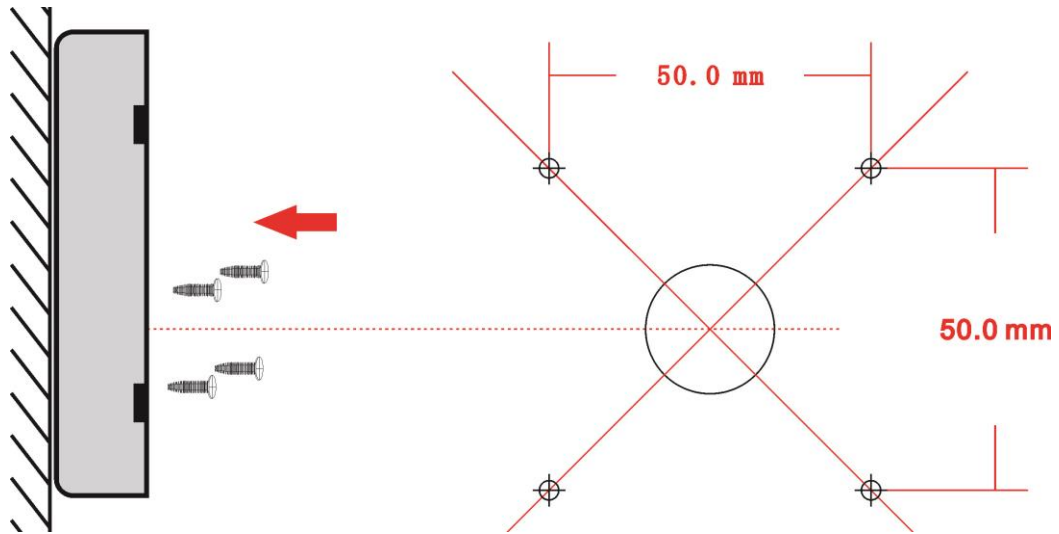
- 1) CONSULT A QUALIFIED ELECTRICIAN TO ENSURE CORRECT BRANCH CIRCUIT CONDUCTOR.
- 2) The product should be installed and operated by a qualified electrician or technician in accordance with relevant local codes.
- 3) Risk of electric shock. Ensure that main power source is off when wiring or soldering the sections of the product.

MAINTENANCE

- 1) Disconnect the product from the power supply prior to cleaning.
- 2) Use a dry or slightly moistened cloth for cleaning.
- 3) Never use any chemicals or abrasive materials for cleaning.

INSTALLATION STEPS

- 1) Use a screwdriver to loosen the screws and open the fixture.
- 2) Take the back plate from the fixture and drill holes through casting over mounting holes to mount it to the wall/ceiling.
- 3) Connect the source VAC to driver VAC in and the dimming source to driver DIM in.
- 4) Connect the LED array to the output leads of driver.
- 5) Reattach the fixture front to the back plate. Tighten the housing screws to close the fixture.
- 6) Fix the cover to the wall pack with screws.
- 7) Make waterproof treatment for screws and bottom of the lamp.



Make waterproof treatment for screws and bottom of the lamp

