



# OPEN FACE WALL PACK

## OUTDOOR



407-478-3759  
www.ilp-inc.com

### FEATURES

- Rugged die-cast aluminum housing
- Bronze polyester powder coat finish (std.)
- Custom and factory select colors available<sup>1</sup>
- Non-Cutoff Type IV distribution
- Optional Hood for semi-cutoff Type IV distribution
- Impact resistant frosted low glare prismatic polycarbonate lens with UV stabilizers
- Silicone lens gasket and rubber housing gasket provide secure watertight seal
- Built in base bubble level for easy installation
- ½" coin plugs with o-rings for conduit or optional photocell
- 120-277V Universal Voltage
- 0-10V Dimmable Driver (std.)
- Battery backup & cold weather battery options available
- PIR Occupancy, Photocell, & Bi-Level Dimming sensors available
- 4000K & 5000K CCT
- >70 Color Rendering Index (CRI)
- Calculated L70 >75,000 Hours @ 25°C per TM-21-11
- Operating Temperature: -40°C to 45°C (-40°F to 113°F)
- IP65 Rated Luminaire
- 5 Year Warranty (std); 10 Year Warranty Optional
- ETL Listed for Wet Locations
- DesignLights Consortium® Qualified Luminaire



<sup>1</sup>Contact factory for pricing and availability



### SUITABLE APPLICATIONS

- Schools
- Warehouses
- Shopping Center
- General Area Lighting

### ORDERING GUIDE:

SERIES	WATTS	DRIVER	CCT	FINISH	WARRANTY
<b>WPSO</b> Small Open Face Wall Pack	<b>30W</b>	<b>UNIV</b> 120-277V	<b>50</b> <b>40</b>	<b>(BLANK)</b> Bronze <b>BLK</b> <sup>9</sup> Black <b>SLV</b> <sup>9</sup> Silver <b>WHT</b> <sup>9</sup> White	<b>BLANK</b> 5 Year <b>10YR</b> <sup>7,8</sup> 10 Year
<b>WPMO</b> Medium Open Face Wall Pack	<b>45W</b> <b>70W</b>				
<b>WPLO</b> Large Open Face Wall Pack	<b>90W</b> <sup>10</sup> <b>135W</b> <sup>10</sup>				

OPTIONS	CONTROLS OPTIONS <sup>1</sup>
Factory Installed	Basic—Ship with Accessories
<b>SP1</b> <sup>5</sup> 10kA Max Univolt Surge Protector	<b>PCU</b> Photocell Universal Voltage (120-277V)
<b>SP2</b> <sup>5</sup> 22kA Max Univolt Surge Protector	
<b>SP480V02</b> 20kA Max 480V Surge Protector	
<b>FUSE/SXXX</b> Single-line Voltage Fuse (120, 277, 347)	
<b>FUSE/DXXX</b> Single-line Voltage Fuse (208, 240, 480)	
<b>FI/ILBCP05</b> <sup>4,6</sup> 5W LED Battery Backup (32°F to 104°F)	
<b>FI/ILBCP05/HE</b> <sup>4,6</sup> 5W LED Battery Backup-CEC Title 20 Compliant (32°F to 104°F)	
<b>FI/ILBCP07</b> <sup>3,4</sup> 7W LED Battery Backup (32°F to 104°F)	
<b>FI/ILBCP07/HE</b> <sup>3,4</sup> 7W LED Battery Backup-CEC Title 20 Compliant (32°F to 104°F)	
<b>FI/ILBCP10</b> <sup>3,4</sup> 10W LED Battery Backup (32°F to 104°F)	
<b>FI/ILBCP10/HE</b> <sup>3,4</sup> 10W LED Battery Backup-CEC Title 20 Compliant (32°F to 104°F)	
<b>FI/ILBCP12</b> <sup>3,4</sup> 12W LED Battery Backup (32°F to 104°F)	
<b>LEDBBCT</b> <sup>3,4</sup> 14W UNIV CT Battery backup (-4°F-104°F)	
<b>LEDBBCT7</b> <sup>3,4</sup> 7W UNIV CT Battery backup (-4°F-104°F)	
<b>SMLxxxx</b> Specified Lumen Output (xxxx=lumen)	
<b>SD480</b> <sup>10</sup> 480V Step Down Transformer	
<b>SD347</b> <sup>10</sup> 347V Step Down Transformer	
Ship With Accessories	Basic—Factory Installed
<b>HD/WPMO</b> Medium Hood/Glare Shield - Field Installed	<b>WLOS</b> <sup>6</sup> On/Off Occupancy Sensor
<b>HD/WPLO</b> Large Hood/Glare Shield - Field Installed	<b>USBD</b> <sup>2,6</sup> User Select Bi-Level Dim Occ. Sensor
	<b>BDxx</b> <sup>6</sup> Preset Bi-Level Dim Sensor (xx=% eg. 20,30)
	<b>BDxxPC</b> <sup>6</sup> Preset Bi-Level Dim Sensor w/ Photocell (xx=% eg. 20,30)

<sup>1</sup>Only 1 selection allotted for controls options

<sup>2</sup>Requires bluetooth enabled device for programming (provided by others)

<sup>3</sup>WPLO series model only

<sup>4</sup>Not available with SD347 or SD480 Options

<sup>5</sup>SP1/SP2 specified in combination with Battery Backups, separate surge protectors are required per electrical line

<sup>6</sup>WPMO & WPLO Series Models Only

<sup>7</sup>Contact Factory for more details

<sup>8</sup>Requires additional surge protection (SP1,SP2, SP480V2); For additional details see general terms and conditions

<sup>9</sup>Bronze finish standard, Consult factory for pricing & availability of other finishes; subject to longer lead-times

<sup>10</sup>Does not qualify for DLC, check the QPL on DLC website for models that qualify

# OPEN FACE WALL PACK

## OUTDOOR



### QUICK SHIP ITEMS:

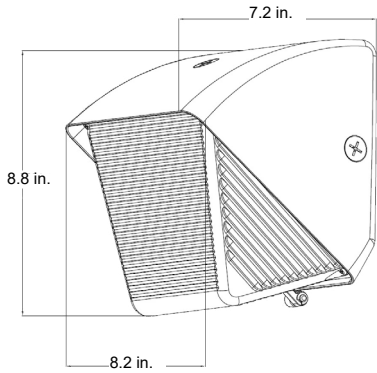
SERIES	WATTS	DRIVER	COLOR	FINISH
<b>WPSO</b> Small Open Face Wall Pack	<b>30W</b>	<b>U 120-277V</b>	<b>50 40</b>	<b>(BLANK)</b> Bronze
<b>WPMO</b> Medium Open Face Wall Pack	<b>45W 70W</b>			
<b>WPLO</b> Large Open Face Wall Pack	<b>90W 135W</b>			

LED SYSTEMS INFORMATION <sup>1</sup>	4000K		5000K		Watts <sup>2</sup>	DLC Listing	Replaces
	Part Numbers	Lumens	Efficacy	Lumens			
WPSO-30W	4,097 lm	130 lm/W	4,203 lm	134 lm/W	31 W	Standard	100W MH
WPMO-45W	5,049 lm	113 lm/W	4,950 lm	110 lm/W	45 W	Standard	175W MH
WPMO-70W	7,770 lm	112 lm/W	7,900 lm	113 lm/W	70W	Standard	250W MH
WPLO-90W	10,414 lm	116 lm/W	9,950 lm	111 lm/W	90 W	N/A	320W MH
WPLO-135W	15,340 lm	114 lm/W	15,550 lm	115 lm/W	135W	N/A	400W MH

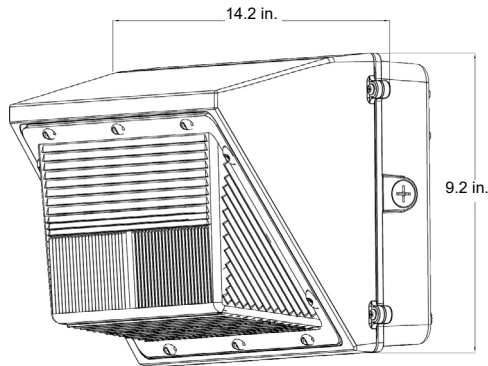
<sup>1</sup>LED Chips are frequently updated therefore values are nominal  
<sup>2</sup>Electrical data at 25C (77F). Actual wattage may differ by +/-10%.

## LINE DRAWINGS

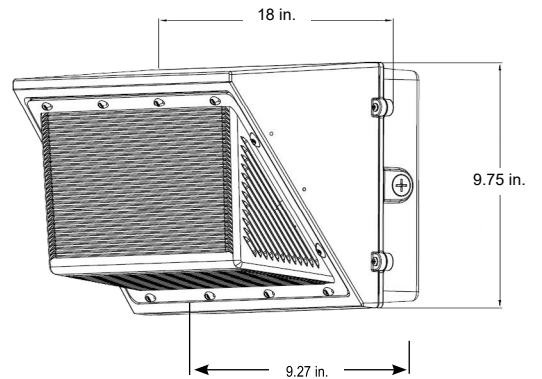
WPSO:



WPMO:



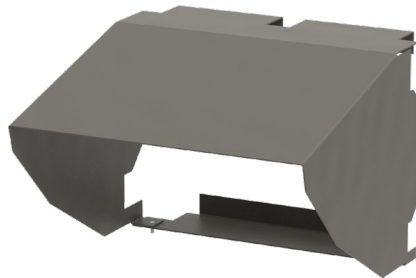
WPLO:



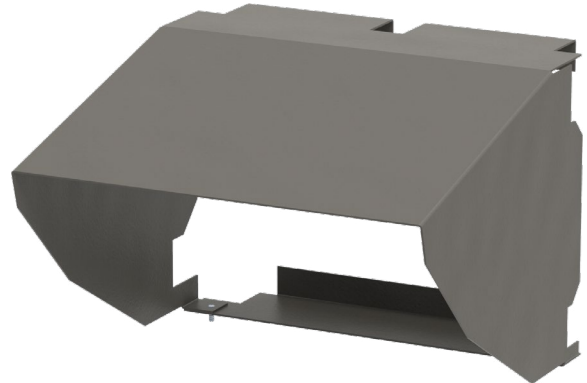
## OPTIONS

**HD/WPMO** Medium Hood/Glare Shield - Field Installed

**HD/WPLO** Large Hood/Glare Shield - Field Installed



HD/WPMO

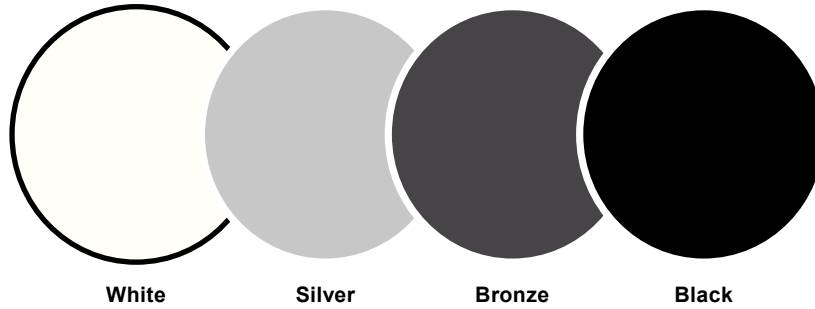


HD/WPLO

# OPEN FACE WALL PACK

## OUTDOOR

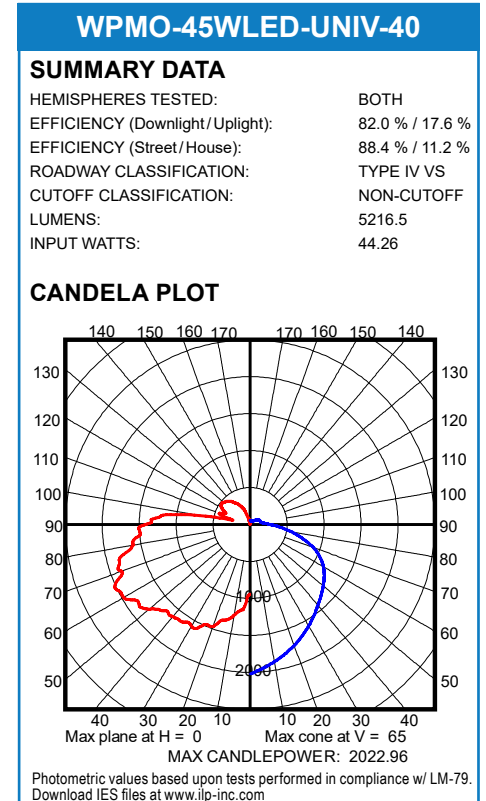
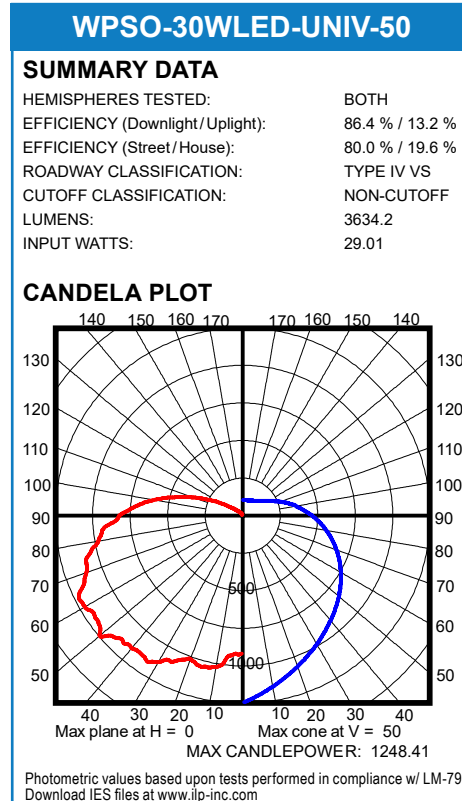
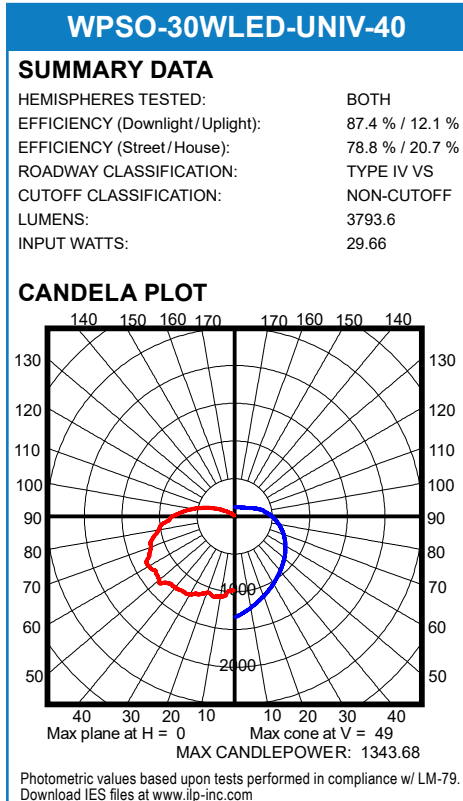
### FACTORY SELECT COLOR GUIDE



COLOR NAME AND DESCRIPTION		SHEEN	PRICING
WHT	- ILP White	SEMI GLOSS	Consult Factory
SLV	- ILP Silver - Ultrasonic Chrome	GLOSS	Consult Factory
BRZ	- ILP Bronze	SEMI GLOSS	Standard
BLK	- ILP Black	SEMI GLOSS	Consult Factory

COLORS SHOWN ABOVE ARE TO BE USED AS REFERENCE, NOT EXACT MATCH. PLEASE REQUEST PAINT CHIPS FOR EXACT MATCH.

### PHOTOMETRIC DATA



# OPEN FACE WALL PACK

## OUTDOOR

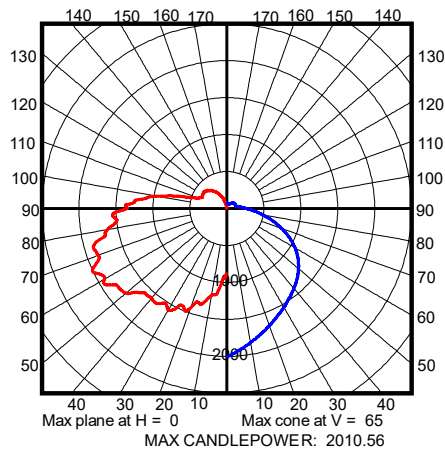
### PHOTOMETRIC DATA

#### WPMO-45WLED-UNIV-50

##### SUMMARY DATA

HEMISPHERES TESTED:	BOTH
EFFICIENCY (Downlight/Uplight):	79.1 % / 20.3 %
EFFICIENCY (Street/House):	87.6 % / 11.7 %
ROADWAY CLASSIFICATION:	TYPE IV VS
CUTOFF CLASSIFICATION:	NON-CUTOFF
LUMENS:	5223.3
INPUT WATTS:	44.02

##### CANDELA PLOT



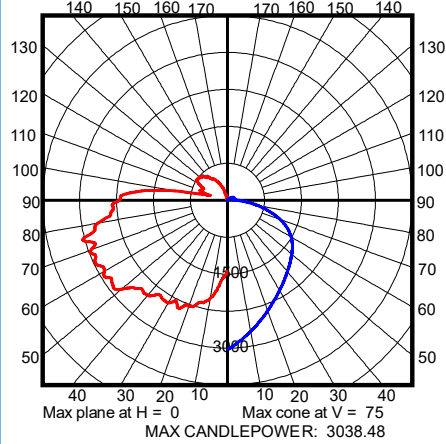
Photometric values based upon tests performed in compliance w/ LM-79.  
Download IES files at [www.ilp-inc.com](http://www.ilp-inc.com)

#### WPMO-70WLED-UNIV-40

##### SUMMARY DATA

HEMISPHERES TESTED:	BOTH
EFFICIENCY (Downlight/Uplight):	82.2 % / 17.4 %
EFFICIENCY (Street/House):	88.2 % / 11.4 %
ROADWAY CLASSIFICATION:	TYPE IV VS
CUTOFF CLASSIFICATION:	NON-CUTOFF
LUMENS:	7976.9
INPUT WATTS:	66.73

##### CANDELA PLOT



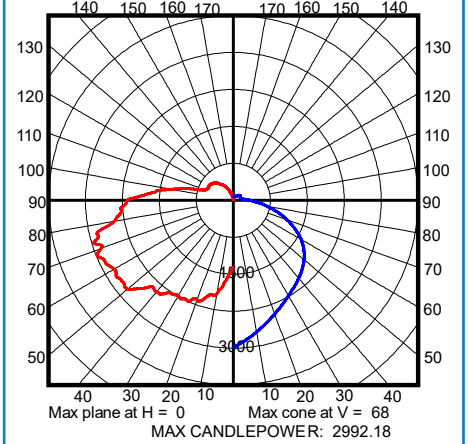
Photometric values based upon tests performed in compliance w/ LM-79.  
Download IES files at [www.ilp-inc.com](http://www.ilp-inc.com)

#### WPMO-70WLED-UNIV-50

##### SUMMARY DATA

HEMISPHERES TESTED:	BOTH
EFFICIENCY (Downlight/Uplight):	79.9 % / 19.3 %
EFFICIENCY (Street/House):	87.1 % / 12.1 %
ROADWAY CLASSIFICATION:	TYPE IV VS
CUTOFF CLASSIFICATION:	NON-CUTOFF
LUMENS:	7773.3
INPUT WATTS:	67.9

##### CANDELA PLOT



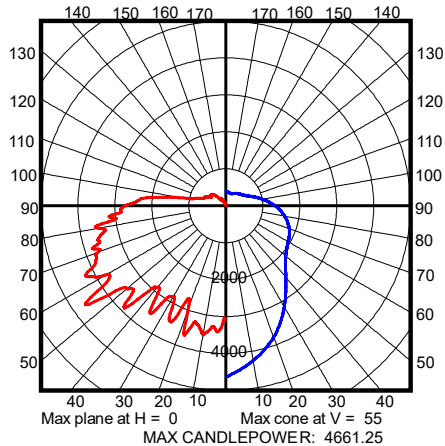
Photometric values based upon tests performed in compliance w/ LM-79.  
Download IES files at [www.ilp-inc.com](http://www.ilp-inc.com)

#### WPLO-90WLED-UNIV-40

##### SUMMARY DATA

HEMISPHERES TESTED:	BOTH
EFFICIENCY (Downlight/Uplight):	87.3 % / 12.5 %
EFFICIENCY (Street/House):	80.6 % / 19.2 %
ROADWAY CLASSIFICATION:	TYPE IV VS
CUTOFF CLASSIFICATION:	NON-CUTOFF
LUMENS:	10935
INPUT WATTS:	88.12

##### CANDELA PLOT



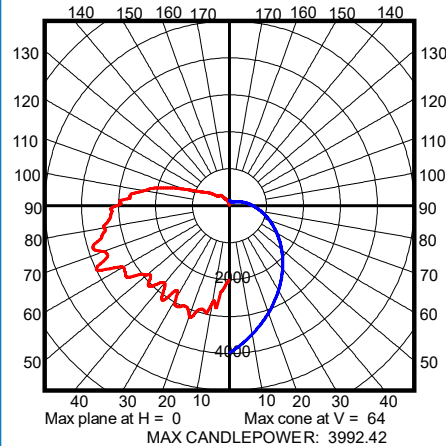
Photometric values based upon tests performed in compliance w/ LM-79.  
Download IES files at [www.ilp-inc.com](http://www.ilp-inc.com)

#### WPLO-90WLED-UNIV-50

##### SUMMARY DATA

HEMISPHERES TESTED:	BOTH
EFFICIENCY (Downlight/Uplight):	72.2 % / 17.3 %
EFFICIENCY (Street/House):	76.1 % / 13.5 %
ROADWAY CLASSIFICATION:	TYPE IV VS
CUTOFF CLASSIFICATION:	NON-CUTOFF
LUMENS:	10159.6
INPUT WATTS:	86.93

##### CANDELA PLOT



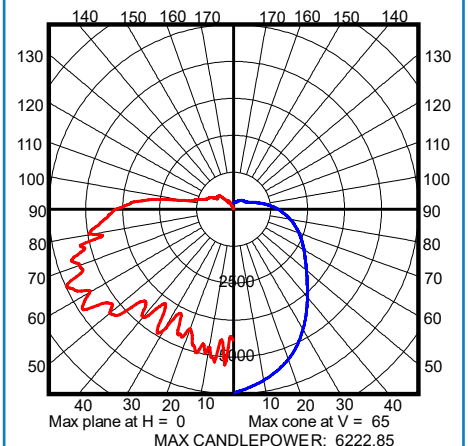
Photometric values based upon tests performed in compliance w/ LM-79.  
Download IES files at [www.ilp-inc.com](http://www.ilp-inc.com)

#### WPLO-135WLED-UNIV-40

##### SUMMARY DATA

HEMISPHERES TESTED:	BOTH
EFFICIENCY (Downlight/Uplight):	86.7 % / 13.1 %
EFFICIENCY (Street/House):	81.5 % / 18.3 %
ROADWAY CLASSIFICATION:	TYPE IV VS
CUTOFF CLASSIFICATION:	NON-CUTOFF
LUMENS:	15693
INPUT WATTS:	130.81

##### CANDELA PLOT



Photometric values based upon tests performed in compliance w/ LM-79.  
Download IES files at [www.ilp-inc.com](http://www.ilp-inc.com)

# OPEN FACE WALL PACK

## OUTDOOR

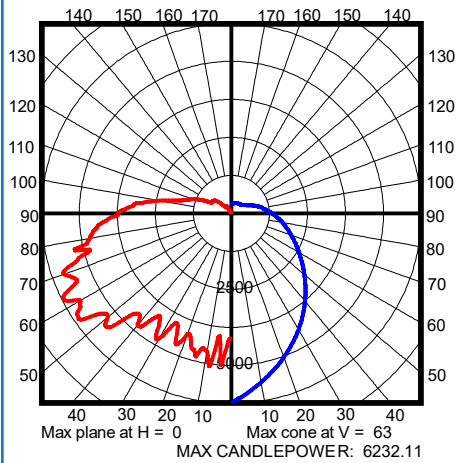
### PHOTOMETRIC DATA

#### WPLO-135WLED-UNIV-50

##### SUMMARY DATA

HEMISPHERES TESTED:	BOTH
EFFICIENCY (Downlight / Uplight):	84.3 % / 15.0 %
EFFICIENCY (Street / House):	80.9 % / 18.4 %
ROADWAY CLASSIFICATION:	TYPE IV VS
CUTOFF CLASSIFICATION:	NON-CUTOFF
LUMENS:	15654.4
INPUT WATTS:	132.19

##### CANDELA PLOT



Photometric values based upon tests performed in compliance w/ LM-79.  
Download IES files at [www.ilp-inc.com](http://www.ilp-inc.com)