

4

3

2

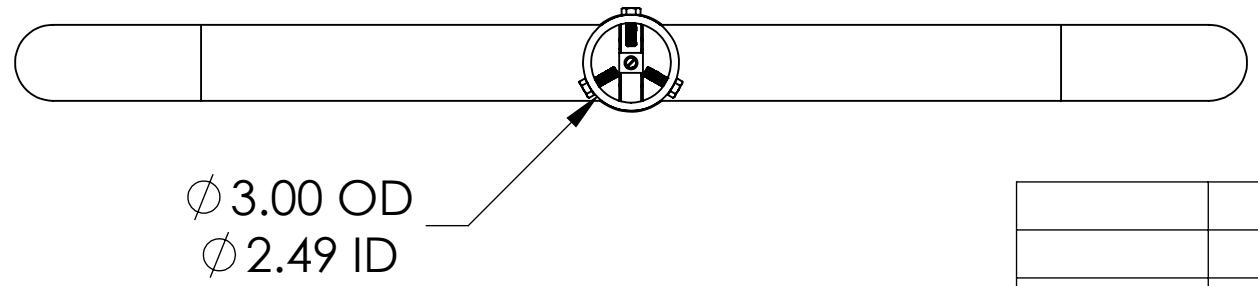
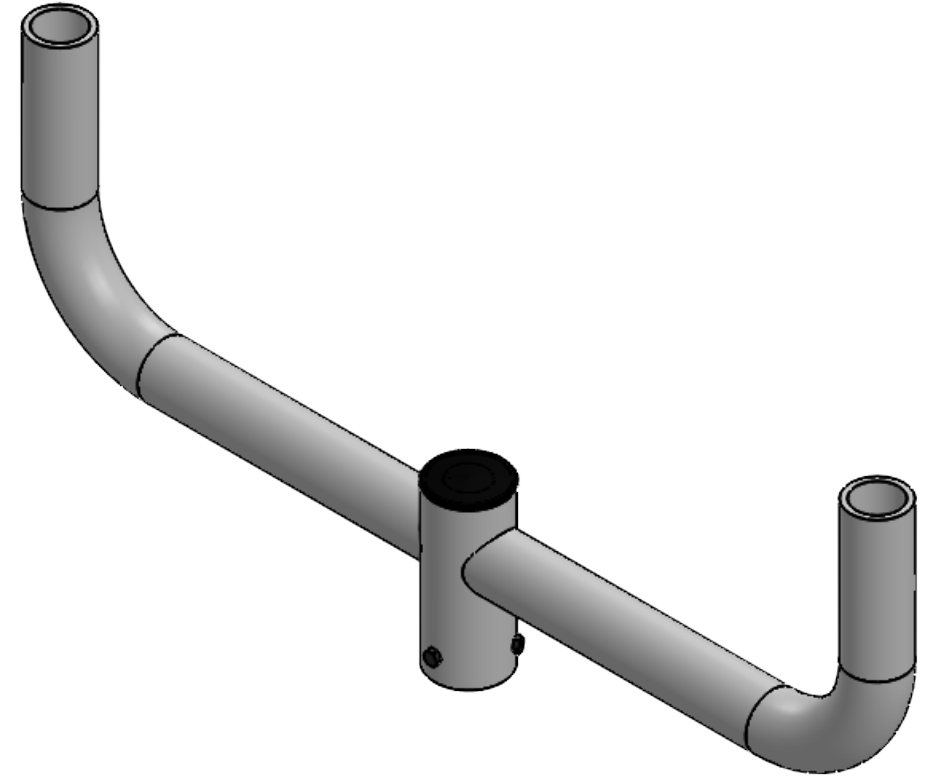
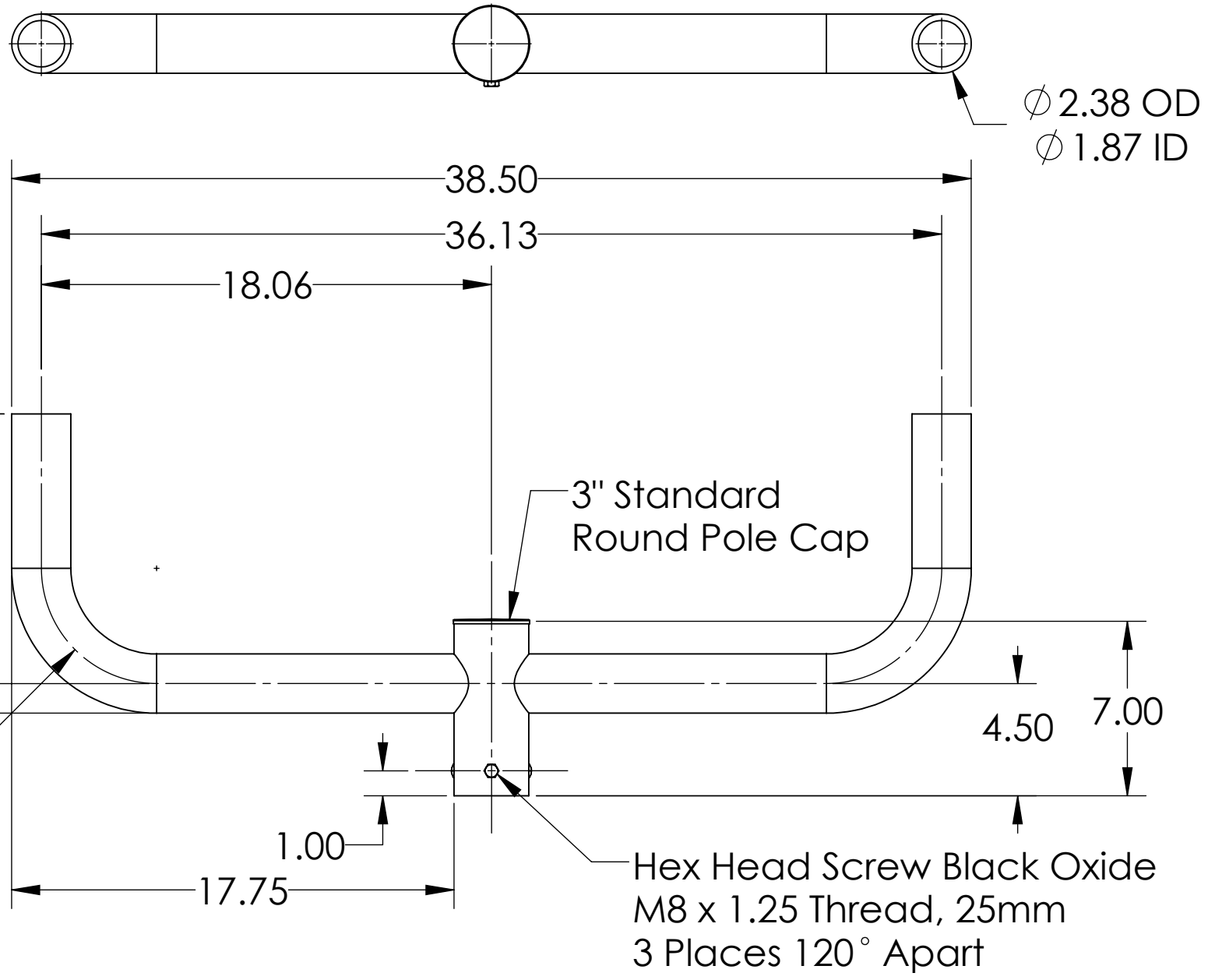
1

B

B


A

A



All dimensions and specifications are subject to change without any notice.

PROPRIETARY AND CONFIDENTIAL
 THE INFORMATION CONTAINED IN THIS DRAWING IS THE SOLE PROPERTY OF *Energy Light, Inc.* ANY REPRODUCTION IN PART OR AS A WHOLE WITHOUT THE WRITTEN PERMISSION OF *Energy Light, Inc.* IS PROHIBITED.

		UNLESS OTHERWISE SPECIFIED:		NAME	DATE	TITLE:	
		DIMENSIONS ARE IN INCHES		DRAWN	MKA	Aluminum bullhorn with 2 Arms at 180°	
		TOLERANCES:		ENG APPR.			
		FRACTIONAL: ± 1/64		MFG APPR.			
		ANGULAR: ± 0.5°		Q.A.			
		TWO PLACE DECIMAL ±0.01					
		THREE PLACE DECIMAL ±0.005					
		INTERPRET GEOMETRIC TOLERANCING PER:		 Energy Light, Inc. 1881 Rose Road Lake Zurich, IL 60047			
		MATERIAL					
		ALUMINUM					
NEXT ASSY	USED ON	FINISH		SIZE B ITEM NO. A10066 REV SCALE: 1:6 WEIGHT: 9.9 lbs SHEET 1 OF 1			
APPLICATION		DO NOT SCALE DRAWING					

4

3

2

1