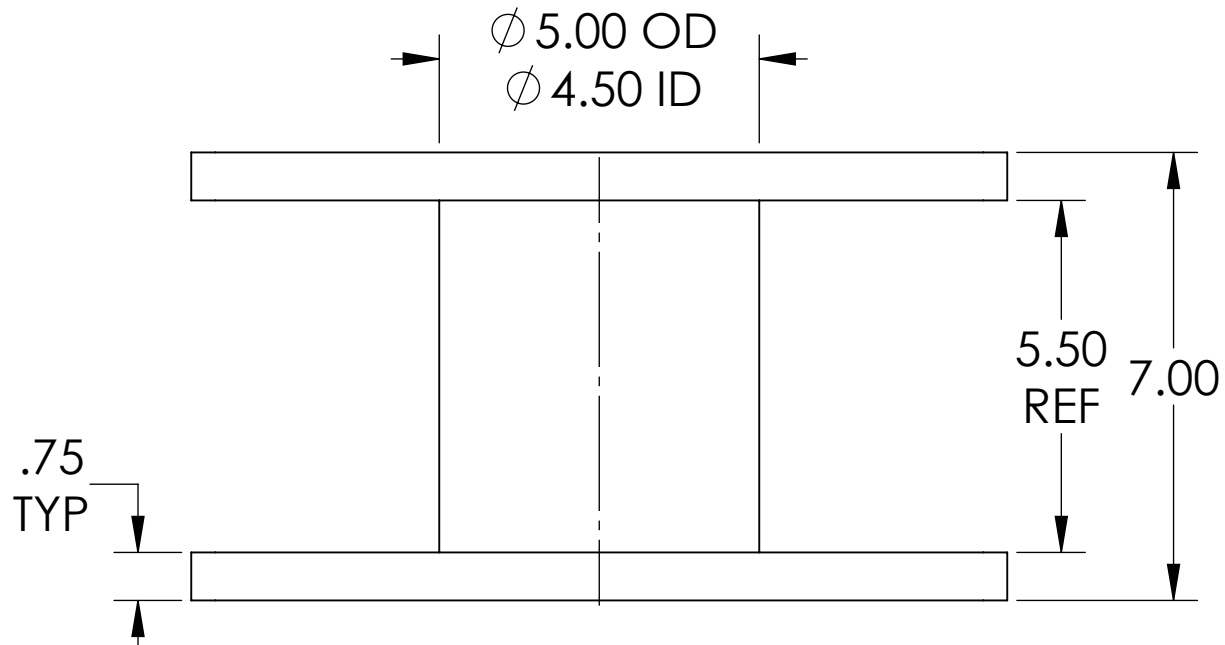
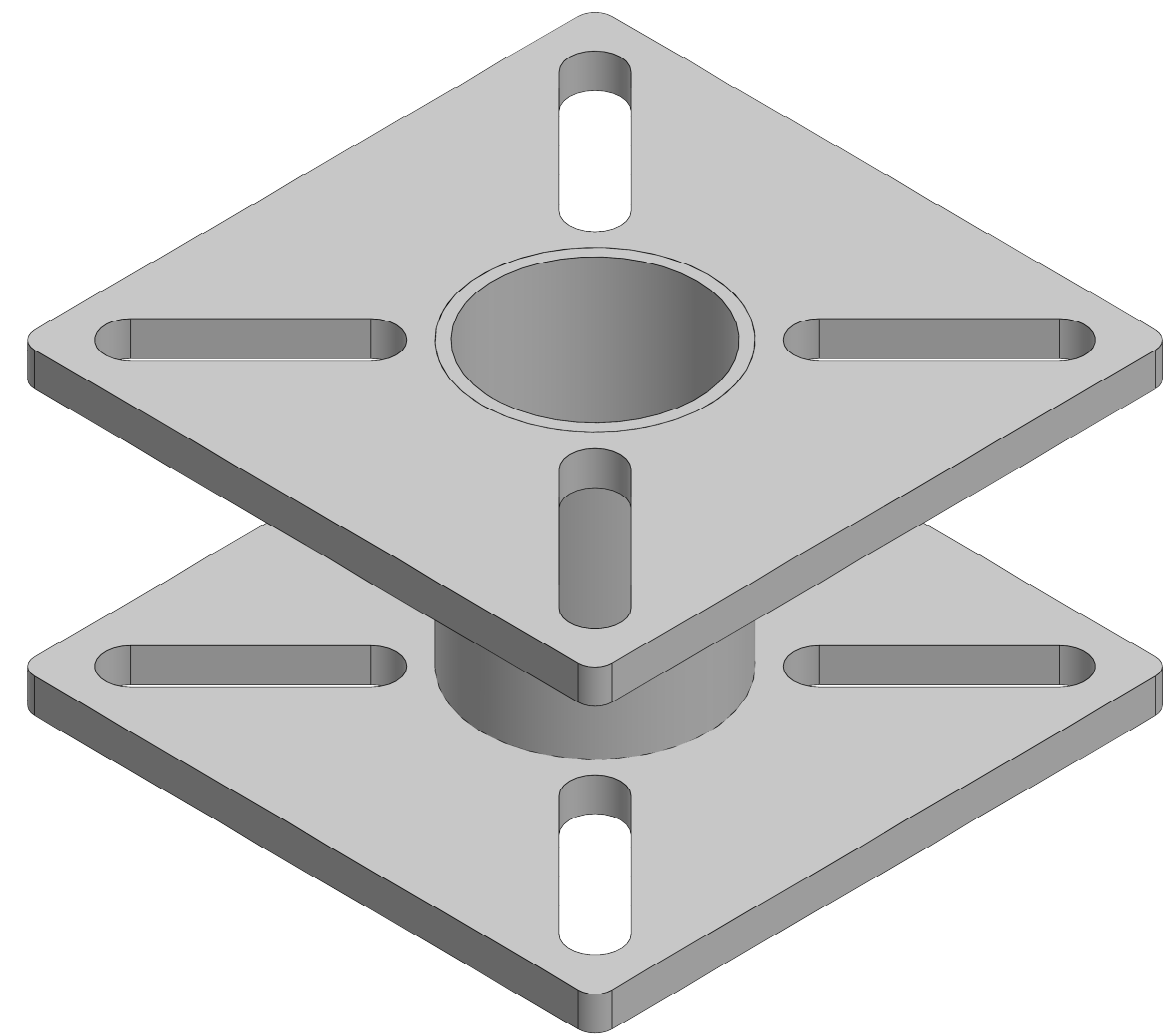
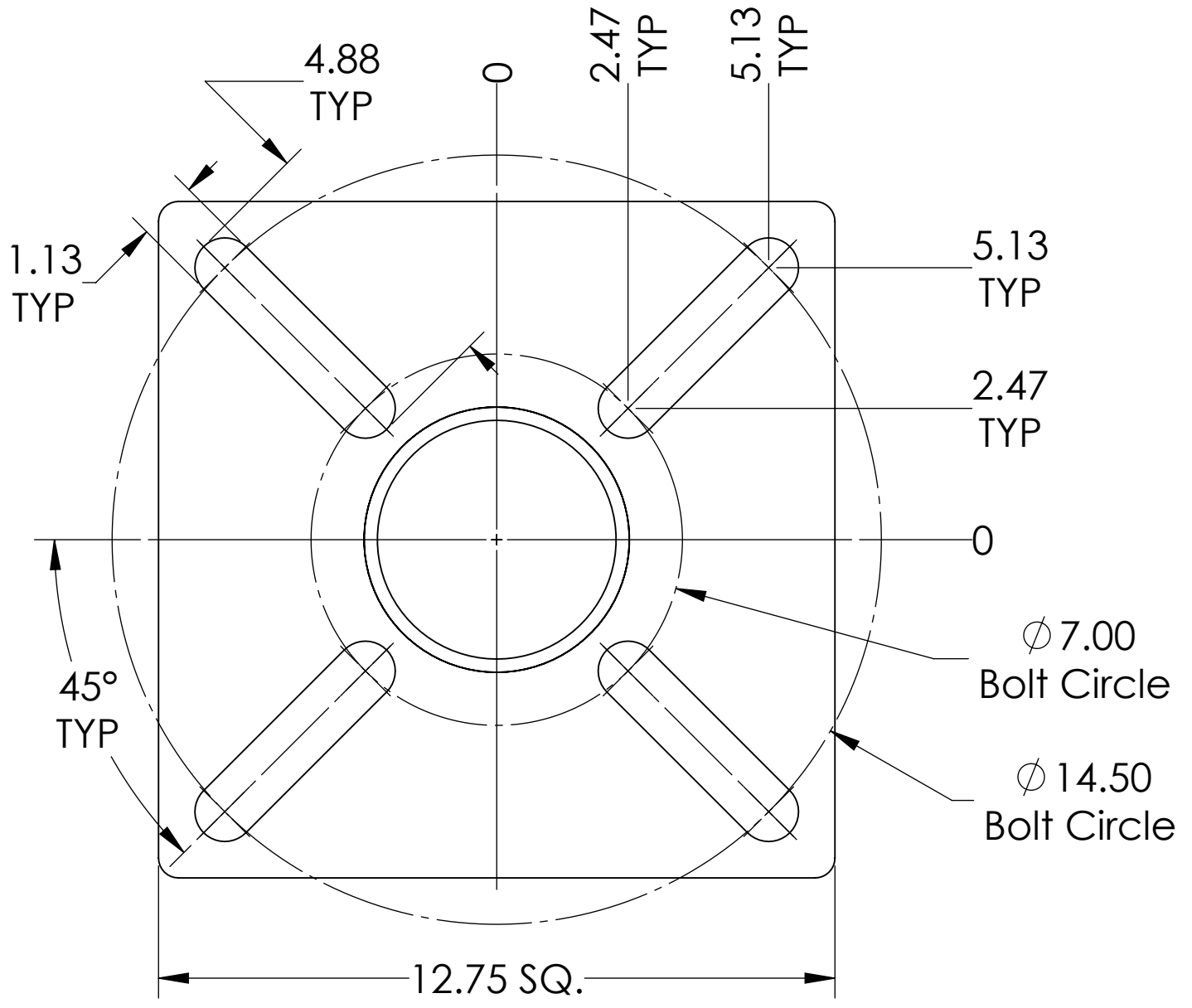


4

3


2

1



All dimensions and specifications are subject to change without any notice.

PROPRIETARY AND CONFIDENTIAL
 THE INFORMATION CONTAINED IN THIS DRAWING IS THE SOLE PROPERTY OF *Energy Light, Inc.* ANY REPRODUCTION IN PART OR AS A WHOLE WITHOUT THE WRITTEN PERMISSION OF *Energy Light, Inc.* IS PROHIBITED.

		UNLESS OTHERWISE SPECIFIED:		NAME	DATE	TITLE: Advanced Anchor Base Adapter					
		DIMENSIONS ARE IN INCHES		DRAWN	MKA			08-24-22			
		TOLERANCES:		ENG APPR.							
		FRACTIONAL: ± 1/64		MFG APPR.							
		ANGULAR: ± 0.5°		Q.A.			SIZE	ITEM NO.	REV		
		TWO PLACE DECIMAL ±0.01		 1881 Rose Road Lake Zurich, IL 60047			B	AABA			
		THREE PLACE DECIMAL ±0.005					SCALE: 1:3		WEIGHT: 52 lbs		SHEET 1 OF 1
NEXT ASSY		USED ON					FINISH				
APPLICATION		DO NOT SCALE DRAWING									

4

3

2

1

B

B

A

A