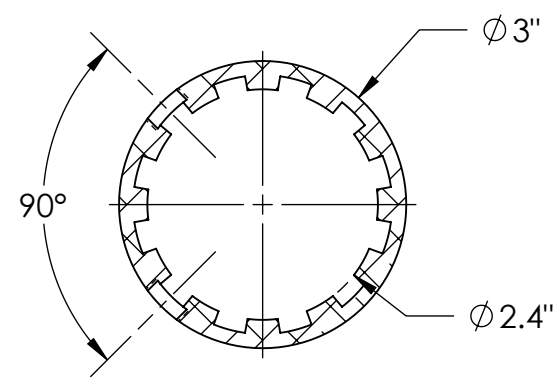
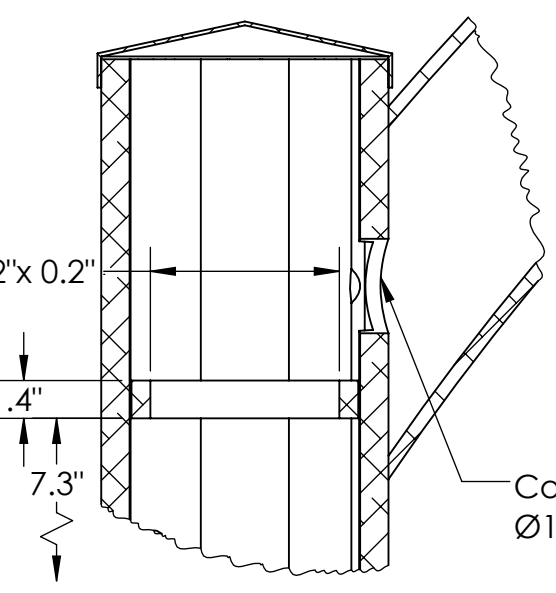
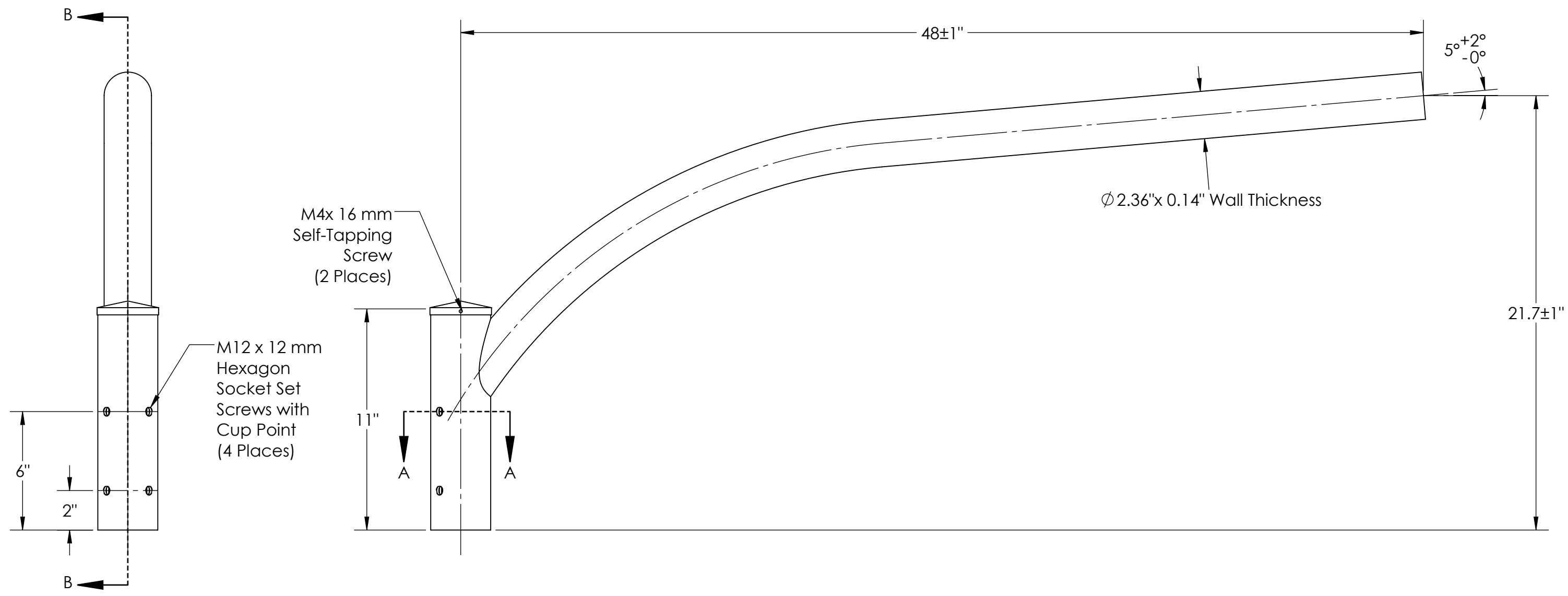


4

3

2

1



- 1. Bracket EPA: 0.8 ft²
- 2. Max Weight: 60 lbs.
- Max EPA: 1.8 ft²


SECTION B-B
SCALE 1 : 2

SECTION A-A
SCALE 1 : 2

NOTE:
ISOMETRIC VIEW SEE SHEET #2

All dimensions and specifications are subject to change without any notice.

PROPRIETARY AND CONFIDENTIAL
THE INFORMATION CONTAINED IN THIS DRAWING IS THE SOLE PROPERTY OF *Energy Light, Inc.* ANY REPRODUCTION IN PART OR AS A WHOLE WITHOUT THE WRITTEN PERMISSION OF *Energy Light, Inc.* IS PROHIBITED.

		UNLESS OTHERWISE SPECIFIED:		NAME	DATE
		DIMENSIONS ARE IN INCHES		DRAWN	MKA 07-08-24
		TOLERANCES:		ENG APPR.	
		FRACTIONAL ± 1/64		MFG APPR.	
		ANGULAR: ± 0.5°		Q.A.	
		TWO PLACE DECIMAL ±0.01			
		THREE PLACE DECIMAL ±0.005			
		INTERPRET GEOMETRIC TOLERANCING PER:		 1881 Rose Road Lake Zurich, IL 60047	
		MATERIAL			
		6060 Aluminum Alloy			
NEXT ASSY	USED ON	FINISH			
		Dark Natural Aluminum			
APPLICATION		DO NOT SCALE DRAWING			

TITLE:		
Aluminum Upsweep Top Bracket with Single 4-Foot Arm, Fits over a 2 3/8-inch Tenon		
SIZE	ITEM NO.	REV
B	ALBRU41	
SCALE: 1:5	WEIGHT:	SHEET 1 OF 1

4

3

2

1