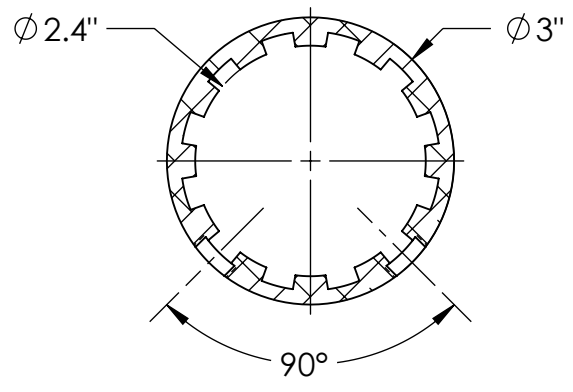
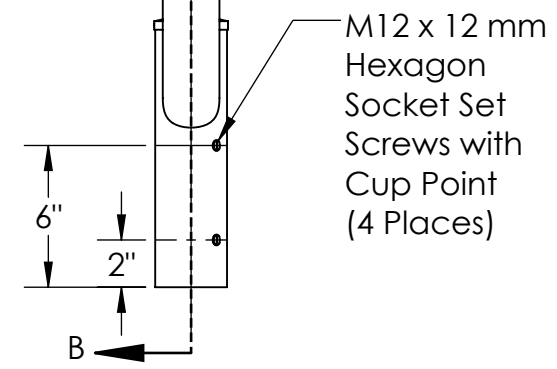
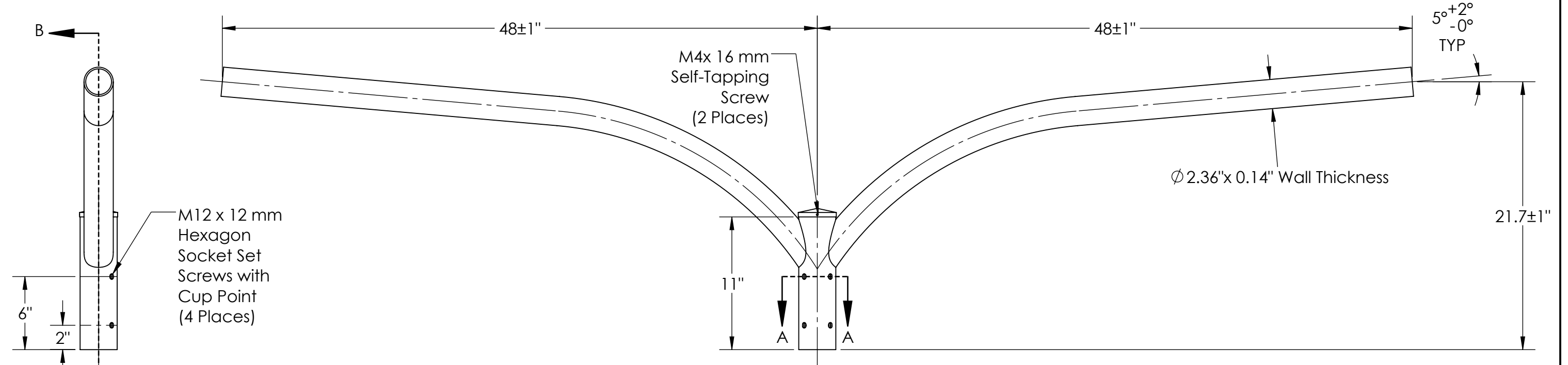


4

3

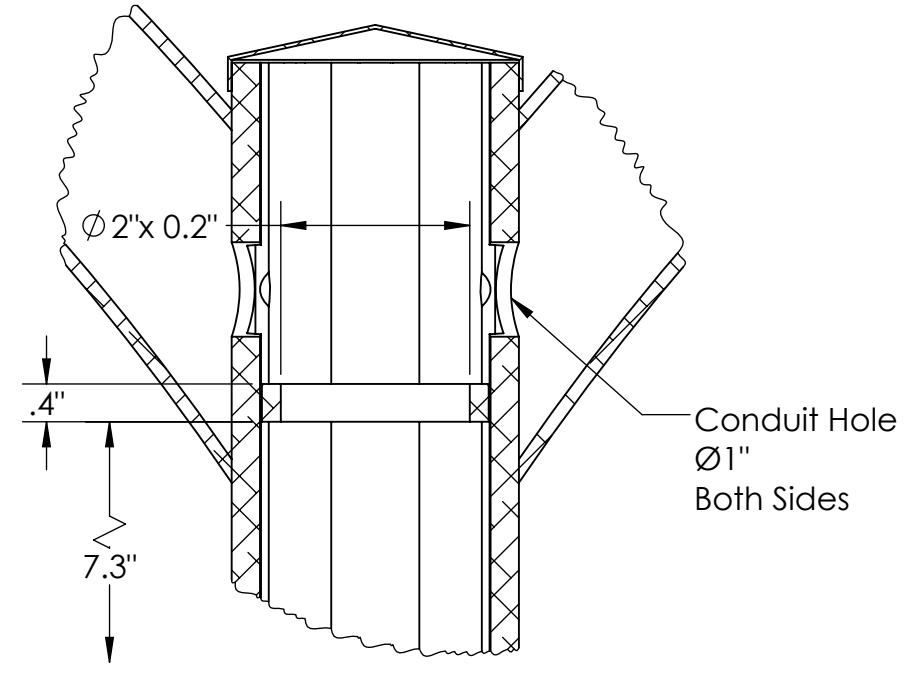
2

1



SECTION A-A
SCALE 1 : 2

- 1. Bracket EPA: 1.6 ft²
- 2. Max Weight: 60 lbs per Arm*
Max EPA: 3.6 ft²*
- *Max. values assume balanced loading
(i.e. two identical fixtures)




SECTION B-B
SCALE 1 : 2

NOTE:
ISOMETRIC VIEW SEE SHEET #2

All dimensions and specifications are subject to change without any notice.

PROPRIETARY AND CONFIDENTIAL
 THE INFORMATION CONTAINED IN THIS DRAWING IS THE SOLE PROPERTY OF *Energy Light, Inc.* ANY REPRODUCTION IN PART OR AS A WHOLE WITHOUT THE WRITTEN PERMISSION OF *Energy Light, Inc.* IS PROHIBITED.

		UNLESS OTHERWISE SPECIFIED:		NAME	DATE	TITLE: Aluminum Upsweep Top Bracket with Two 4-Foot Arms, Fits over a 2 3/8-inch Tenon			
		DIMENSIONS ARE IN INCHES		DRAWN	MKA			07-08-24	
		TOLERANCES:		END APPR.					
		FRACTIONAL: ± 1/64		MFG APPR.					
		ANGULAR: ± 0.5°		Q.A.			SIZE	ITEM NO.	REV
		TWO PLACE DECIMAL ±0.01		 1881 Rose Road Lake Zurich, IL 60047			B	ALBRU42	
		THREE PLACE DECIMAL ±0.005					SCALE: 1:8	WEIGHT:	SHEET 1 OF 1
NEXT ASSY		USED ON							
APPLICATION		DO NOT SCALE DRAWING							

4

3

2

1