

CROWN Series

For wall illumination from perimeter pelmet

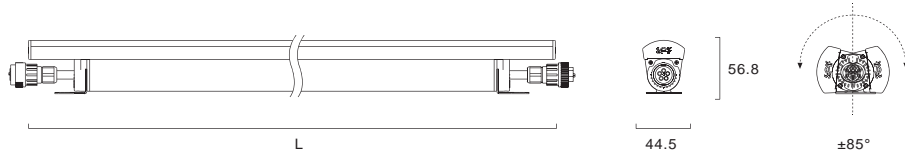


IP66 water proof achieved by special designed cable connector, which made CROWN applicable at outdoor spaces. Linkable cove light generates continuous lighting in longer distance, and this indirect lighting minimizes the harm to human eye and made visual effect more smooth and comfortable.

Key features :

- Luminous Flux: 1050 lm/4200 lm/6300 lm @840
- Luminaire efficacy: 105 lm/W@840
- CRI min.: 80
- CCT: 2700K,3000K,4000K
- Life time: 50000h (L70, B50, Ta=25°C, 12hours/Day)
- Luminaire input power: 10W 40W 60W
- Dimensions: 300/1120/1778 X 44.5X56.8mm
- Weight: 620/1716/2500g
- Impact resistance: IK07
- Protection class: IP66

Dimensions: (mm)



Length: (mm)

CROWN-L24-277V	300
CROWN-L90-277V	1120
CROWN-L144-277V	1778

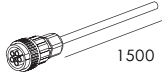
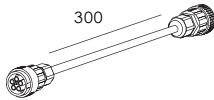
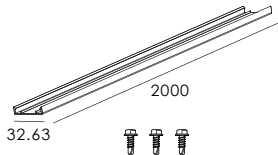
Specifications:

Order No.	Model	Input Voltage ^[1] (VAC)	frequency (HZ)	Power Factor ^[2]	power ^[1] (W)	CCT ^[3] (K)	Ra ^[4] (Typ.)	Beam Angle ^[5]	Luminous Flux ^[6] (lm)	Luminaire efficacy ^[7] (lm/w)
1030-100140-0130	CROWN-L24-277V	120-277	-	1	10W	2700	80	120°	1050	105
1030-100140-0131						3000			1050	105
1030-100040-0130						4000			1050	105
1030-190114-0130	CROWN-L90-277V	120-277	-	1	40W	2700	80	120°	4200	105
1030-190114-0131						3000			4200	105
1030-190014-0130						4000			4200	105
1030-100141-0130	CROWN-L144-277V	120-277	-	1	60W	2700	80	120°	6300	105
1030-100141-0131						3000			6300	105
1030-100041-0130						4000			6300	105

Model	LED power supply	Color	IP code	ta(°C)	Dimmable	Dimming	Lighting control unit	Controlling	Max.Linkable (PCS) ^[8]	Weight (g)
CROWN-L24-277V	-	Silver	IP66	-20~35	True	1-10V (10%-100%)	False	-	160	620
CROWN-L90-277V									40	1716
CROWN-L144-277V									40	2500

- [1]: Measurement precision for input voltage/current /power +/- 10%.
- [2]: Minimum power factor is rated value - 0.05.
- [3]: Comply with ANSI C78.377, Meat color is available upon orders, please contact sales for more information.
- [4]: Minimum Ra(TYP.) is rated value - 2.
- [5]: Beam angle ≤20°, measurement precision +/- 20%; beam angle >20°, measurement precision +/- 15 %.
- [6]: Minimum Luminous flux is 90% of rated value.
- [7]: Minimum Luminaire efficacy is 90% of rated value.
- [8]: Based on: grand total of luminaires Power should not exceed 80% of rated power output of LED power supply.

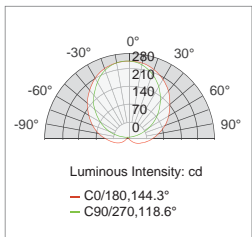
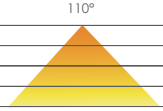
Accessories:

Order No.	Description	Length(mm)	Weight(g)
1099-013643-0131	 <p>Input cable X2</p>	1500	-
1099-013643-0132	 <p>Soft connector X2</p>	300	-
1099-013870-0130	 <p>track X2</p>	2000	-

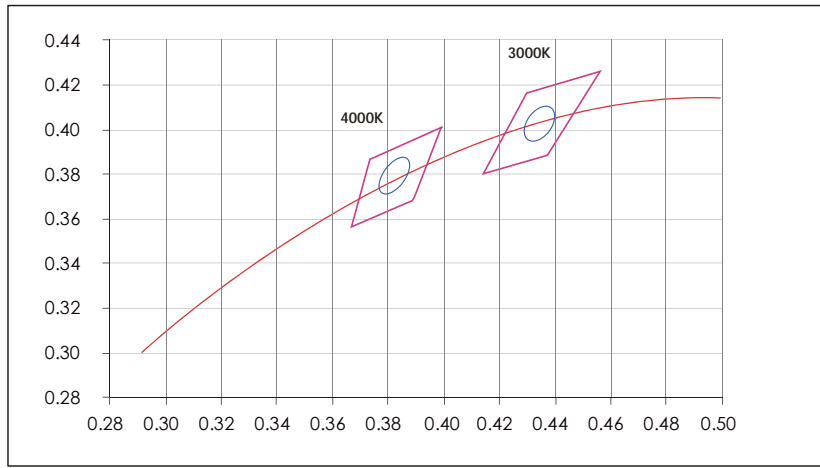
Photometrics:

Vertical & Horizontal Beamwidth Center Beam Lux

	CROWN-L24-277V			CROWN-L90-277V			CROWN-L144-277V		
	2700K	3000K	4000K	2700K	3000K	4000K	2700K	3000K	4000K
0.30 m	2842	3013	3194	4801	5089	5394	4913	5208	5521
0.45 m	1362	1444	1531	3006	3186	3377	3200	3392	3595
0.60 m	789	836	886	2072	2196	2328	2311	2450	2597
0.75 m	511	542	575	1506	1596	1692	1759	1865	1977
H	1050 lm	1050 lm	1050 lm	4200 lm	4200 lm	4200 lm	6300 lm	6300 lm	6300 lm



Color Bin Definition



- Black Body Locus
- 3 SDCM
- 7 SDCM

Chromaticity tolerance (initial MacAdam): 3 SDCM
 Color coordinates (CIEx, CIEy): 3000K(0.422,0.386), 4000K(0.374,0.364)
 Measurement precision for x ,y +/- 0.005

Certification and Safety:



Protection class: IP66
Dimmable

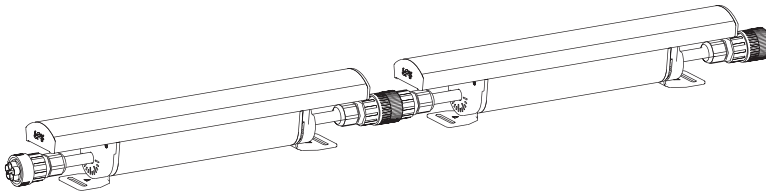
Standards:

EN60598-1, EN62031, EN62471, EN55015, UL1598, UL1310, UL8750

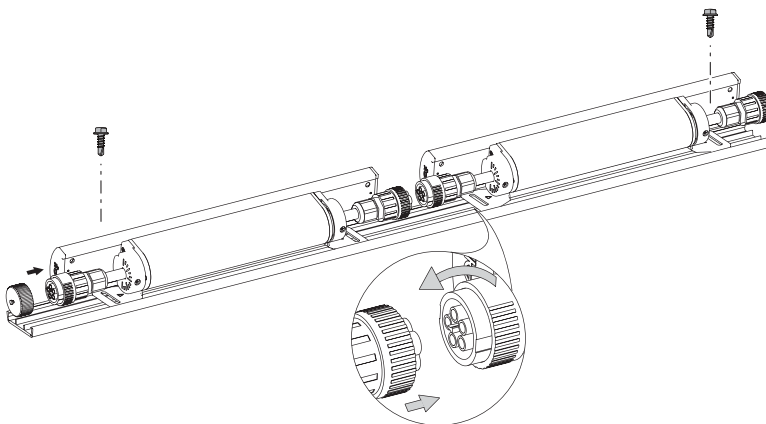


Installation:

Install LED fixtures on the cove directly with screws



Install LED fixtures on the mounting track



Sales & Technical Support

SELF Electronics Germany GmbH

August-Horch-Str. 7, 51149 Cologne

Phone: +492203-18501-0

Fax: 492203-18501-199

E-mail: saleseu@self-electronics.com

SELF Electronics Co.,Ltd.(Headquarters)

Add: No. 1345 JuXian Road, Ningbo Hi Tech Park, Ningbo, China 315103

Phone: +86-574-2880-5765, +86-574-2880-5658 (for English assistance)

+86-574-2880-5678 (for Chinese assistance)

Fax: +86-574-28805656

E-mail: sales@self-electronics.com

<http://www.self-electronics.com>

SELF Electronics Co.,Ltd.,Shenzhen Office

Room2007, Xinglang Xuan, Xinghe Mingju, Fuming Road, Futian District, Shenzhen

Phone: +0086-755-83558850, +86-775-83558851

Fax: +0086-755-83558840

E-mail: szsales@self-electronics.com

* Due to continuous improvements and innovations, specifications may change without notice.