

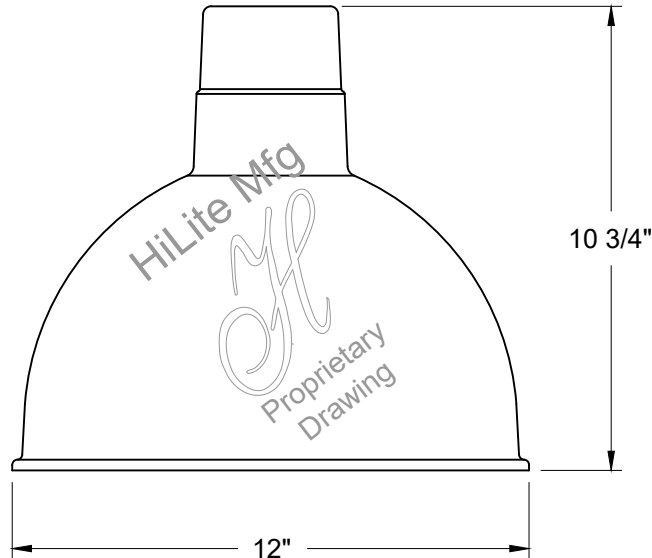


**HI-LITE MFG.  
CO., INC**

13450 Monte Vista Avenue  
Chino, California 91710  
Telephone: (909) 465-1999  
Toll Free: (800) 465-0211  
Fax: (909) 465-0907  
web: www.hilitemfg.com  
e-mail: sales@hilitemfg.com

**H-QSN16112  
Deep Bowl Collection**

Job Name:
Type:
Quantity:



**FINISH** -Multi-stage pretreatment procedure using materials of polyester/polished powder coat, baking enamel liquid, raw metals, and galvanized finishes.

Finishes are: 91 (Black), 93 (White), 96 (Galvanized), 145 (Oil Rubbed Bronze)

All shades to be painted white inside except 96-Galvanized.

**MOUNTING** - Cord: C (8' Black Cord & Canopy)

Stem: H-QSN12"ST3, H-QSN24"ST3, H-QSN36"ST3

Arm: H-QSNB-13, H-QSNB-42, H-QSNB-44, H-QSNHL-A, H-QSNHL-C, H-QSNHL-H

**REFLECTOR** - Heavy duty, spun shade, aluminum 6061-0 construction

**CANOPIES** (Available for stem mount only) - H-QSNHDSMC, H-QSNHSC

**ACCESSORIES**- H-QSNWGR-12", H-QSNSK

**SOCKETS/LAMPS** - Available in: Incandescent -rated 200-watt max/120-volt, medium base

**MADE IN THE U.S.A.**

UL Wet (Arm)  
UL Damp (Stem)  
UL Dry (Cord)

