

4

3

2

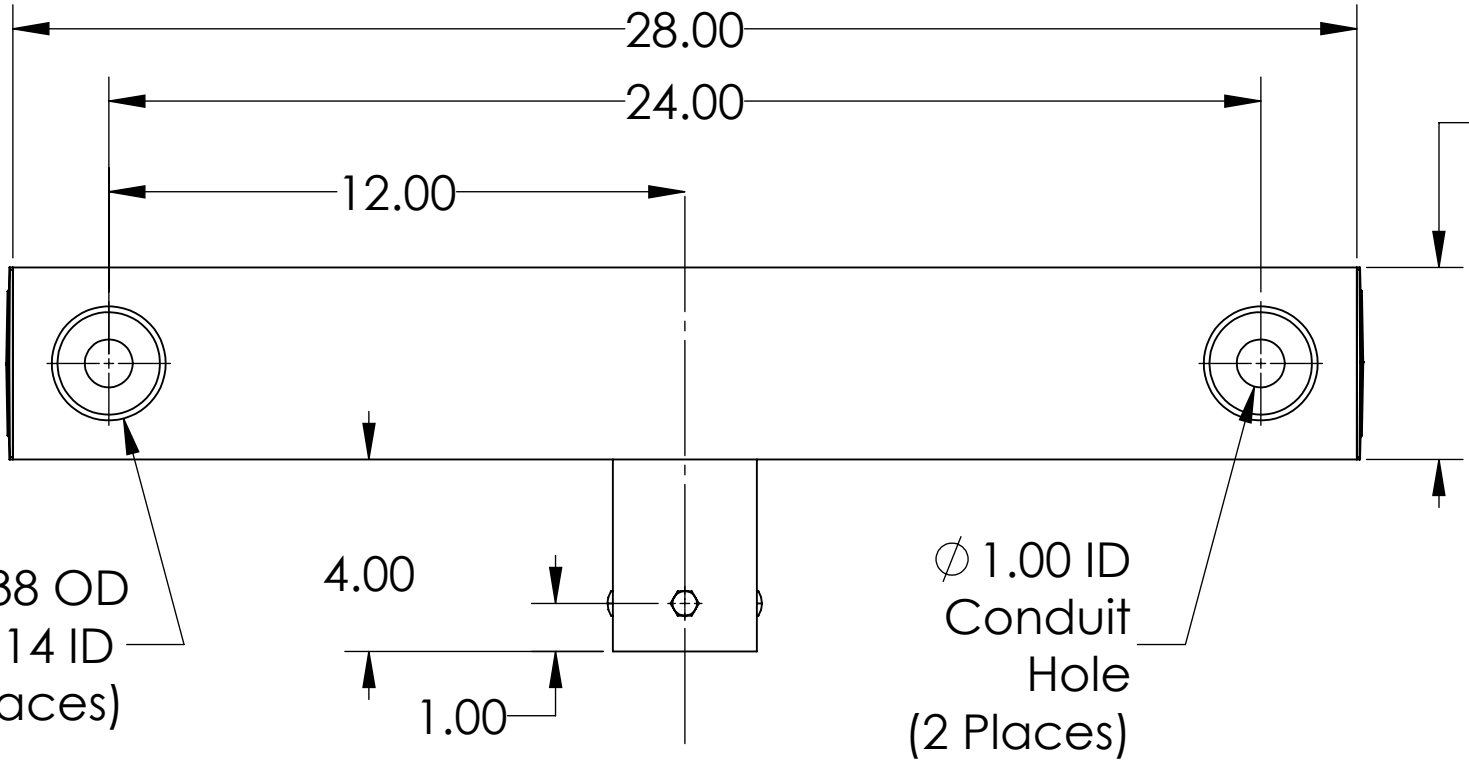
1

B

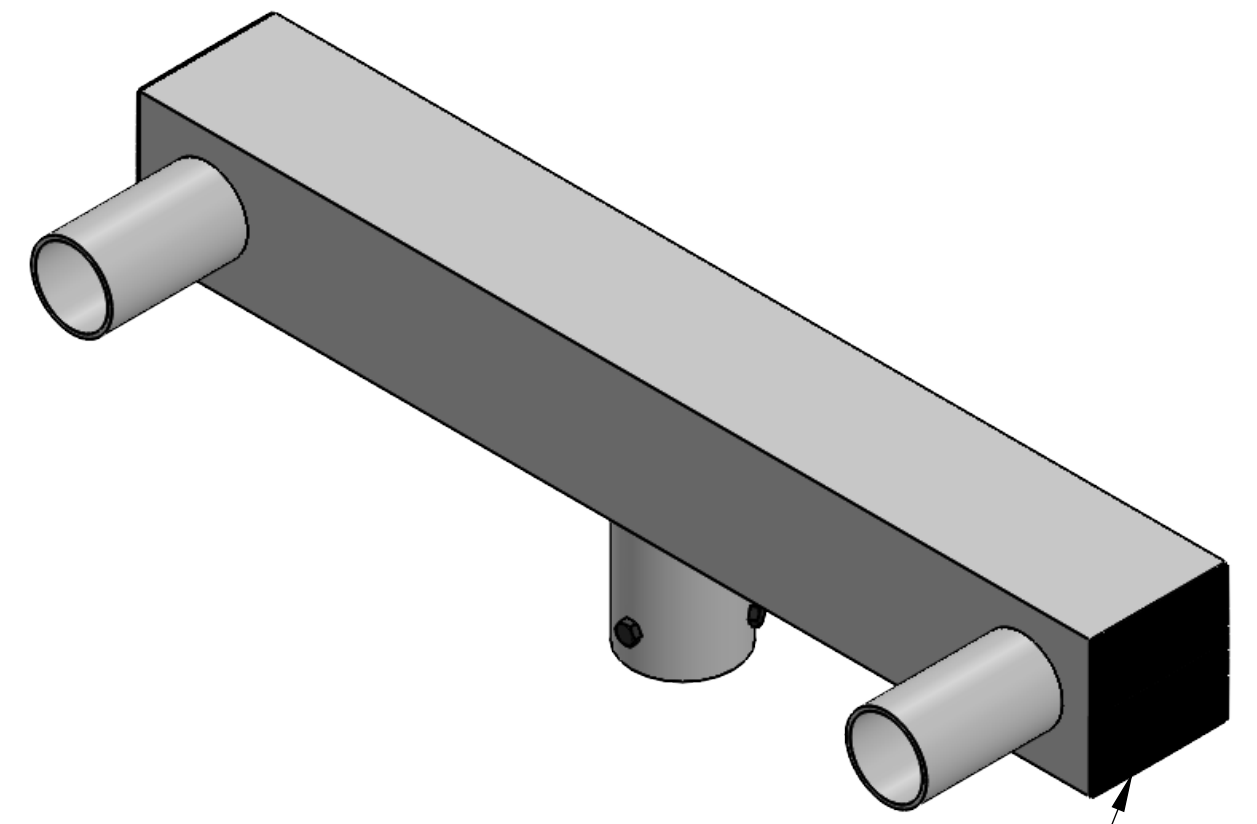
B

A

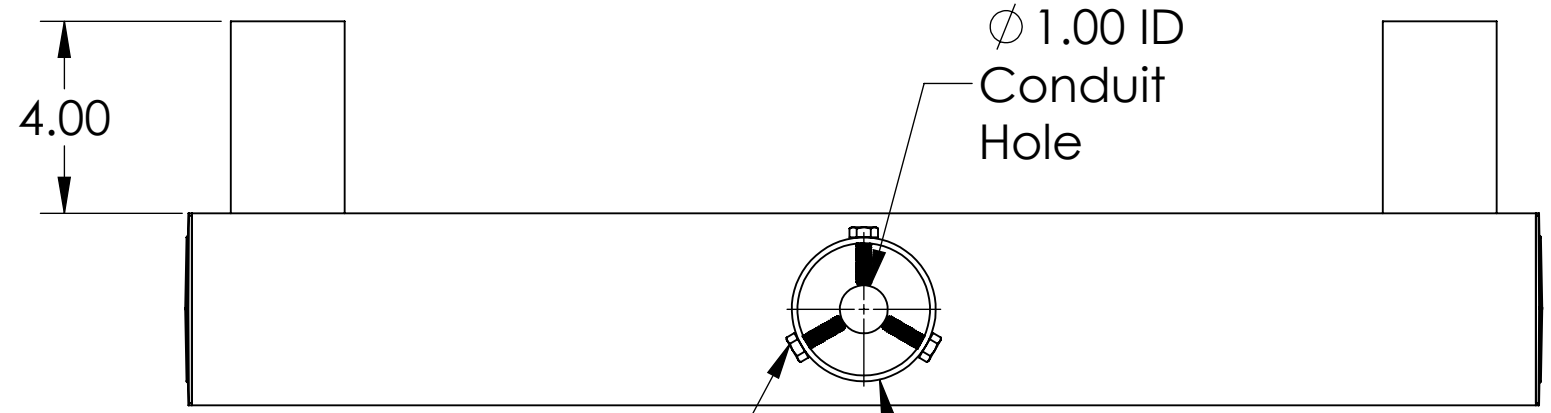
A



4.00 SQ. OD
3.76 SQ ID



4" Standard Square Pole Cap
(2 Places)




Hex Head Screw
Black Oxide
M8 x 1.25 Thread, 25mm
3 Places 120° Apart

$\phi 3.00$ OD
 $\phi 2.76$ ID
Slip Fit

All dimensions and specifications are subject to change without any notice.

PROPRIETARY AND CONFIDENTIAL
THE INFORMATION CONTAINED IN THIS DRAWING IS THE SOLE PROPERTY OF *Energy Light, Inc.* ANY REPRODUCTION IN PART OR AS A WHOLE WITHOUT THE WRITTEN PERMISSION OF *Energy Light, Inc.* IS PROHIBITED.

		UNLESS OTHERWISE SPECIFIED:		NAME	DATE	TITLE:		
		DIMENSIONS ARE IN INCHES TOLERANCES: FRACTIONAL $\pm 1/64$ ANGULAR: $\pm 0.5^\circ$ TWO PLACE DECIMAL ± 0.01 THREE PLACE DECIMAL ± 0.005		DRAWN	MKA	11-09-20	Low Profile Bullhorn with 2 Horizontal Tenons	
		INTERPRET GEOMETRIC TOLERANCING PER:		ENG APPR.				
		MATERIAL		MFG APPR.				
		STEEL		Q.A.			SIZE	
NEXT ASSY	USED ON	FINISH		 Energy Light, Inc 1881 Rose Road Lake Zurich, IL 60047		ITEM NO.		
APPLICATION		DO NOT SCALE DRAWING				B		HZ10034
						SCALE: 1:4	WEIGHT: 16 lbs	REV
								SHEET 1 OF 1

4

3

2

1