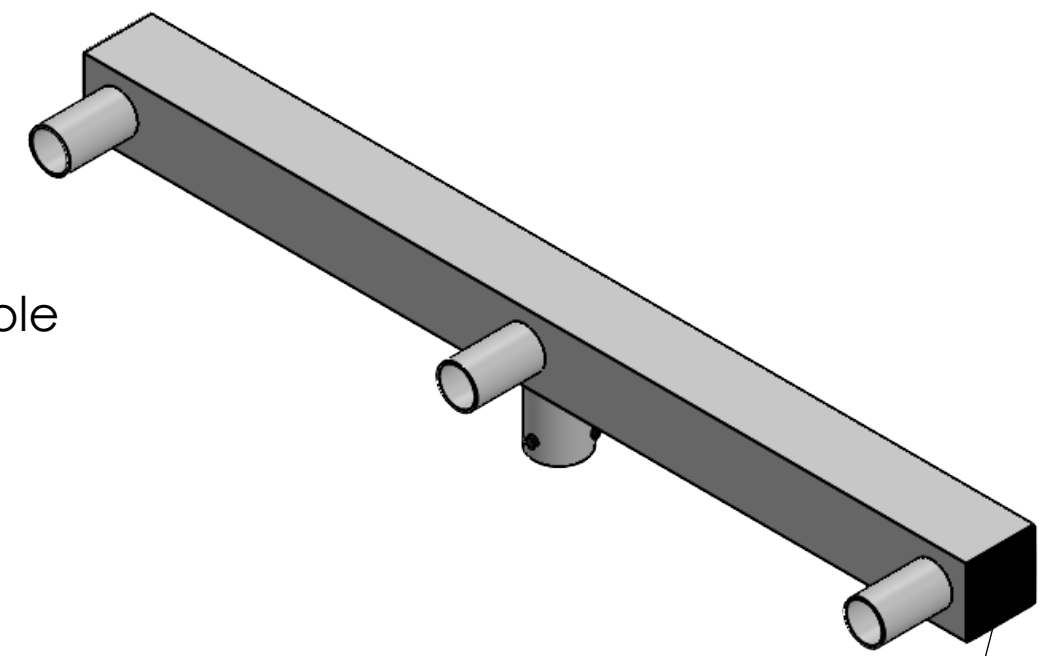
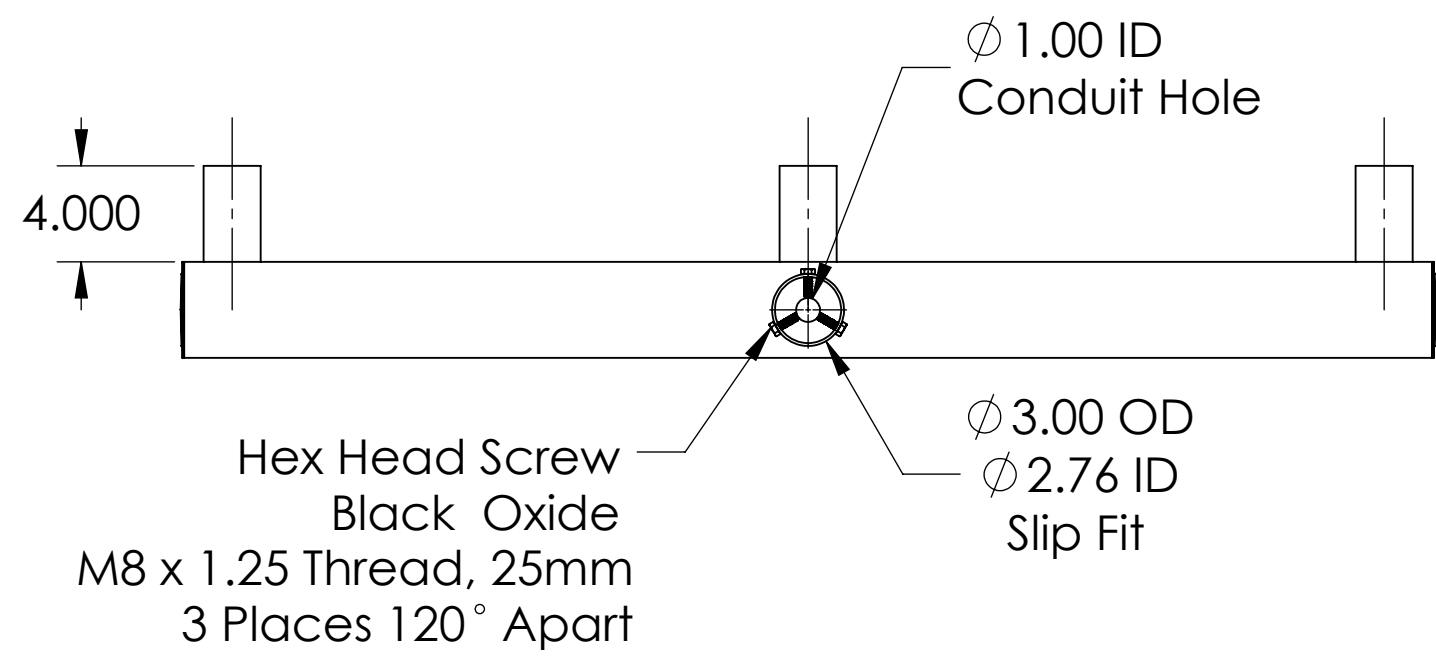
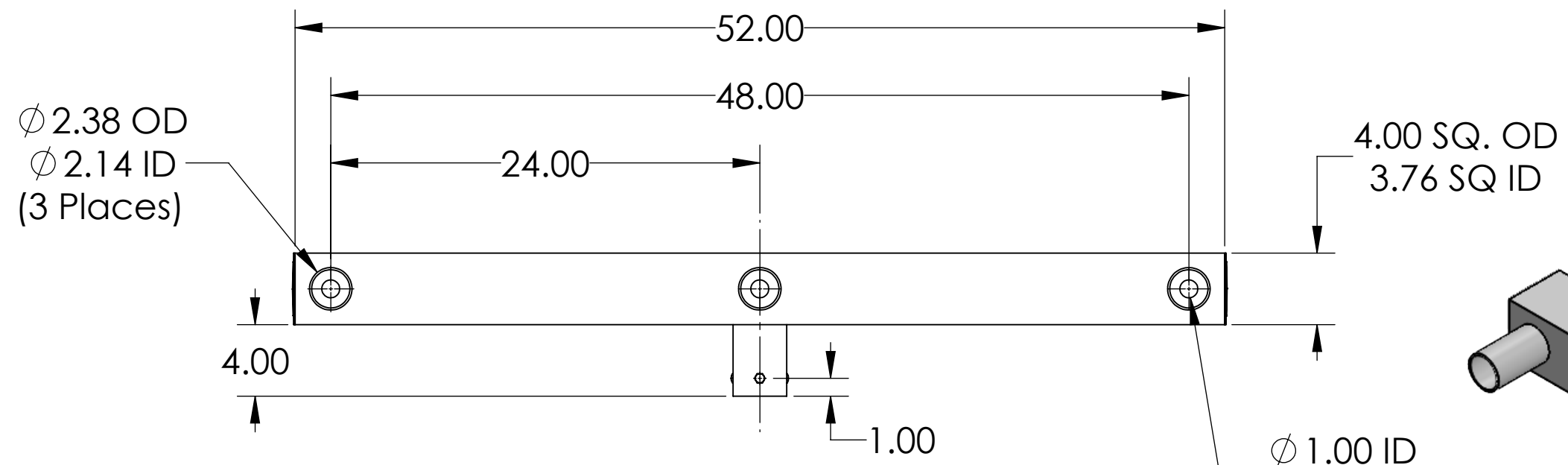


4

3

2


1



4" Standard Square Pole Cap (2 Places)

All dimensions and specifications are subject to change without any notice.

PROPRIETARY AND CONFIDENTIAL
 THE INFORMATION CONTAINED IN THIS DRAWING IS THE SOLE PROPERTY OF *Energy Light, Inc.* ANY REPRODUCTION IN PART OR AS A WHOLE WITHOUT THE WRITTEN PERMISSION OF *Energy Light, Inc.* IS PROHIBITED.

		UNLESS OTHERWISE SPECIFIED:		NAME	DATE
		DIMENSIONS ARE IN INCHES TOLERANCES: FRACTIONAL $\pm 1/64$ ANGULAR: $\pm 0.5^\circ$ TWO PLACE DECIMAL ± 0.01 THREE PLACE DECIMAL ± 0.005		DRAWN	MKA 11-18-20
		INTERPRET GEOMETRIC TOLERANCING PER:		ENG APPR.	
		MATERIAL		MFG APPR.	
		STEEL		Q.A.	
NEXT ASSY	USED ON	FINISH		 Energy Light, Inc. 1881 Rose Road Lake Zurich, IL 60047	
APPLICATION		DO NOT SCALE DRAWING			

TITLE:		
Low Profile Bullhorn with 3 Horizontal Tenons Inline		
SIZE	ITEM NO.	REV
B	HZ10035	
SCALE: 1:8	WEIGHT: 31 lbs	SHEET 1 OF 1

4

3

2

1

B

B

A

A