

4

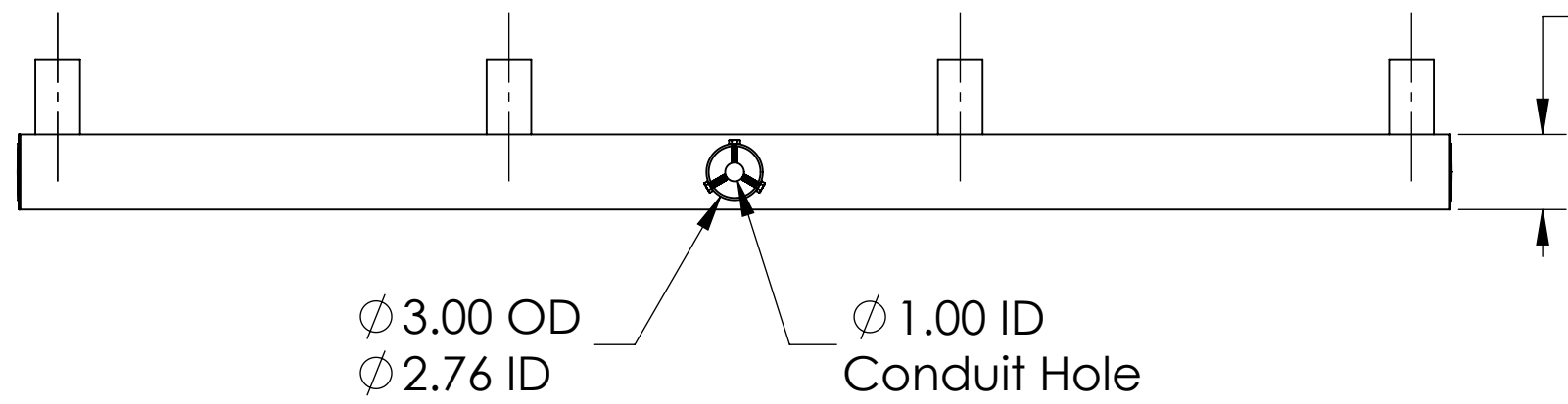
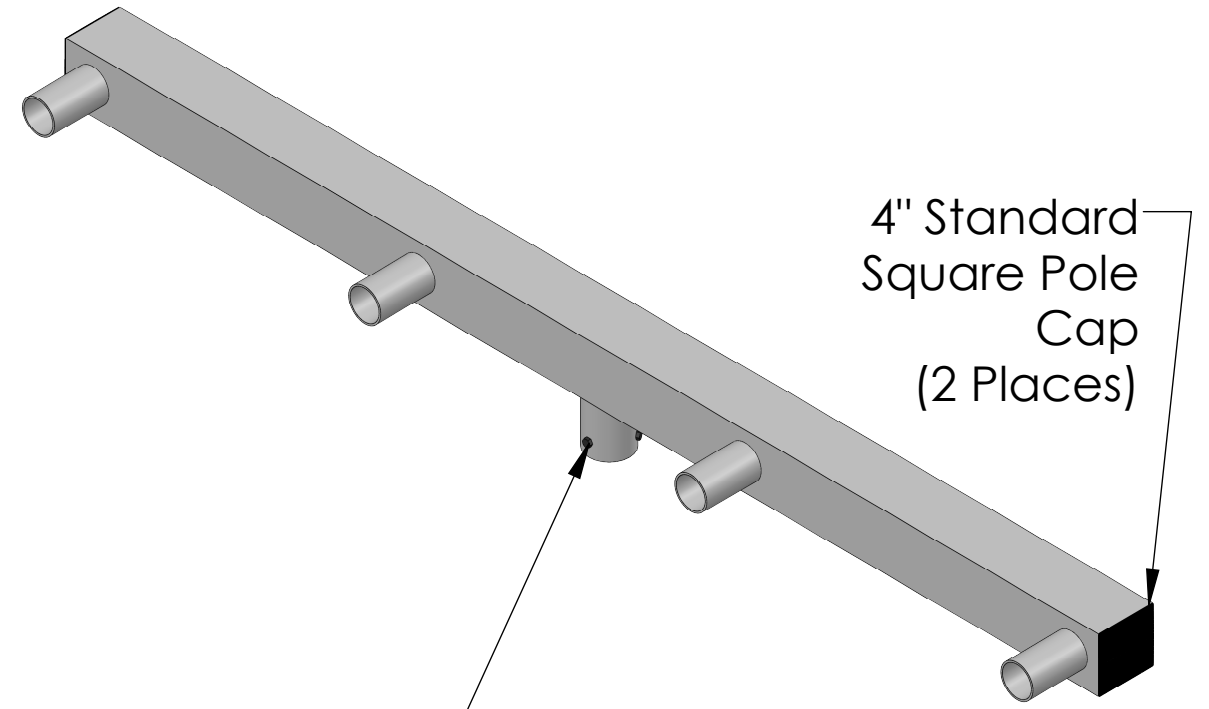
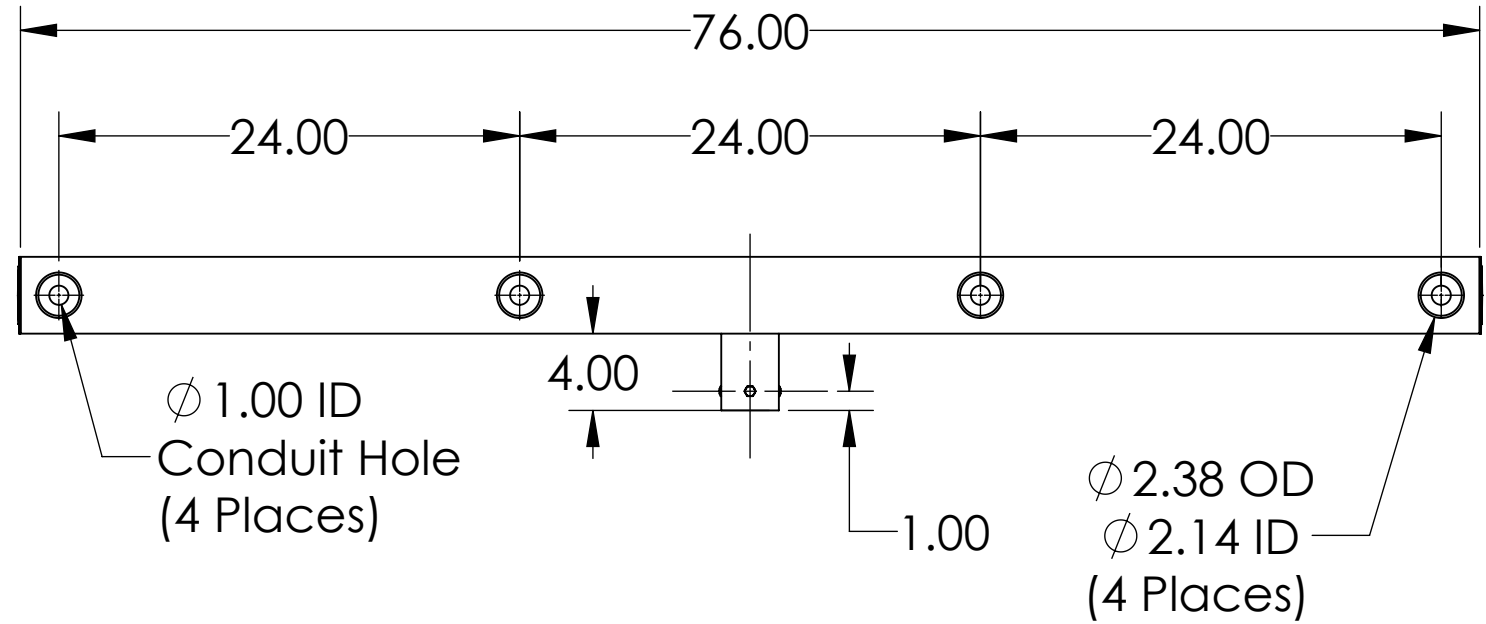
3

2

1

B

B



4.00 SQ OD
3.76 SQ ID

Hex Head Screw
M8x1.25 25 mm Long
Black Oxide
3 Places 120° Apart

A

A

EPA(ft²) : 3.6

All dimensions and specifications are subject to change without any notice.

PROPRIETARY AND CONFIDENTIAL
THE INFORMATION CONTAINED IN THIS DRAWING IS THE SOLE PROPERTY OF *Energy Light, Inc.* ANY REPRODUCTION IN PART OR AS A WHOLE WITHOUT THE WRITTEN PERMISSION OF *Energy Light, Inc.* IS PROHIBITED.

		UNLESS OTHERWISE SPECIFIED:		NAME	DATE
		DIMENSIONS ARE IN INCHES		DRAWN	MKA 11-18-20
		TOLERANCES:		ENG APPR.	
		FRACTIONAL $\pm 1/64$		MFG APPR.	
		ANGULAR: $\pm 0.5^\circ$		Q.A.	
		TWO PLACE DECIMAL ± 0.01			
		THREE PLACE DECIMAL ± 0.005			
		INTERPRET GEOMETRIC TOLERANCING PER:		<p>Energy Light, Inc. 1881 Rose Road Lake Zurich, IL 60047</p>	
		MATERIAL			
		STEEL			
NEXT ASSY	USED ON	FINISH			
APPLICATION		DO NOT SCALE DRAWING			

TITLE:		
Low Profile Bullhorn with 4 Horizontal Tenons Inline		
SIZE	ITEM NO.	REV
B	HZ10037	
SCALE: 1:10	WEIGHT: 33 lbs	SHEET 1 OF 1

4

3

2

1