

4

3

2

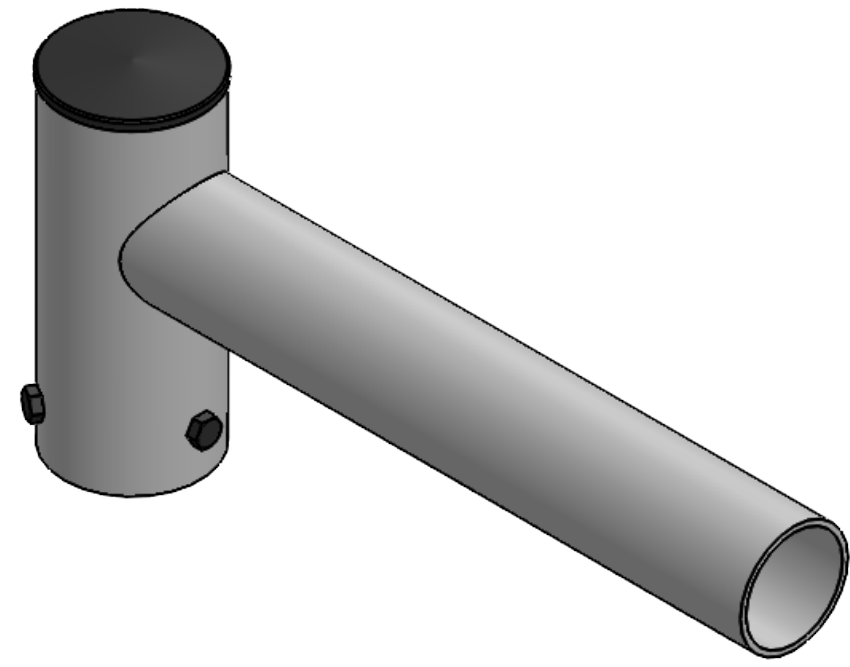
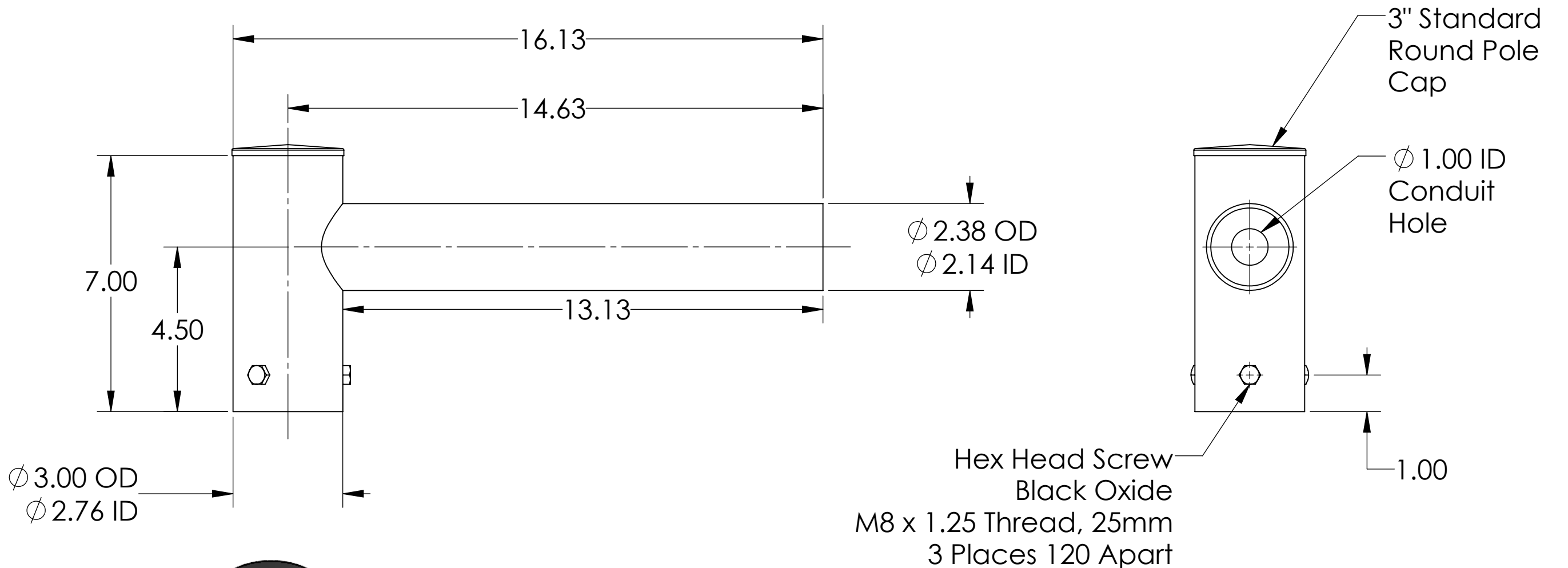
1

B

B


A

A



All dimensions and specifications are subject to change without any notice.

**PROPRIETARY AND CONFIDENTIAL**  
 THE INFORMATION CONTAINED IN THIS DRAWING IS THE SOLE PROPERTY OF *Energy Light, Inc.* ANY REPRODUCTION IN PART OR AS A WHOLE WITHOUT THE WRITTEN PERMISSION OF *Energy Light, Inc.* IS PROHIBITED.

		UNLESS OTHERWISE SPECIFIED:		NAME	DATE	TITLE:	
		DIMENSIONS ARE IN INCHES TOLERANCES: FRACTIONAL ± 1/64 ANGULAR: ± 0.5° TWO PLACE DECIMAL ±0.01 THREE PLACE DECIMAL ±0.005		DRAWN	MKA	11-23-20	<b>Spoke Bracket with Single Arm</b>
		INTERPRET GEOMETRIC TOLERANCING PER:		ENG APPR.			
		MATERIAL		MFG APPR.			
		STEEL		Q.A.			SIZE
NEXT ASSY	USED ON	FINISH		 Energy Light, Inc. 1881 Rose Road Lake Zurich, IL 60047		ITEM NO.	
APPLICATION		DO NOT SCALE DRAWING				<b>B</b>	
						SCALE: 1:3	WEIGHT: 5 lbs
						SHEET 1 OF 1	

4

3

2

1