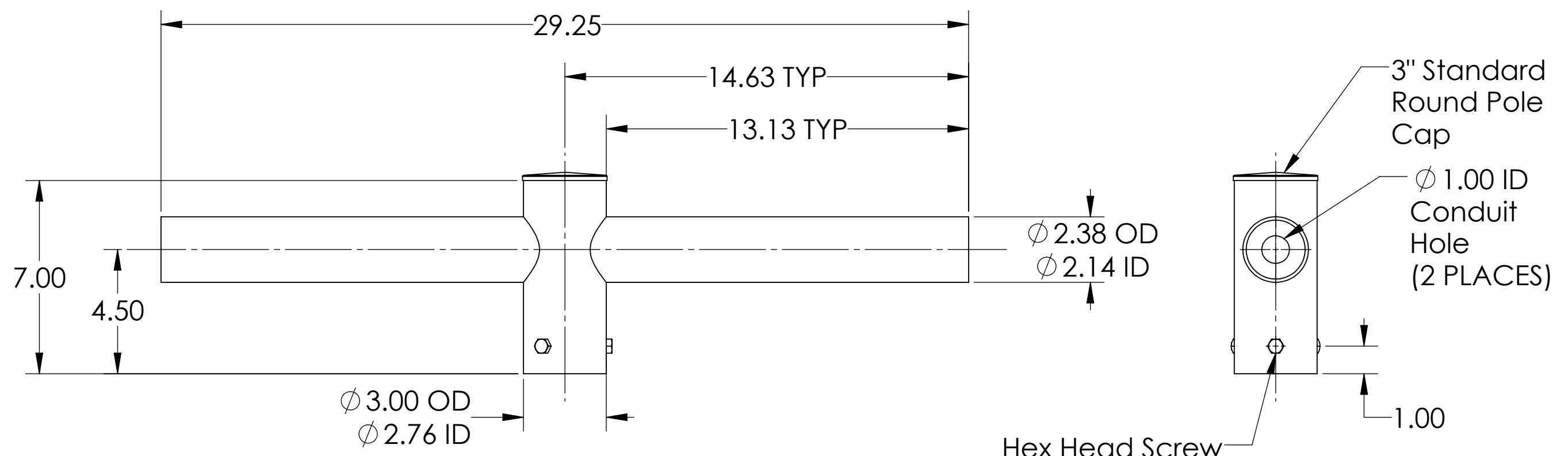


4

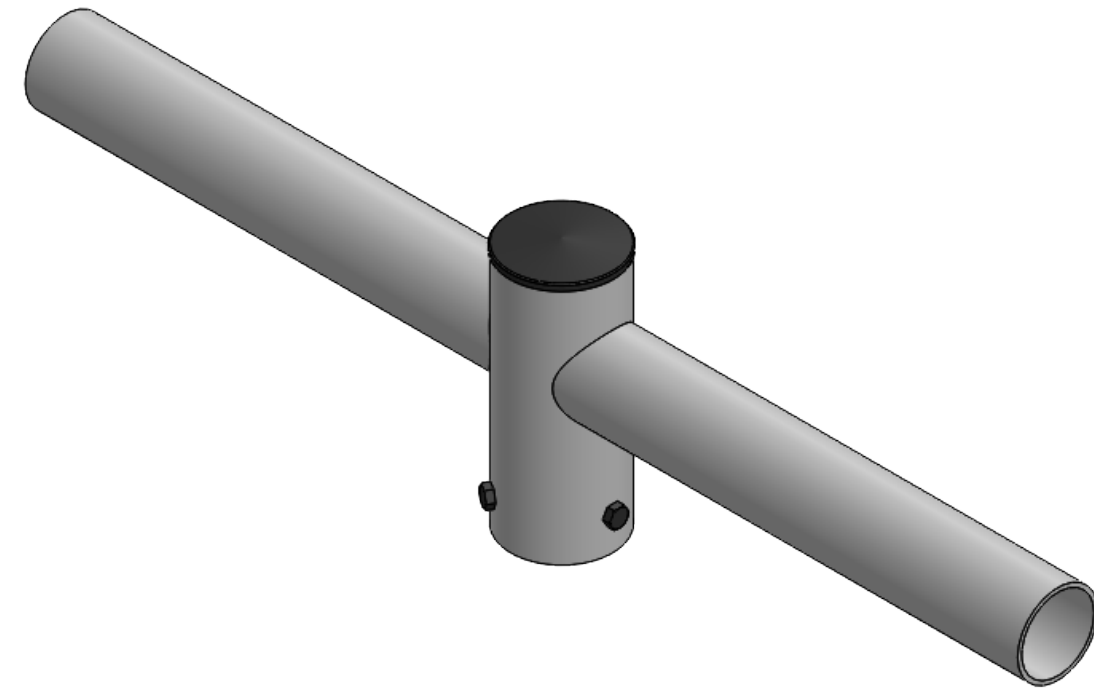
3

2

1




Hex Head Screw
 Black Oxide
 M8 x 1.25 Thread, 25mm
 3 Places 120 Apart



All dimensions and specifications are subject to change without any notice.

PROPRIETARY AND CONFIDENTIAL
 THE INFORMATION CONTAINED IN THIS DRAWING IS THE SOLE PROPERTY OF *Energy Light, Inc.* ANY REPRODUCTION IN PART OR AS A WHOLE WITHOUT THE WRITTEN PERMISSION OF *Energy Light, Inc.* IS PROHIBITED.

		UNLESS OTHERWISE SPECIFIED:		NAME	DATE	TITLE: Spoke Bracket with 2 Arms at 180°		
		DIMENSIONS ARE IN INCHES TOLERANCES: FRACTIONAL ± 1/64 ANGULAR: ± 0.5° TWO PLACE DECIMAL ±0.01 THREE PLACE DECIMAL ±0.005		DRAWN	MKA			11-23-20
		INTERPRET GEOMETRIC TOLERANCING PER:		ENG APPR.				
		MATERIAL STEEL		MFG APPR.				
NEXT ASSY	USED ON	FINISH		 Energy Light, Inc. 1881 Rose Road Lake Zurich, IL 60047		SIZE B	ITEM NO. PTB218	REV
APPLICATION		DO NOT SCALE DRAWING				SCALE: 1:4	WEIGHT: 9 lbs	SHEET 1 OF 1

4

3

2

1

B

B

A

A