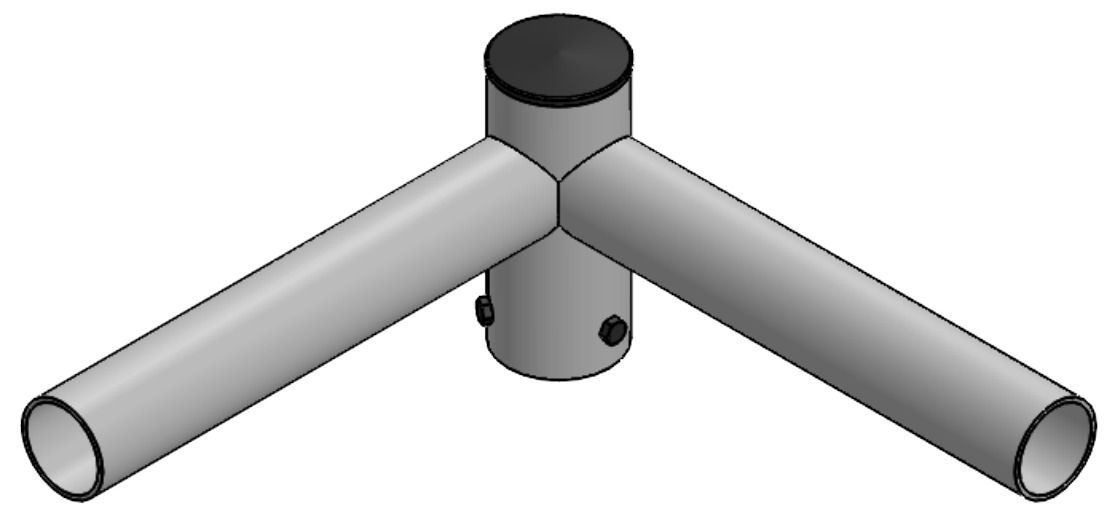
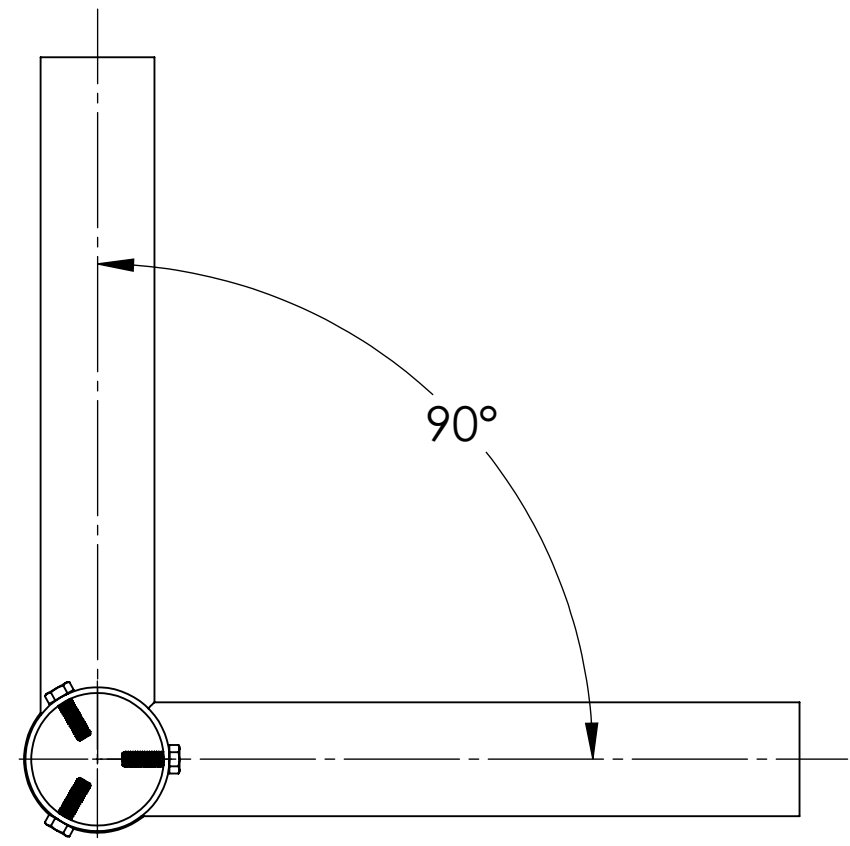
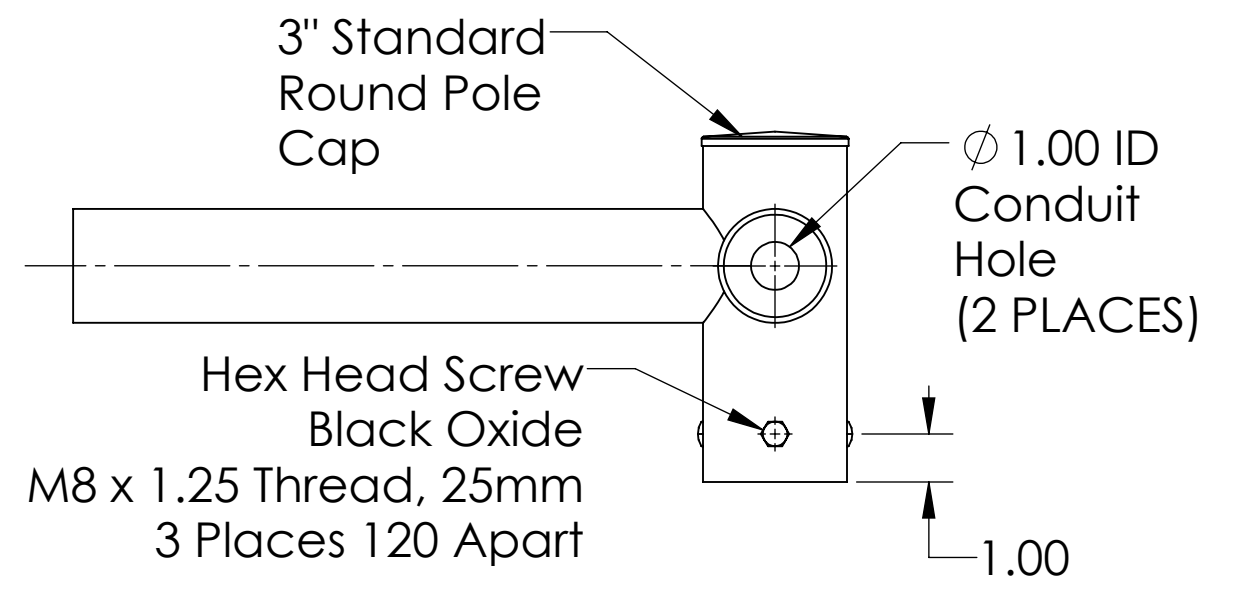
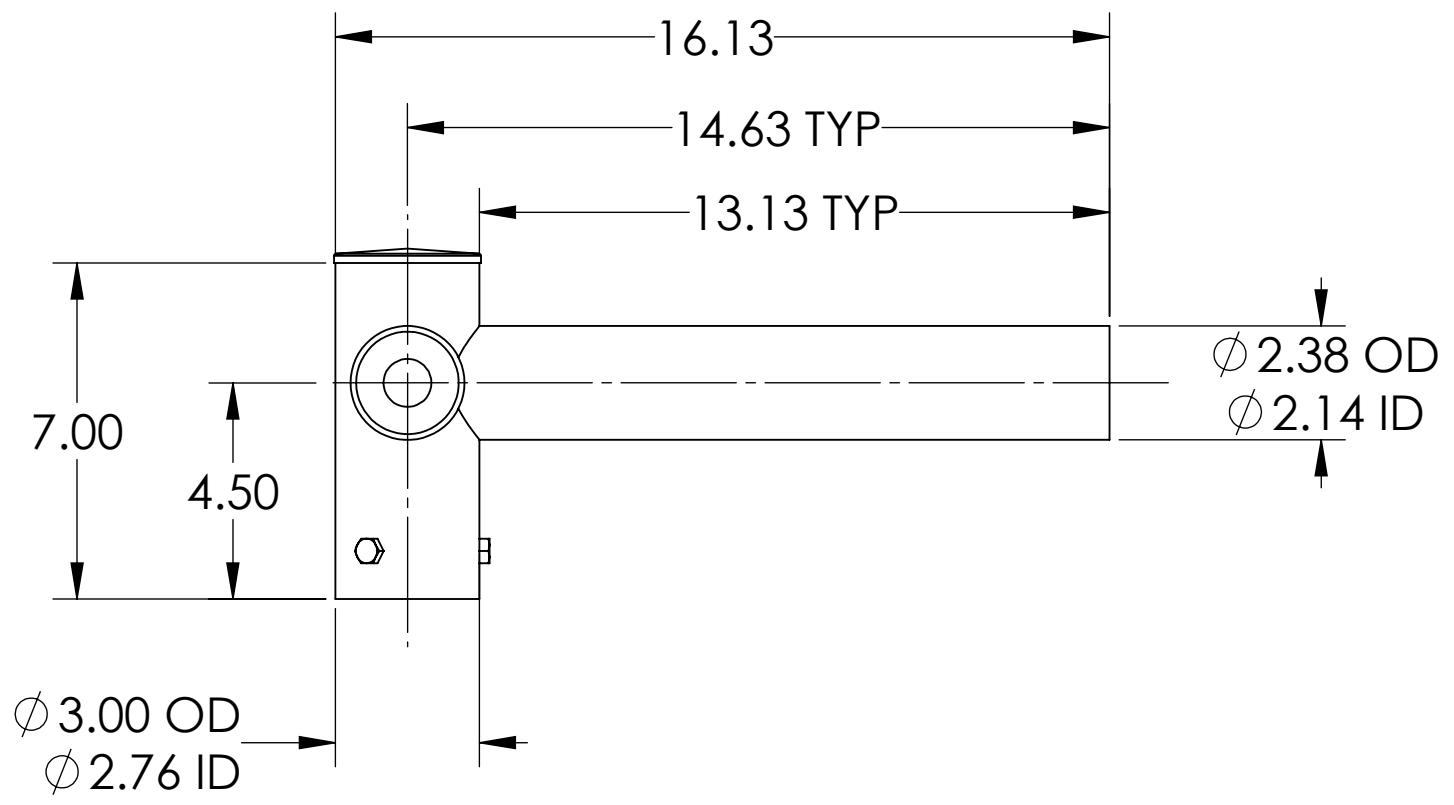


4

3


2

1



All dimensions and specifications are subject to change without any notice.

PROPRIETARY AND CONFIDENTIAL
 THE INFORMATION CONTAINED IN THIS DRAWING IS THE SOLE PROPERTY OF *Energy Light, Inc.* ANY REPRODUCTION IN PART OR AS A WHOLE WITHOUT THE WRITTEN PERMISSION OF *Energy Light, Inc.* IS PROHIBITED.

		UNLESS OTHERWISE SPECIFIED:		NAME	DATE	TITLE:	
		DIMENSIONS ARE IN INCHES		DRAWN	MKA	Spoke Bracket with 2 Arms at 90°	
		TOLERANCES:		ENG APPR.			
		FRACTIONAL: $\pm 1/64$		MFG APPR.			
		ANGULAR: $\pm 0.5^\circ$		Q.A.			
		TWO PLACE DECIMAL ± 0.01					
		THREE PLACE DECIMAL ± 0.005					
		INTERPRET GEOMETRIC TOLERANCING PER:		 Energy Light, Inc. 1881 Rose Road Lake Zurich, IL 60047			
		MATERIAL					
		STEEL					
NEXT ASSY	USED ON	FINISH		SIZE		ITEM NO.	REV
APPLICATION		DO NOT SCALE DRAWING		B		PTB290	
				SCALE: 1:4		WEIGHT: 9 lbs	SHEET 1 OF 1

4

3

2

1