

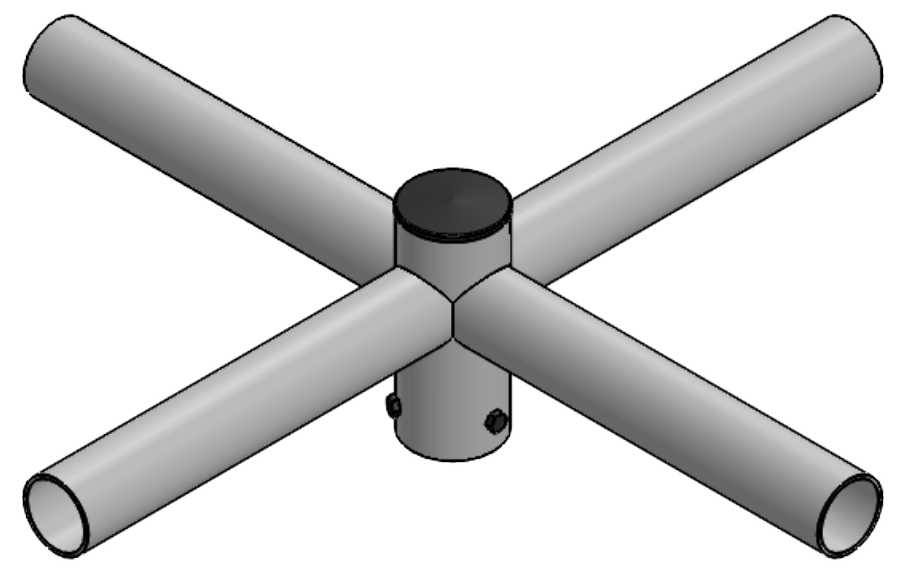
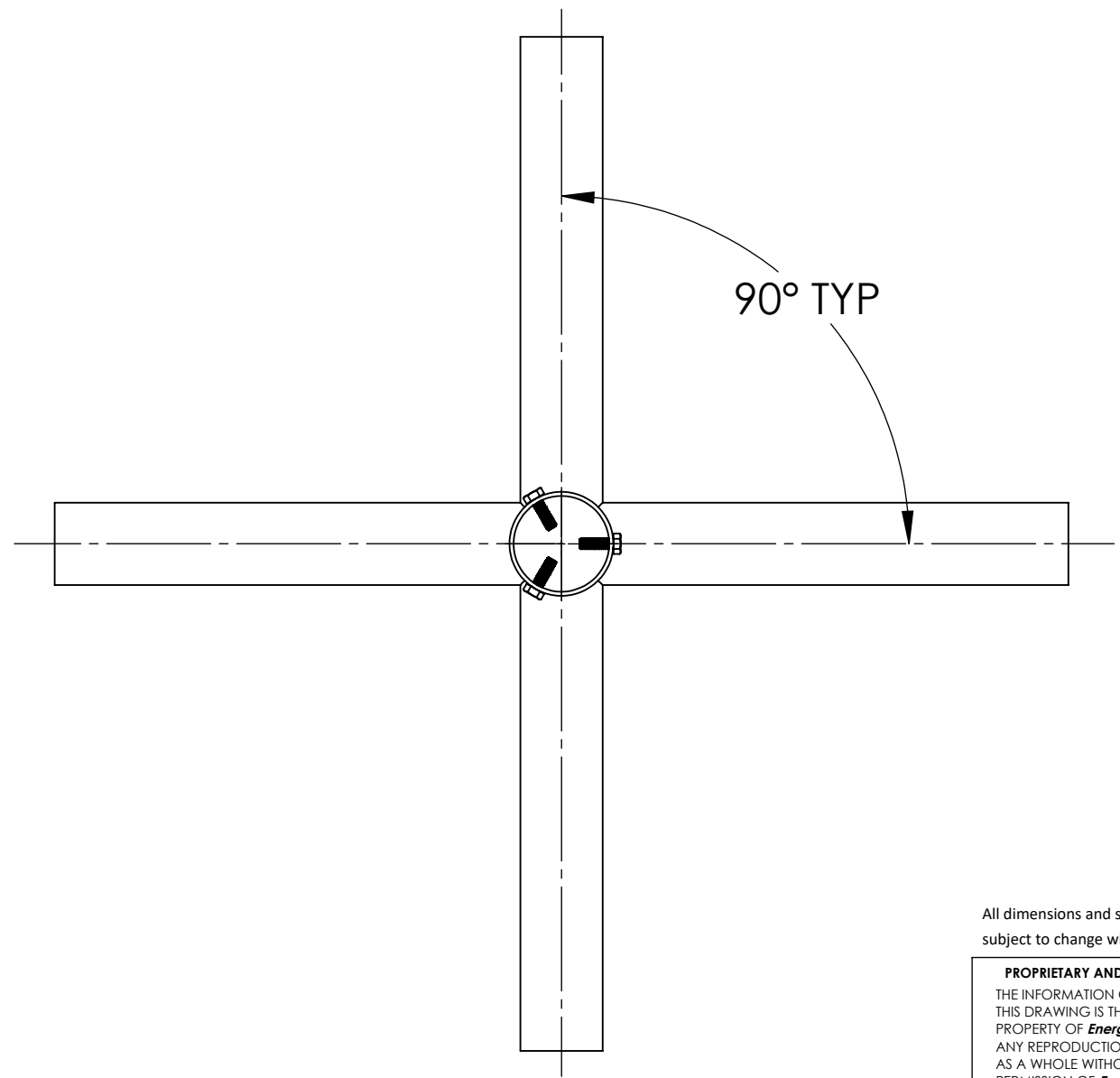
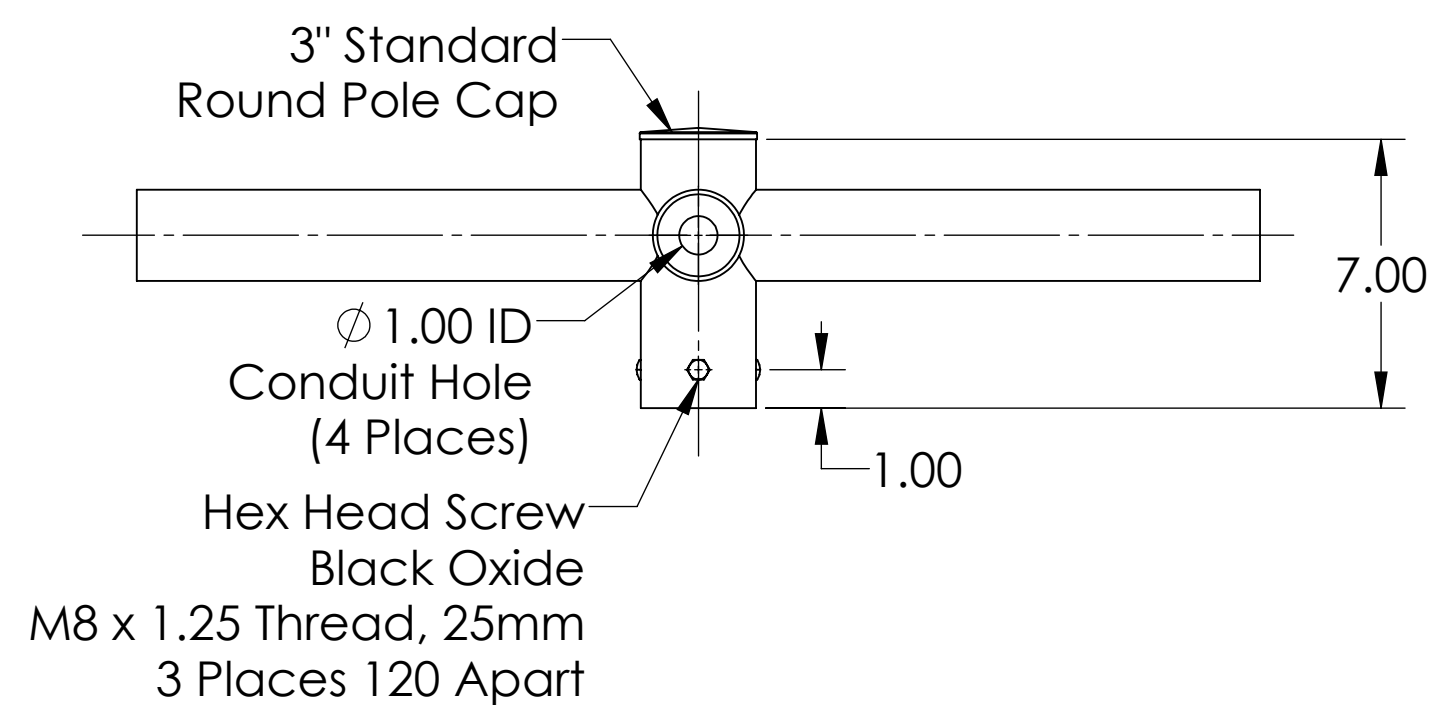
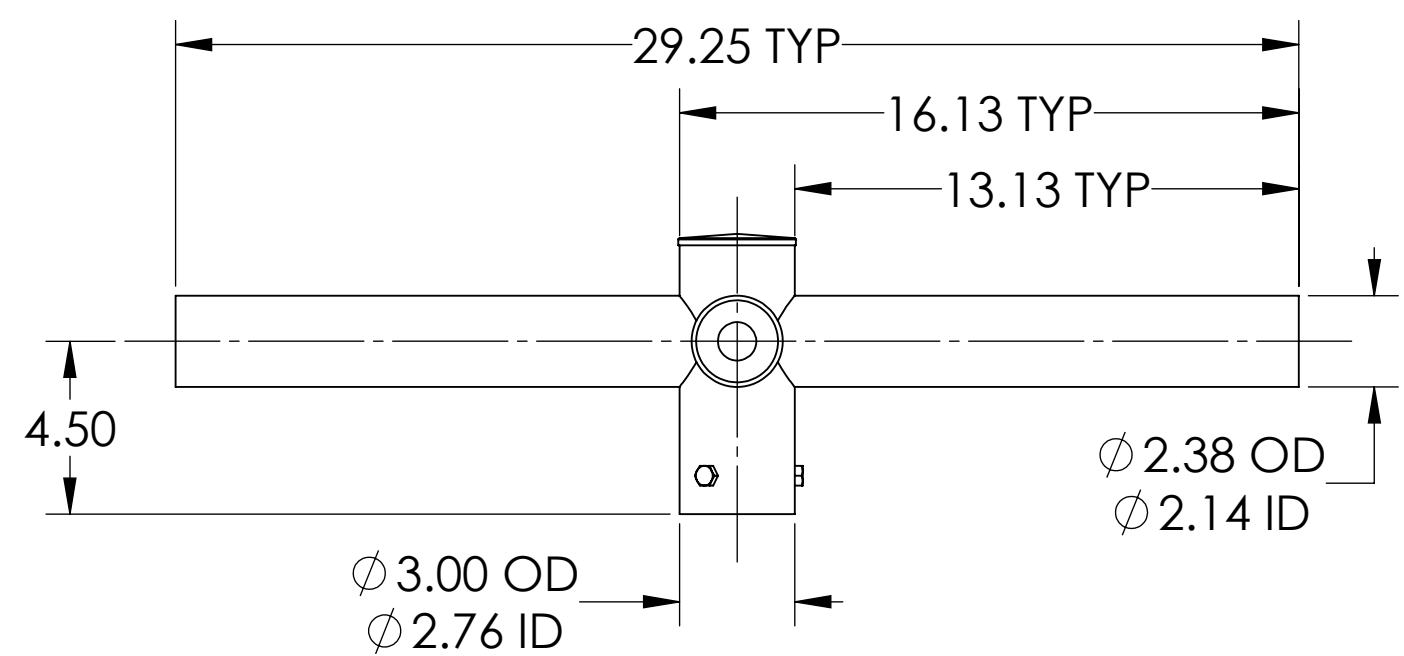
4 3 2 1

B

A

B

A



All dimensions and specifications are subject to change without any notice.

**PROPRIETARY AND CONFIDENTIAL**  
THE INFORMATION CONTAINED IN THIS DRAWING IS THE SOLE PROPERTY OF **Energy Light, Inc.** ANY REPRODUCTION IN PART OR AS A WHOLE WITHOUT THE WRITTEN PERMISSION OF **Energy Light, Inc.** IS PROHIBITED.

		UNLESS OTHERWISE SPECIFIED:		NAME	DATE	TITLE: <b>Spoke Bracket with 4 Arms at 90°</b>		
		DIMENSIONS ARE IN INCHES TOLERANCES: FRACTIONAL: ± 1/64 ANGULAR: ± 0.5° TWO PLACE DECIMAL ±0.01 THREE PLACE DECIMAL ±0.005		DRAWN	MKA			11-23-20
		INTERPRET GEOMETRIC TOLERANCING PER:		ENG APPR.				
		MATERIAL STEEL		MFG APPR.				
NEXT ASSY	USED ON	FINISH		 <b>Energy Light, Inc.</b> 1881 Rose Road Lake Zurich, IL 60047		SIZE <b>B</b>	ITEM NO. <b>PTB490</b>	REV
APPLICATION		DO NOT SCALE DRAWING				SCALE: 1:5	WEIGHT: 14.5 lbs	SHEET 1 OF 1

4

3

2

1