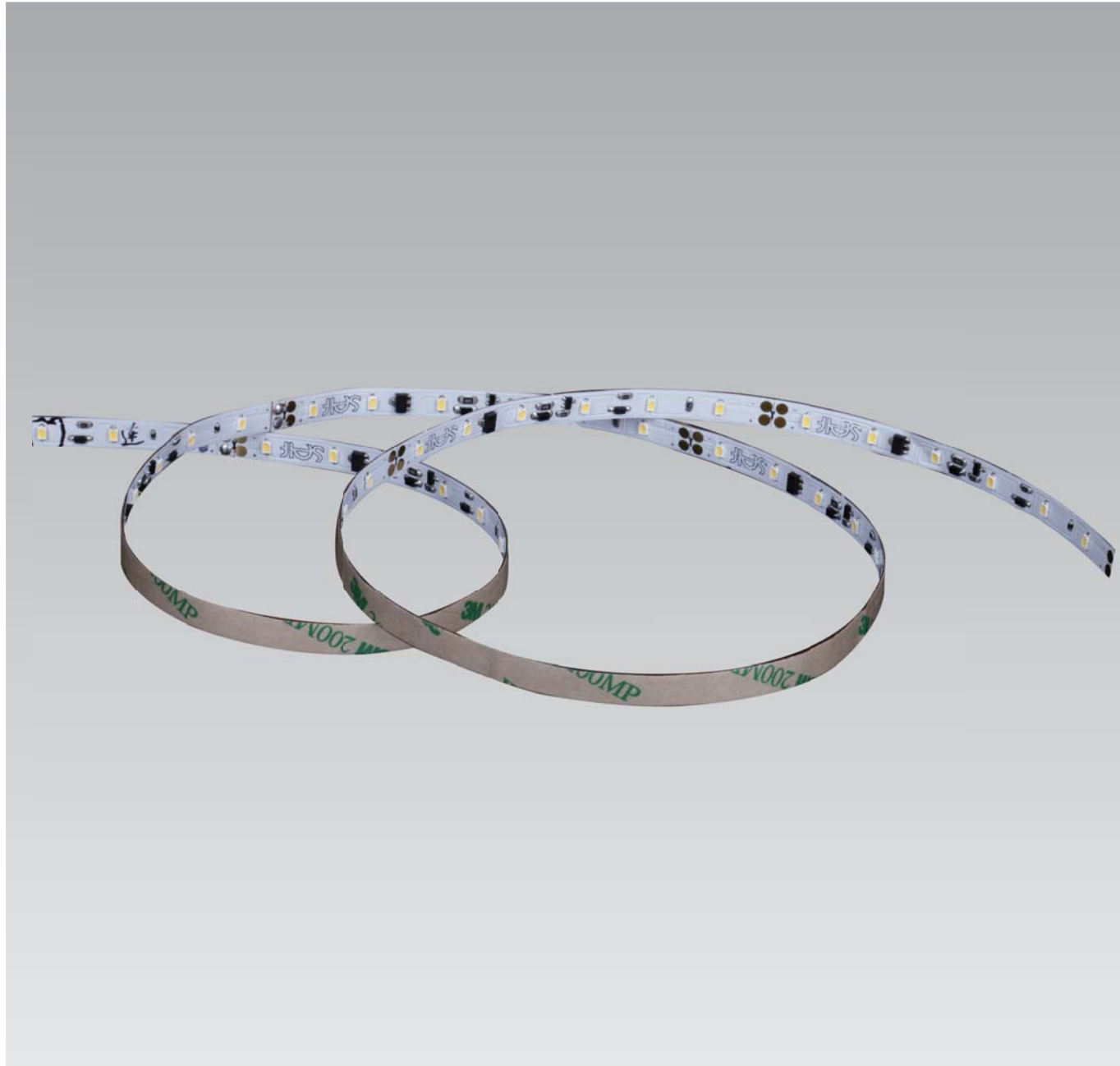


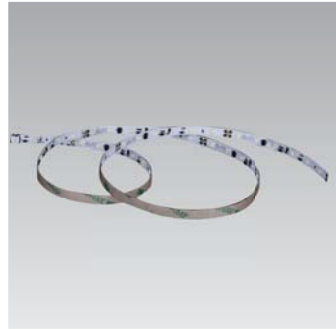
## Back Lighting RIBBON



## Back Lighting RIBBON



# Back Lighting RIBBON

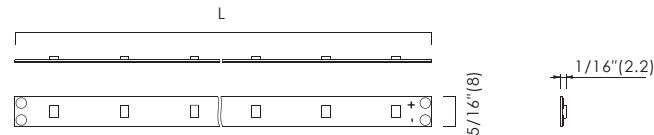


- Plug & play (External power supply)
- Customized design length
- Flexible and compact design
- Bright and constant illuminance for display area
- Linkable, max. linkable length: 16'
- Lifetime: 50,000hrs (ta=77°F, 25°C)
- Ta: -4°F~77°F (-20°C~25°C)
- 4W/ft, 356 lm/ft (@4000K)



Dimensions: (inches/mm)

Minimum Cuttable Length: 3-7/8" (98mm)



How to order using our catalog numbers:  
Example: RIBBON-19730K110WAT

Series	Length	Color Temp	Beam Angle	Finish	Installation
RIBBON	197 - 196.9" (5001.5mm)	30K - 3000K 40K - 4000K	110 - 110°	W - White	AT - Adhesive Tape

Catalog No.	Model	Description					Max. Pcs Per LED Power Supply 75W (NA159-7524LA-6V6)
		Rated Input	Ra	Wattage	Luminous Flux (TYP@4000K)	Included	
RIBBON-19730K110WAT	RIBBON-F306-24V	24VDC	85	65W	5850 lm	1pc LED fixture with double-sided adhesive tape	1pc
RIBBON-19740K110WAT							

How to choose your driver & cables:

Catalog No.	Description	Photo
IC-RB-59	Input cable 59" (must be between the light and splitter)	
EC-CV-59	Extension cable 59" (used as input cable or soft connector)	
NA159-7524LA-6V6	Model: SLT75-24VL-2A Matching driver, max. 75W. Input: 100-120VAC NA plug 1 + 59" cable. Output: 24VDC, JB-6-3 + 6" cable.	

\*Note: For alternative driver configurations, please contact our sales department.

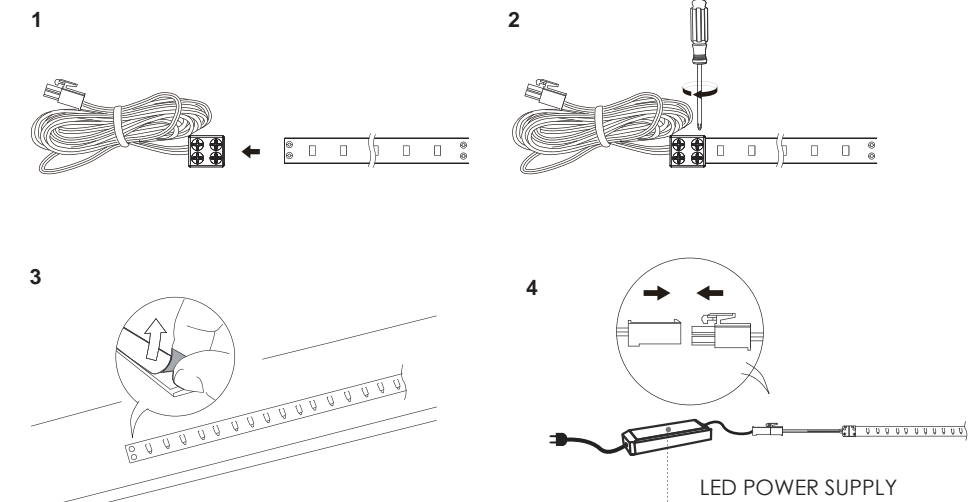
# Back Lighting RIBBON

Optional:

Catalog No.	Description	Photo
SC-RB-2	Soft connector 2"	
SC-RB-12	Soft connector 12"	
HC-RB	Hard connector	
MCN-RB-69	Mounting channel with cover 69"	

Installation

Install LED fixtures directly



Mounting channel installation

