

4

3

2

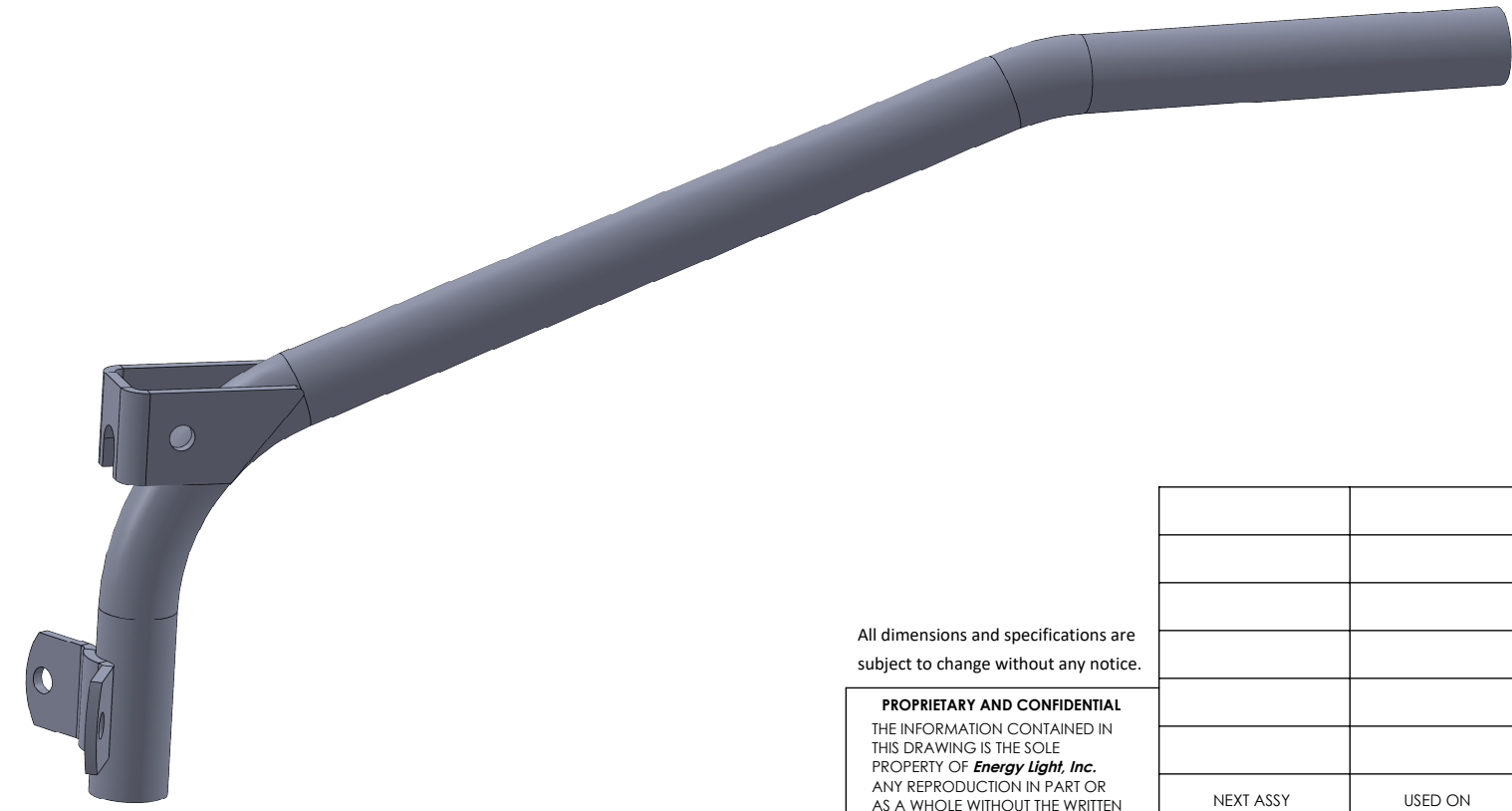
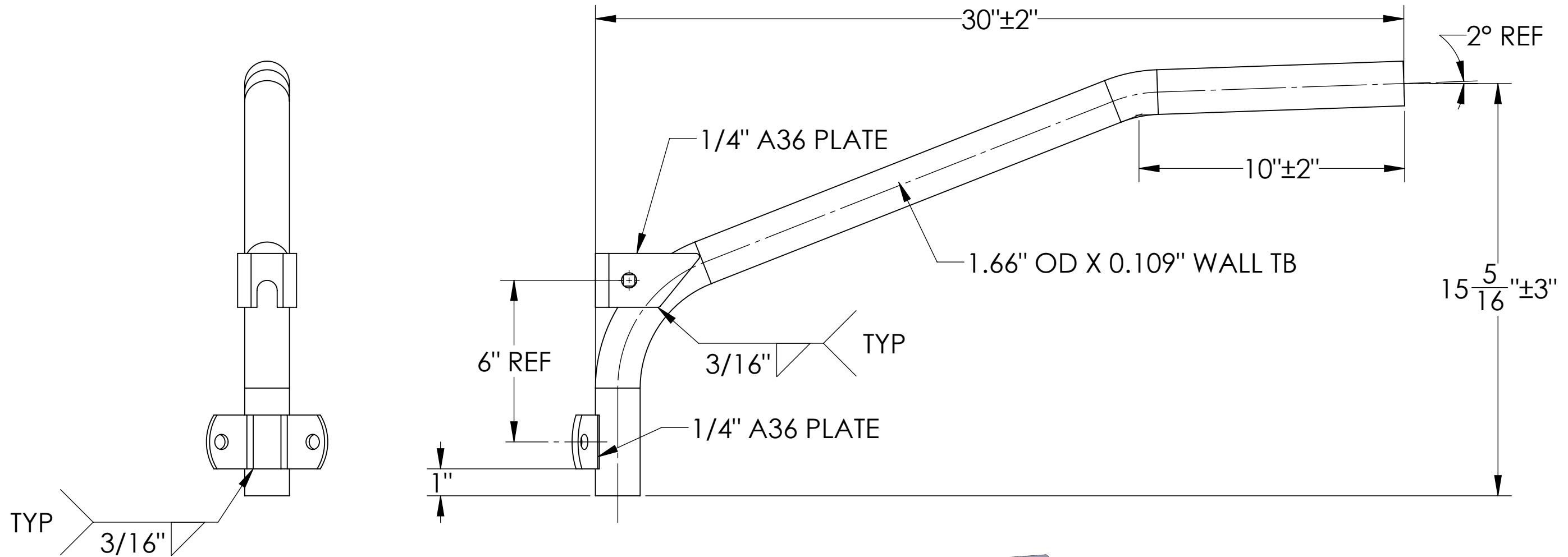
1

B

B


A

A



All dimensions and specifications are subject to change without any notice.

PROPRIETARY AND CONFIDENTIAL
 THE INFORMATION CONTAINED IN THIS DRAWING IS THE SOLE PROPERTY OF *Energy Light, Inc.* ANY REPRODUCTION IN PART OR AS A WHOLE WITHOUT THE WRITTEN PERMISSION OF *Energy Light, Inc.* IS PROHIBITED.

		UNLESS OTHERWISE SPECIFIED:		NAME	DATE	TITLE: 2.6 Foot Cantilever Style Wood Pole Bracket, 1-1/4 Inch Diameter Steel Pipe			
		DIMENSIONS ARE IN INCHES		DRAWN	MKA			07-19-22	
		TOLERANCES:		ENG APPR.					
		FRACTIONAL ± 1/64		MFG APPR.					
		ANGULAR: ± 0.5°		Q.A.			SIZE	ITEM NO.	REV
		TWO PLACE DECIMAL ±0.01		 Energy Light, Inc. 1881 Rose Road Lake Zurich, IL 60047			B	WPB1021	
		THREE PLACE DECIMAL ±0.005					SCALE: 1:4	WEIGHT: 7 lbs	SHEET 1
		INTERPRET GEOMETRIC TOLERANCING PER:							
		MATERIAL							
		STEEL							
		FINISH							
		GALVANIZED							
NEXT ASSY	USED ON	APPLICATION		DO NOT SCALE DRAWING					

4

3

2

1