

4

3

2

1

42 <sup>5</sup>/<sub>16</sub> "±2"

9 <sup>7</sup>/<sub>8</sub> "±2"

2° REF

16 <sup>3</sup>/<sub>4</sub> "±3"

1/4" A36 PLATE

1.66" OD X 0.109" WALL TB

3/16" TYP

1/4" A36 PLATE

6" REF

1"

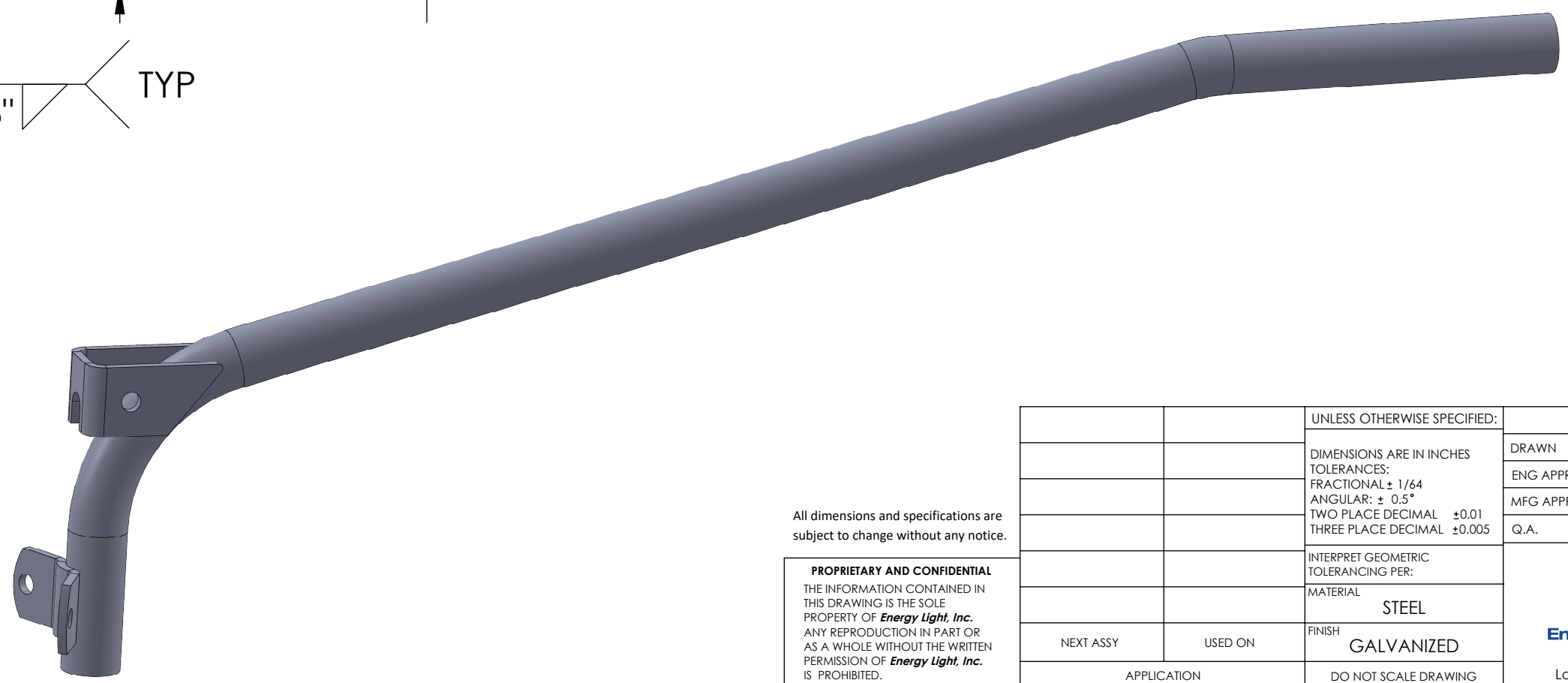
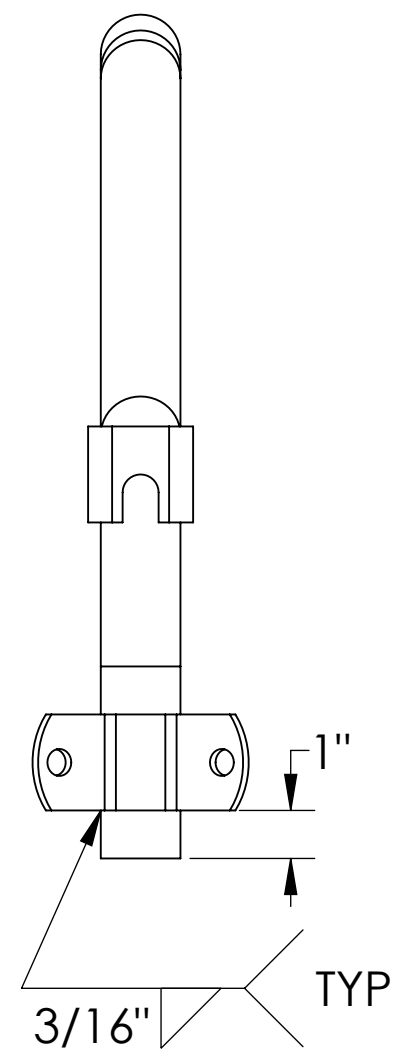
3/16" TYP

B

B


A

A



All dimensions and specifications are subject to change without any notice.

**PROPRIETARY AND CONFIDENTIAL**  
 THE INFORMATION CONTAINED IN THIS DRAWING IS THE SOLE PROPERTY OF *Energy Light, Inc.* ANY REPRODUCTION IN PART OR AS A WHOLE WITHOUT THE WRITTEN PERMISSION OF *Energy Light, Inc.* IS PROHIBITED.

		UNLESS OTHERWISE SPECIFIED:		NAME	DATE	TITLE: <b>4 Foot Cantilever Style Wood Pole Bracket, 1-1/4 Inch Diameter Steel Pipe</b>		
		DIMENSIONS ARE IN INCHES TOLERANCES: FRACTIONAL ± 1/64 ANGULAR: ± 0.5° TWO PLACE DECIMAL ±0.01 THREE PLACE DECIMAL ±0.005		DRAWN	MKA			07-19-22
		INTERPRET GEOMETRIC TOLERANCING PER:		ENG APPR.				
		MATERIAL		MFG APPR.				
NEXT ASSY	USED ON	STEEL		 <b>Energy Light, Inc.</b> 1881 Rose Road Lake Zurich, IL 60047		SIZE	ITEM NO.	REV
APPLICATION		FINISH GALVANIZED				<b>B</b>	WPB1022	
		DO NOT SCALE DRAWING				SCALE: 1:4	WEIGHT: 9 lbs	SHEET 1

4

3

2

1