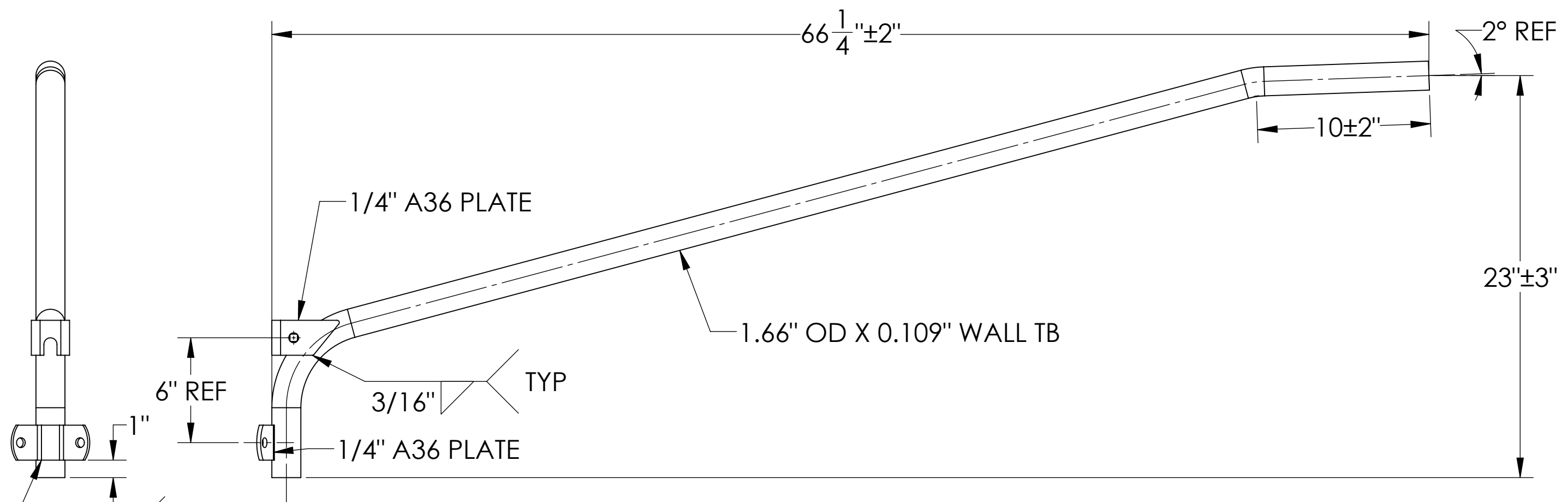


4

3

2

1

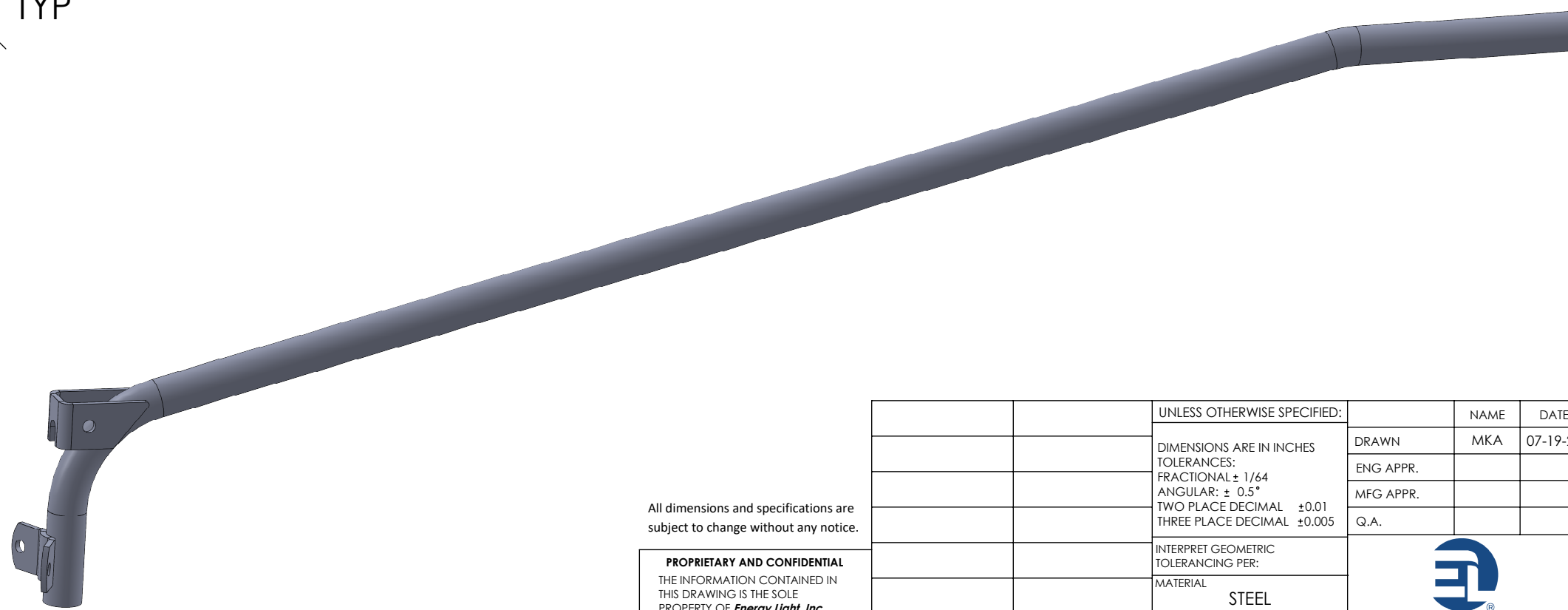


B

B


A

A



All dimensions and specifications are subject to change without any notice.

**PROPRIETARY AND CONFIDENTIAL**  
 THE INFORMATION CONTAINED IN THIS DRAWING IS THE SOLE PROPERTY OF *Energy Light, Inc.* ANY REPRODUCTION IN PART OR AS A WHOLE WITHOUT THE WRITTEN PERMISSION OF *Energy Light, Inc.* IS PROHIBITED.

		UNLESS OTHERWISE SPECIFIED:		NAME	DATE	TITLE: <b>6 Foot Cantilever Style Wood Pole Bracket, 1-1/4 Inch Diameter Steel Pipe</b>		
		DIMENSIONS ARE IN INCHES TOLERANCES: FRACTIONAL ± 1/64 ANGULAR: ± 0.5° TWO PLACE DECIMAL ±0.01 THREE PLACE DECIMAL ±0.005		DRAWN	MKA			07-19-22
		INTERPRET GEOMETRIC TOLERANCING PER:		ENG APPR.				
		MATERIAL		MFG APPR.				
NEXT ASSY	USED ON	STEEL		Q.A.			SIZE <b>B</b>	
APPLICATION		FINISH GALVANIZED		 <b>Energy Light, Inc.</b> 1881 Rose Road Lake Zurich, IL 60047		ITEM NO. <b>WPB1023</b>		
		DO NOT SCALE DRAWING				SCALE: 1:6		WEIGHT: 12 lbs
						SHEET 1		

4

3

2

1