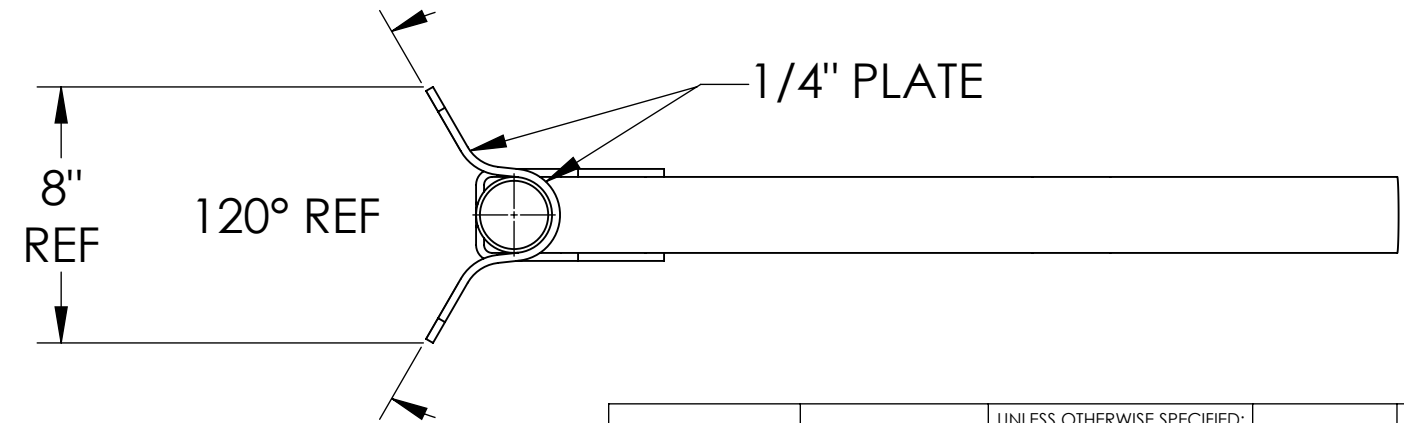
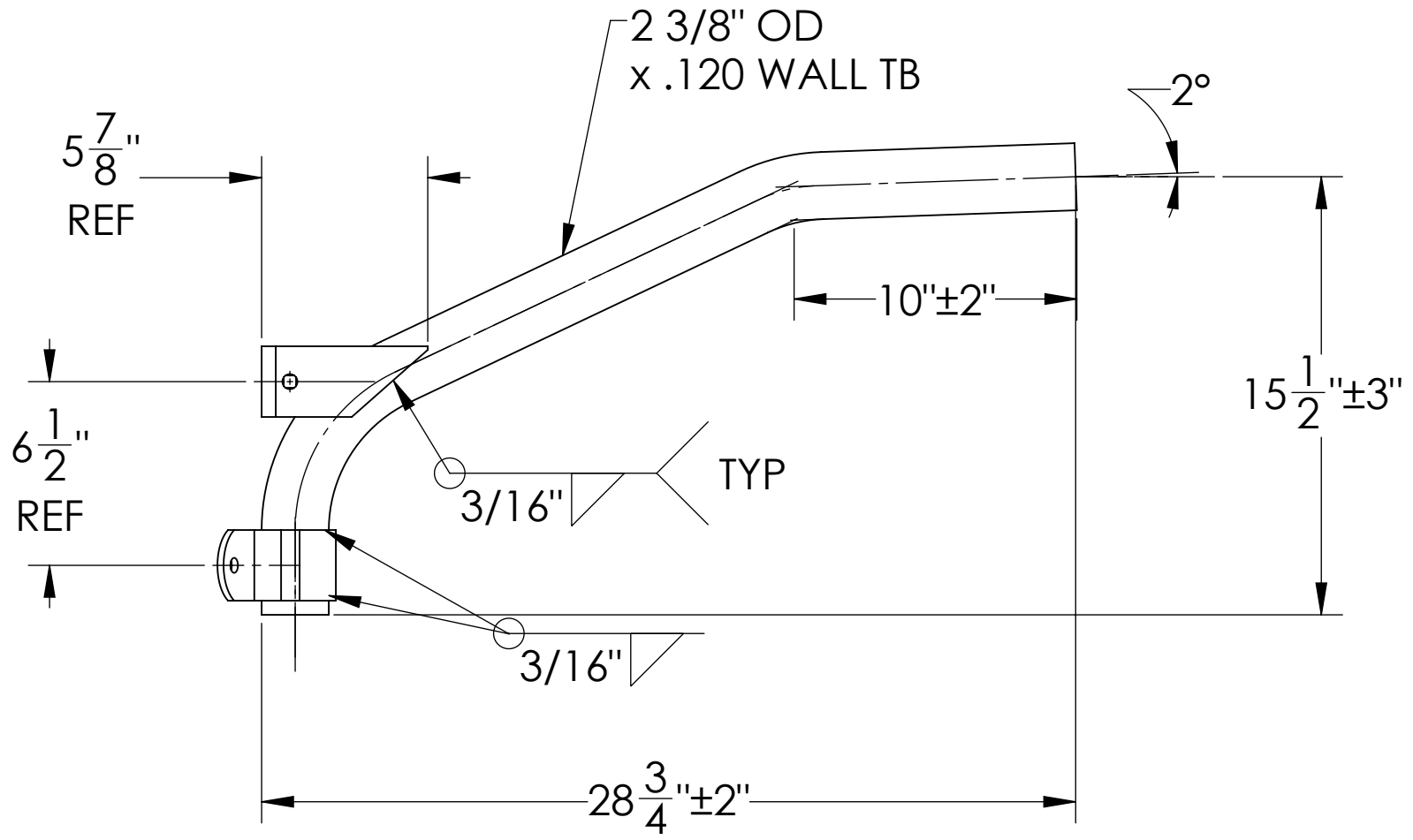
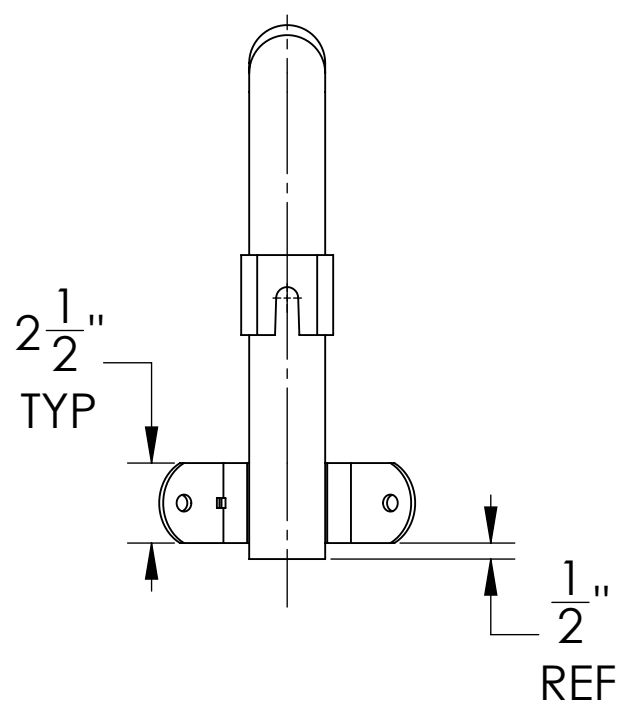


4

3

2


1



Note:
Isometric view see Sheet #2

All dimensions and specifications are subject to change without any notice.

PROPRIETARY AND CONFIDENTIAL
THE INFORMATION CONTAINED IN THIS DRAWING IS THE SOLE PROPERTY OF *Energy Light, Inc.* ANY REPRODUCTION IN PART OR AS A WHOLE WITHOUT THE WRITTEN PERMISSION OF *Energy Light, Inc.* IS PROHIBITED.

		UNLESS OTHERWISE SPECIFIED:		NAME	DATE	TITLE: 2.5 Foot Cantilever Style Wood Pole Bracket, 2 inch Diameter Steel Pipe			
		DIMENSIONS ARE IN INCHES		DRAWN	MKA			06-06-22	
		TOLERANCES:		ENG APPR.					
		FRACTIONAL: ± 1/64		MFG APPR.					
		ANGULAR: ± 0.5°		Q.A.			SIZE	ITEM NO.	REV
		TWO PLACE DECIMAL ±0.01		 1881 Rose Road Lake Zurich, IL 60047			B	WPB1026	
		THREE PLACE DECIMAL ±0.005					SCALE: 1:6	WEIGHT: 13 lbs	SHEET 1 OF 2
		INTERPRET GEOMETRIC TOLERANCING PER:							
		MATERIAL							
		FINISH							
NEXT ASSY	USED ON	APPLICATION		DO NOT SCALE DRAWING					

4

3

2

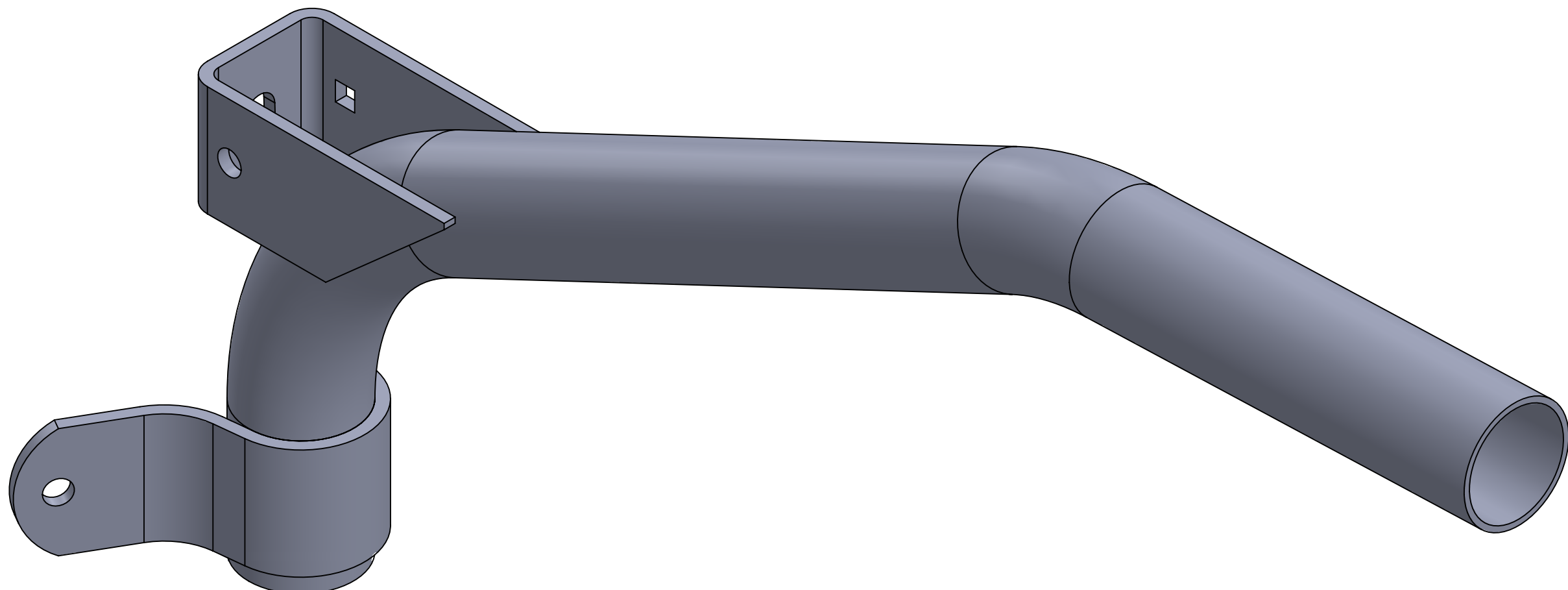
1

B

B

A


A



Isometric View

All dimensions and specifications are subject to change without any notice.

PROPRIETARY AND CONFIDENTIAL
 THE INFORMATION CONTAINED IN THIS DRAWING IS THE SOLE PROPERTY OF *Energy Light, Inc.* ANY REPRODUCTION IN PART OR AS A WHOLE WITHOUT THE WRITTEN PERMISSION OF *Energy Light, Inc.* IS PROHIBITED.

		UNLESS OTHERWISE SPECIFIED:		NAME	DATE	TITLE: 2.5 Foot Cantilever Style Wood Pole Bracket, 2 inch Diameter Steel Pipe			
		DIMENSIONS ARE IN INCHES TOLERANCES: FRACTIONAL ± 1/64 ANGULAR: ± 0.5° TWO PLACE DECIMAL ±0.01 THREE PLACE DECIMAL ±0.005		DRAWN	MKA			06-06-22	
		INTERPRET GEOMETRIC TOLERANCING PER:		ENG APPR.					
		MATERIAL		MFG APPR.					
		Steel		Q.A.			SIZE	ITEM NO.	REV
NEXT ASSY	USED ON	FINISH		 Energy Light, Inc. 1881 Rose Road Lake Zurich, IL 60047			B	WPB1026	
APPLICATION		Galvanized					SCALE: 1:8	WEIGHT: 13 lbs	SHEET 2 OF 2
		DO NOT SCALE DRAWING							

4

3

2

1

B

B

A

A

4

3

2

1