

4

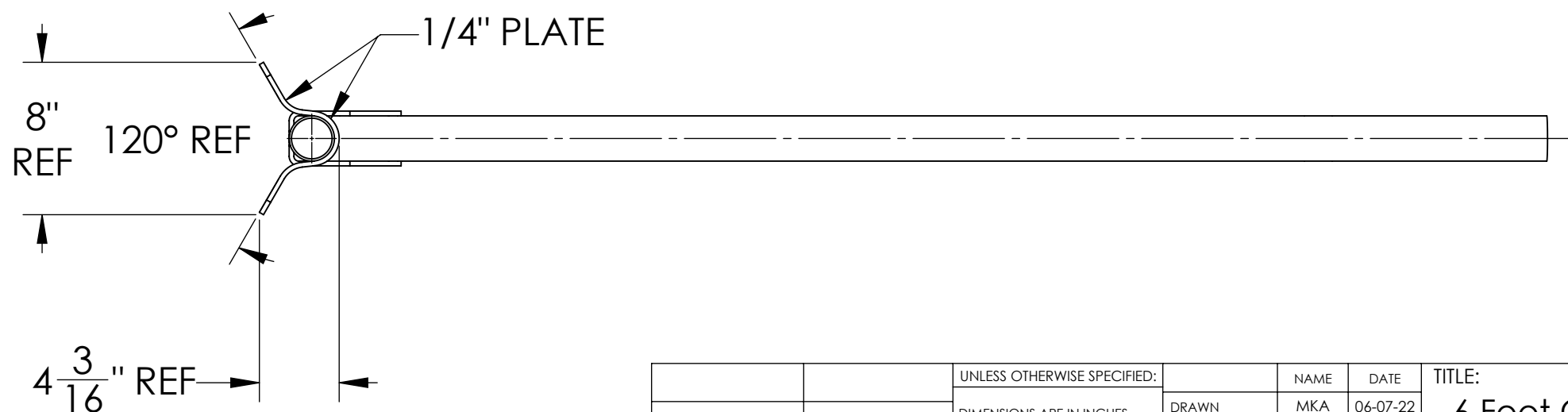
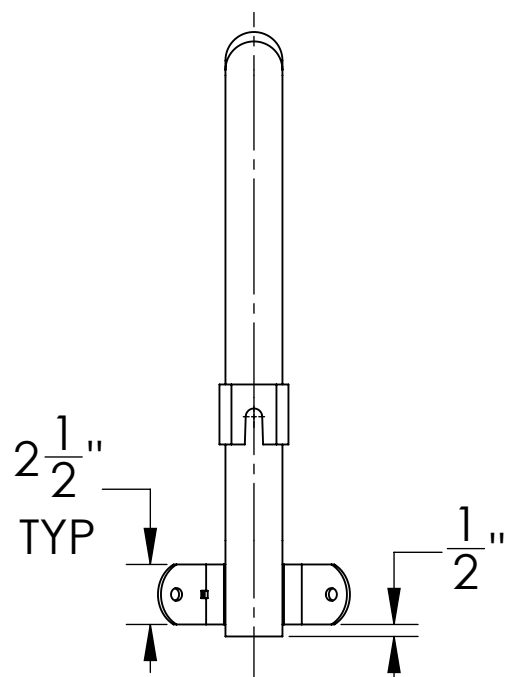
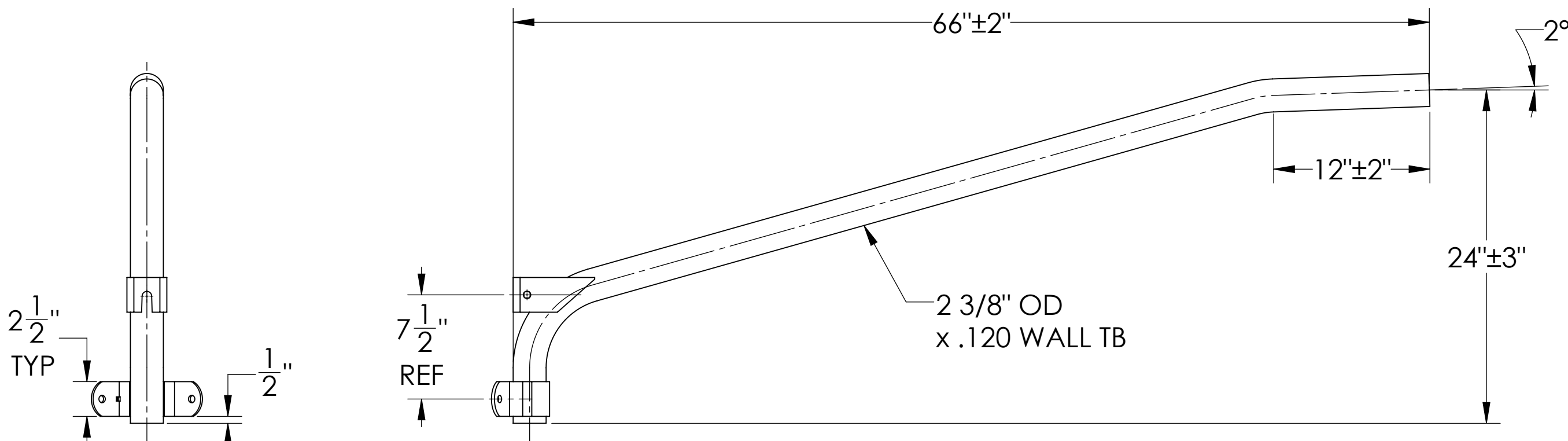
3

2

1

B


B



Note:
Isometric view see Sheet #2

All dimensions and specifications are subject to change without any notice.

PROPRIETARY AND CONFIDENTIAL
THE INFORMATION CONTAINED IN THIS DRAWING IS THE SOLE PROPERTY OF *Energy Light, Inc.* ANY REPRODUCTION IN PART OR AS A WHOLE WITHOUT THE WRITTEN PERMISSION OF *Energy Light, Inc.* IS PROHIBITED.

		UNLESS OTHERWISE SPECIFIED:	NAME	DATE	TITLE:	
		DIMENSIONS ARE IN INCHES	DRAWN	MKA	06-07-22	6 Foot Cantilever Style Wood Pole Bracket, 2 inch Diameter Steel Pipe
		TOLERANCES:	ENG APPR.			
		FRACTIONAL ± 1/64	MFG APPR.			
		ANGULAR: ± 0.5°	Q.A.			SIZE
		TWO PLACE DECIMAL ±0.01	 1881 Rose Road Lake Zurich, IL 60047			ITEM NO.
		THREE PLACE DECIMAL ±0.005				SCALE: 1:8
INTERPRET GEOMETRIC TOLERANCING PER:	MATERIAL	FINISH	REV			
	Steel	Galvanized	B			
NEXT ASSY	USED ON	APPLICATION	WPB1028			
		DO NOT SCALE DRAWING				

4

3

2

1

A

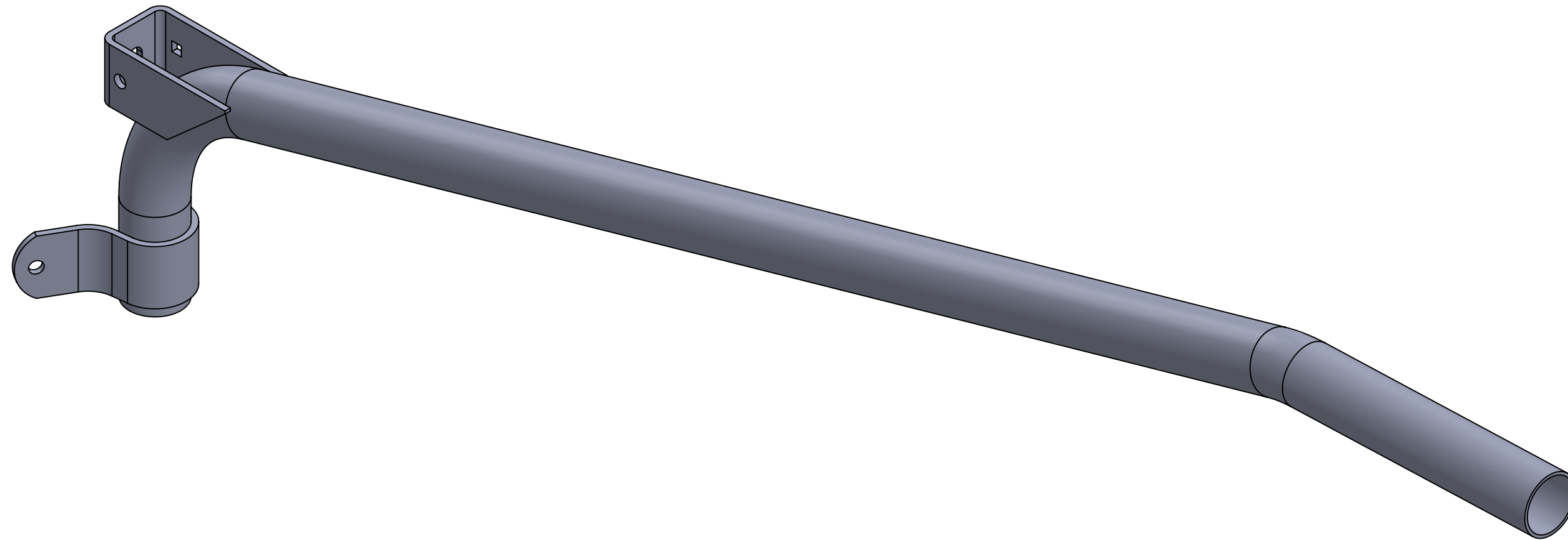
A

4

3

2


1



Isometric View

All dimensions and specifications are subject to change without any notice.

PROPRIETARY AND CONFIDENTIAL
THE INFORMATION CONTAINED IN THIS DRAWING IS THE SOLE PROPERTY OF *Energy Light, Inc.* ANY REPRODUCTION IN PART OR AS A WHOLE WITHOUT THE WRITTEN PERMISSION OF *Energy Light, Inc.* IS PROHIBITED.

		UNLESS OTHERWISE SPECIFIED:		NAME	DATE	TITLE: 6 Foot Cantilever Style Wood Pole Bracket, 2 inch Diameter Steel Pipe		
		DIMENSIONS ARE IN INCHES TOLERANCES: FRACTIONAL $\pm 1/64$ ANGULAR: $\pm 0.5^\circ$ TWO PLACE DECIMAL ± 0.01 THREE PLACE DECIMAL ± 0.005		DRAWN	MKA			06-07-22
		INTERPRET GEOMETRIC TOLERANCING PER:		ENG APPR.				
		MATERIAL Steel		MFG APPR.				
NEXT ASSY	USED ON	FINISH Galvanized		 Energy Light, Inc. 1881 Rose Road Lake Zurich, IL 60047		SIZE B	ITEM NO. WPB1028	REV
APPLICATION		DO NOT SCALE DRAWING				SCALE: 1:4	WEIGHT: 23 lbs	SHEET 2 OF 2

4

3

2

1

B

B

A

A