

4

3

2

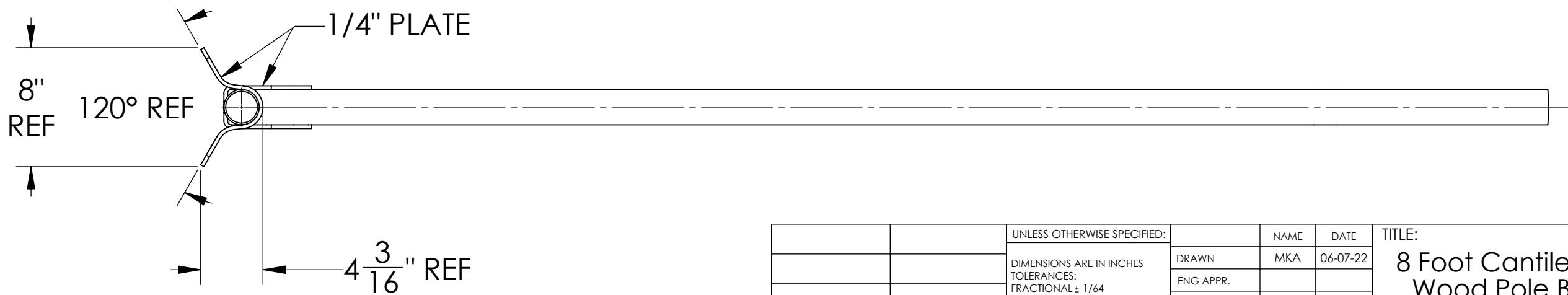
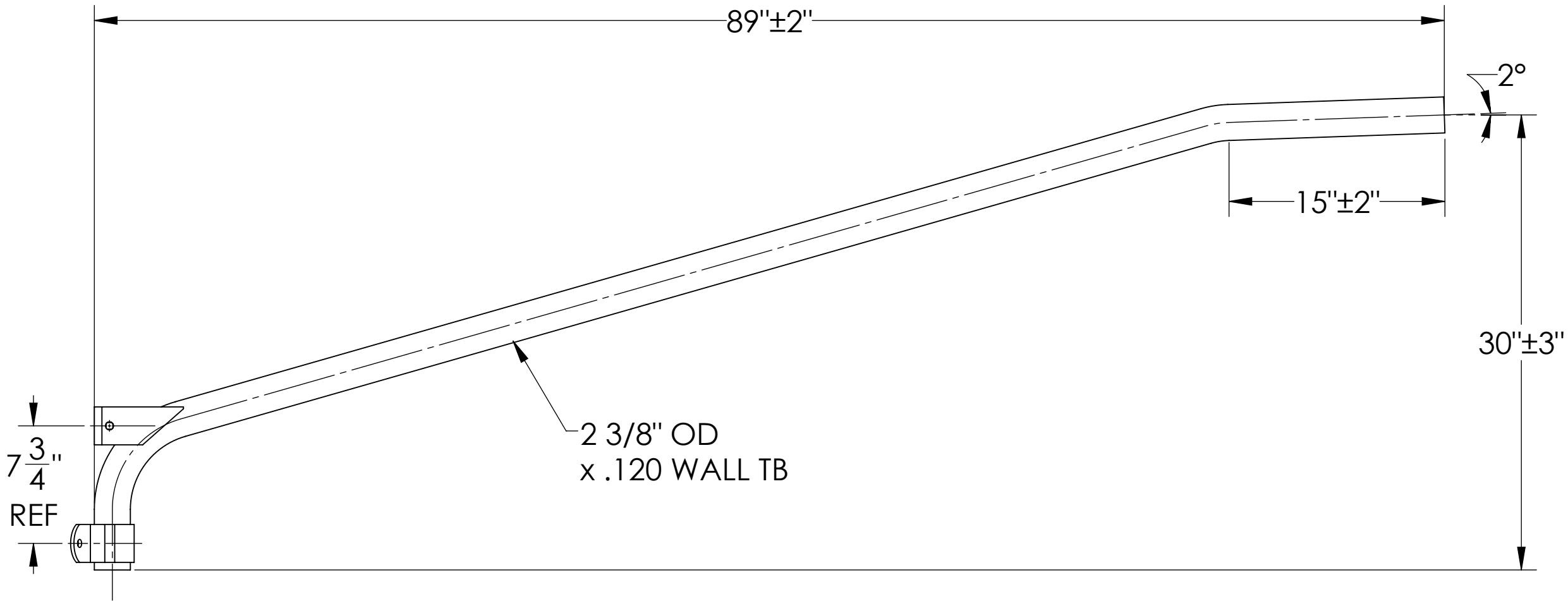
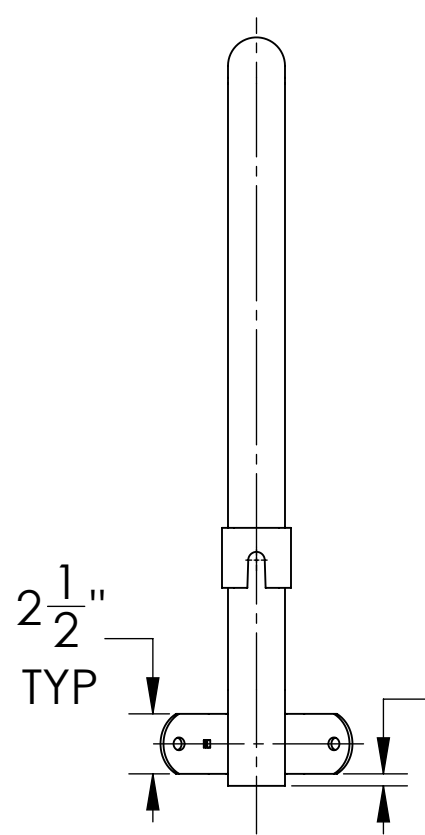
1

B

B

A


A



Note:
Isometric view see Sheet #2

All dimensions and specifications are subject to change without any notice.

PROPRIETARY AND CONFIDENTIAL
THE INFORMATION CONTAINED IN THIS DRAWING IS THE SOLE PROPERTY OF *Energy Light, Inc.* ANY REPRODUCTION IN PART OR AS A WHOLE WITHOUT THE WRITTEN PERMISSION OF *Energy Light, Inc.* IS PROHIBITED.

		UNLESS OTHERWISE SPECIFIED:		NAME	DATE	TITLE: 8 Foot Cantilever Style Wood Pole Bracket, 2 inch Diameter Steel Pipe			
		DIMENSIONS ARE IN INCHES		DRAWN	MKA			06-07-22	
		TOLERANCES:		ENG APPR.					
		FRACTIONAL ± 1/64		MFG APPR.					
		ANGULAR: ± 0.5°		Q.A.			SIZE	ITEM NO.	REV
		TWO PLACE DECIMAL ±0.01		 1881 Rose Road Lake Zurich, IL 60047			B	WPB1029	
		THREE PLACE DECIMAL ±0.005					SCALE: 1:8	WEIGHT: 29 lbs	SHEET 1 OF 2
		INTERPRET GEOMETRIC TOLERANCING PER:							
		MATERIAL							
		Steel							
		FINISH							
		Galvanized							
NEXT ASSY	USED ON	APPLICATION		DO NOT SCALE DRAWING					

4

3

2

1

4

3

2

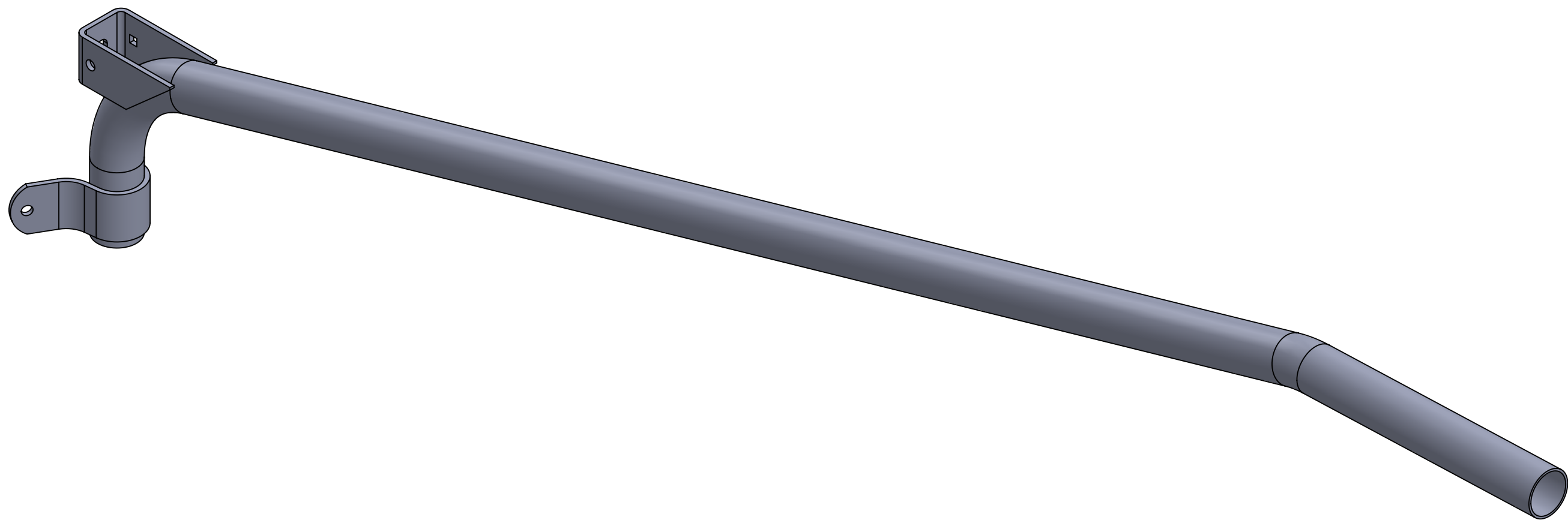
1

B

B

A


A



Isometric View

All dimensions and specifications are subject to change without any notice.

PROPRIETARY AND CONFIDENTIAL
 THE INFORMATION CONTAINED IN THIS DRAWING IS THE SOLE PROPERTY OF *Energy Light, Inc.* ANY REPRODUCTION IN PART OR AS A WHOLE WITHOUT THE WRITTEN PERMISSION OF *Energy Light, Inc.* IS PROHIBITED.

		UNLESS OTHERWISE SPECIFIED:		NAME	DATE	TITLE: 8 Foot Cantilever Style Wood Pole Bracket, 2 inch Diameter Steel Pipe			
		DIMENSIONS ARE IN INCHES		DRAWN	MKA			06-07-22	
		TOLERANCES:		ENG APPR.					
		FRACTIONAL ± 1/64		MFG APPR.					
		ANGULAR: ± 0.5°		Q.A.					
		TWO PLACE DECIMAL ±0.01		 1881 Rose Road Lake Zurich, IL 60047			SIZE	ITEM NO.	REV
		THREE PLACE DECIMAL ±0.005					B	WPB1029	
		INTERPRET GEOMETRIC TOLERANCING PER:					SCALE: 1:8 WEIGHT: 29 lbs SHEET 2 OF 2		
		MATERIAL							
		Steel							
		FINISH							
		Galvanized							
NEXT ASSY	USED ON	APPLICATION		DO NOT SCALE DRAWING					

4

3

2

1