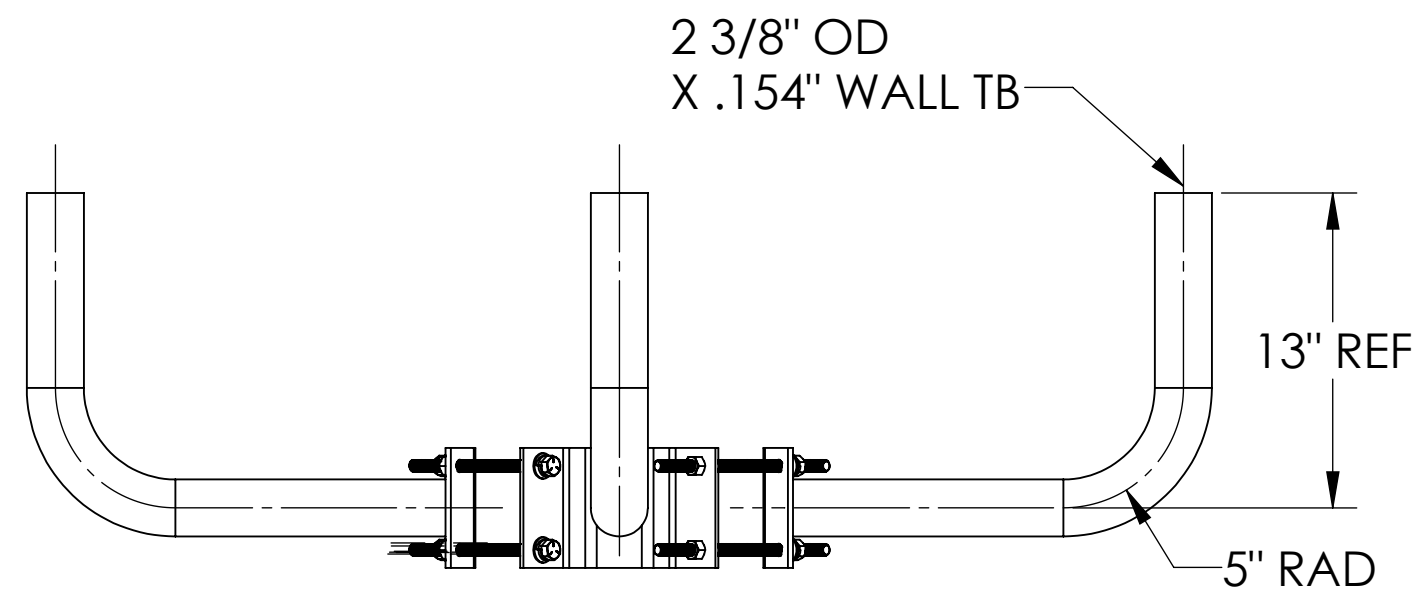
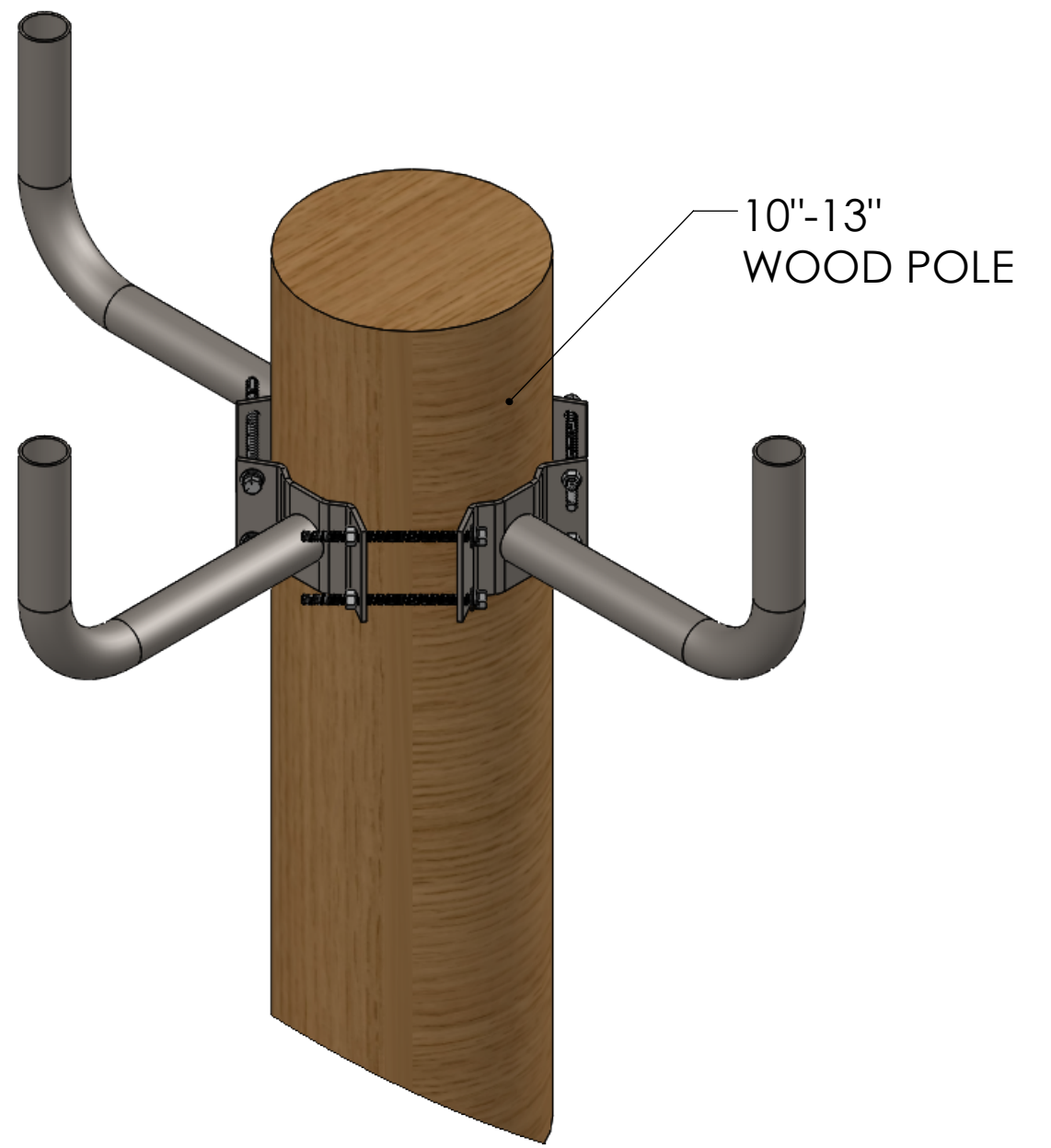
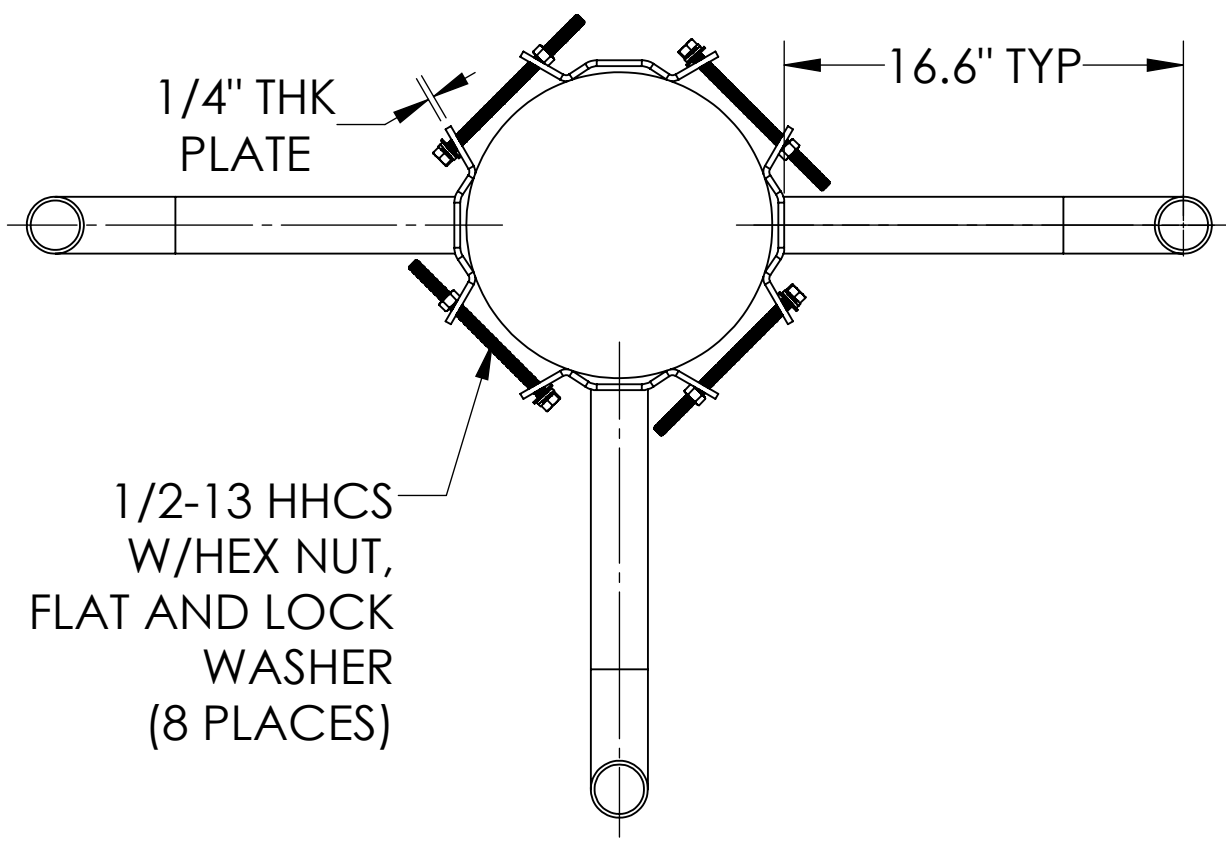


4

3


2

1



All dimensions and specifications are subject to change without any notice.

PROPRIETARY AND CONFIDENTIAL
 THE INFORMATION CONTAINED IN THIS DRAWING IS THE SOLE PROPERTY OF *Energy Light, Inc.* ANY REPRODUCTION IN PART OR AS A WHOLE WITHOUT THE WRITTEN PERMISSION OF *Energy Light, Inc.* IS PROHIBITED.

		UNLESS OTHERWISE SPECIFIED:		NAME	DATE	TITLE: 1 Arm Wrap Around Bracket for Wood Poles with 10-13 Inch Diameter, Arms at 90 Degrees			
		DIMENSIONS ARE IN INCHES		DRAWN	MKA			07-09-21	
		TOLERANCES:		ENG APPR.					
		FRACTIONAL: $\pm 1/64$		MFG APPR.					
		ANGULAR: $\pm 0.5^\circ$		Q.A.			SIZE	ITEM NO.	REV
		TWO PLACE DECIMAL ± 0.01		 Energy Light, Inc. 1881 Rose Road Lake Zurich, IL 60047			B	WPB1147	
		THREE PLACE DECIMAL ± 0.005					SCALE: 1:8	WEIGHT: 39 lbs	SHEET 1 OF 1
		INTERPRET GEOMETRIC TOLERANCING PER:							
		MATERIAL							
		FINISH							
NEXT ASSY	USED ON	APPLICATION		DO NOT SCALE DRAWING					

4

3

2

1

B

B

A

A