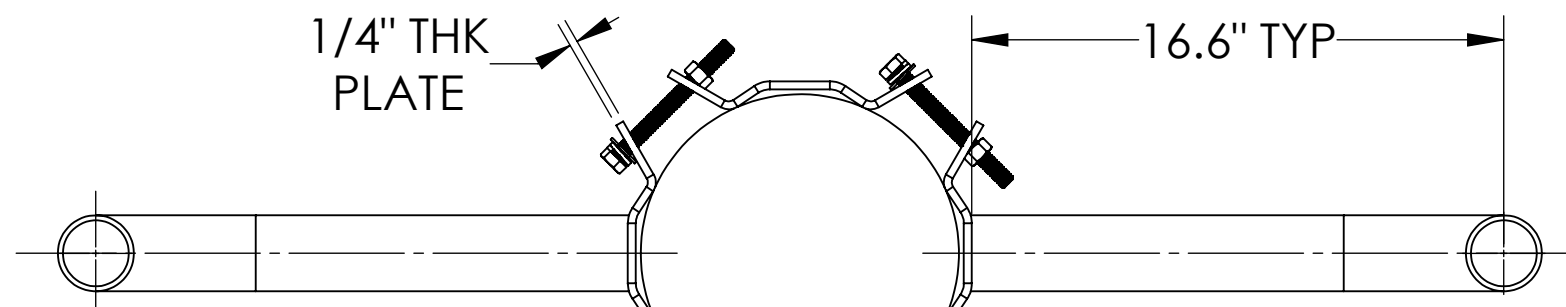


4

3

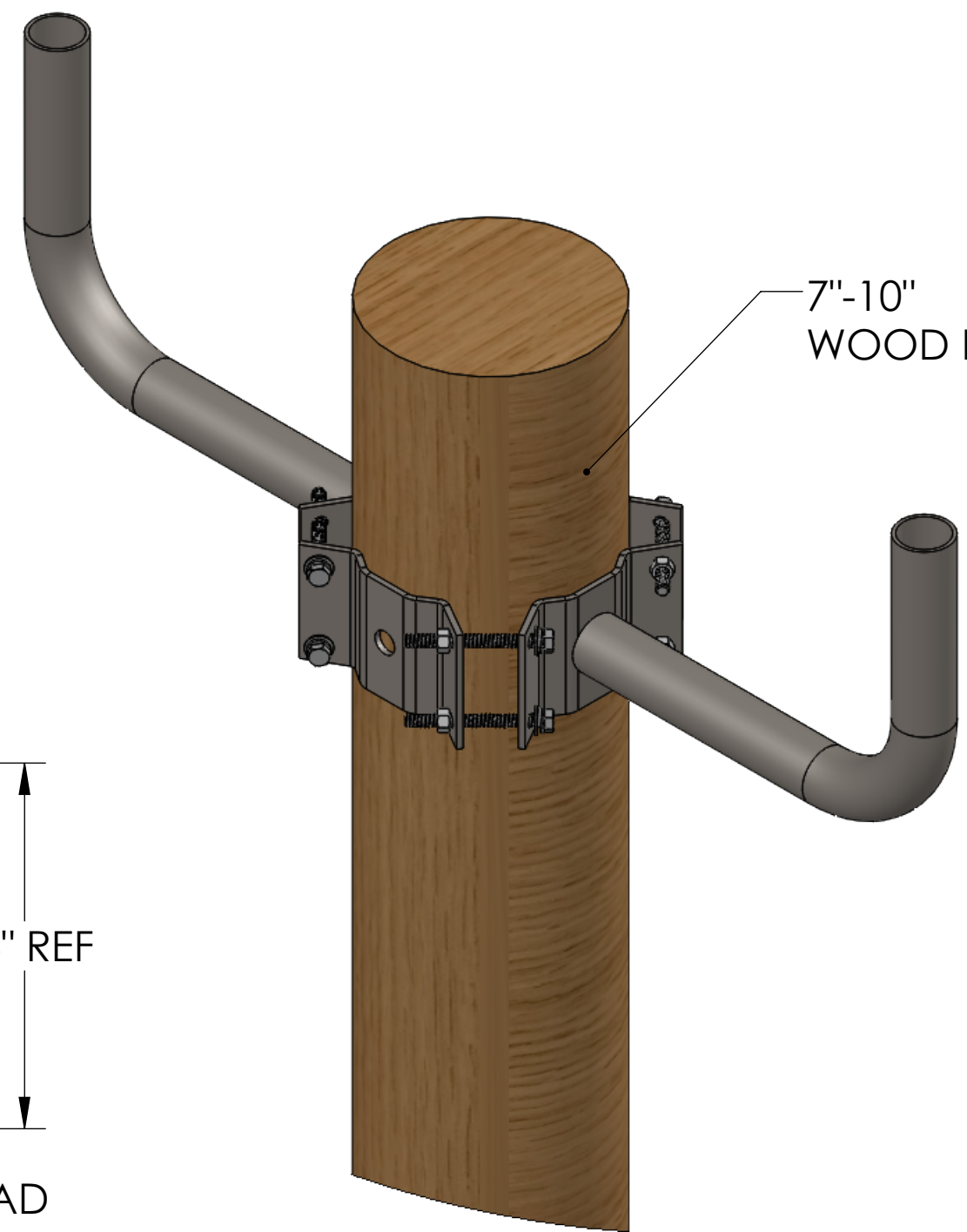
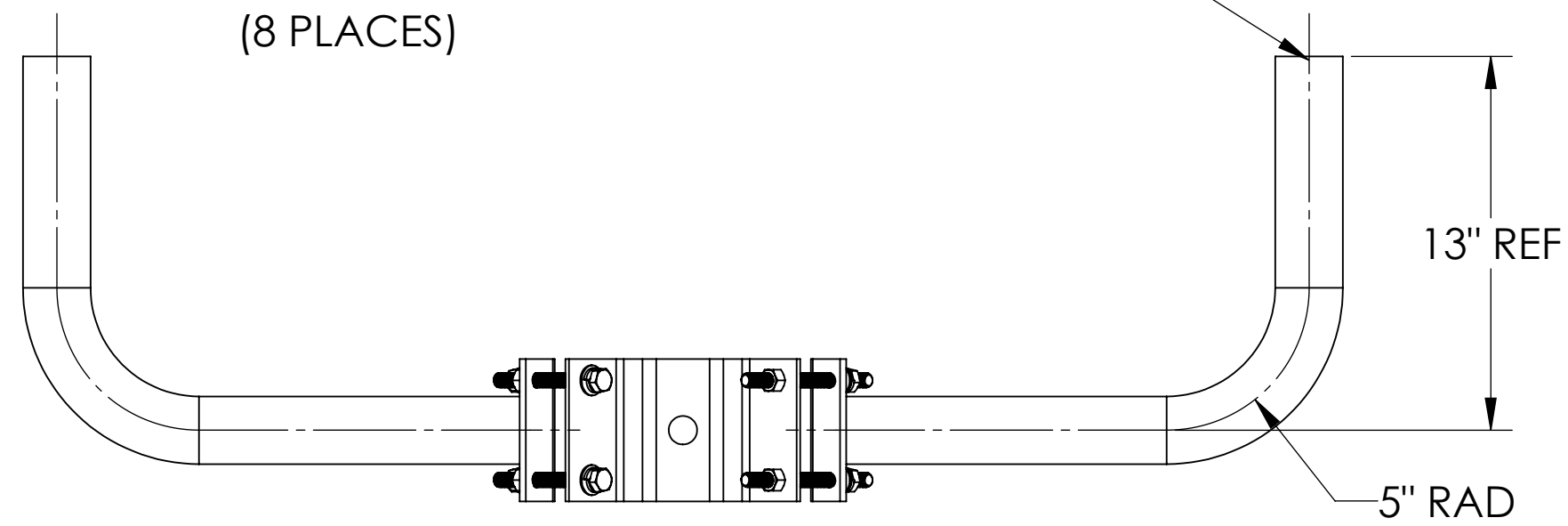
2

1



1/2-13 HHCS
W/HEX NUT,
FLAT AND LOCK
WASHER
(8 PLACES)

2 3/8" OD
X .154" WALL TB



B


B

A

A

All dimensions and specifications are subject to change without any notice.

PROPRIETARY AND CONFIDENTIAL
THE INFORMATION CONTAINED IN THIS DRAWING IS THE SOLE PROPERTY OF *Energy Light, Inc.* ANY REPRODUCTION IN PART OR AS A WHOLE WITHOUT THE WRITTEN PERMISSION OF *Energy Light, Inc.* IS PROHIBITED.

		UNLESS OTHERWISE SPECIFIED:		NAME	DATE	TITLE:	
		DIMENSIONS ARE IN INCHES TOLERANCES: FRACTIONAL ± 1/64 ANGULAR: ± 0.5° TWO PLACE DECIMAL ±0.01 THREE PLACE DECIMAL ±0.005		DRAWN	MKA	07-08-21	2 Arm Wrap Around Bracket for Wood Poles with 7-10 Inch Diameter
		INTERPRET GEOMETRIC TOLERANCING PER:		ENG APPR.			
		MATERIAL		MFG APPR.			
NEXT ASSY	USED ON	FINISH		Q.A.			SIZE
APPLICATION		DO NOT SCALE DRAWING		 Energy Light, Inc. 1881 Rose Road Lake Zurich, IL 60047		ITEM NO.	
						B WPB1150	
				SCALE: 1:6		WEIGHT: 30 lbs	SHEET 1 OF 1

4

3

2

1