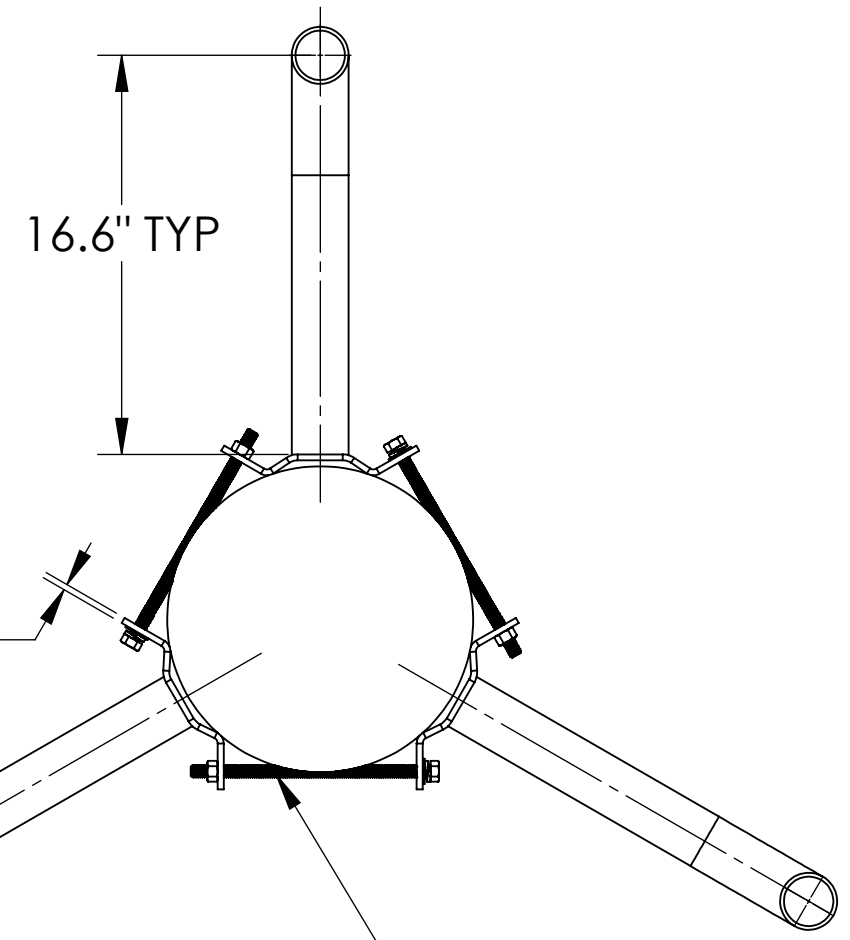
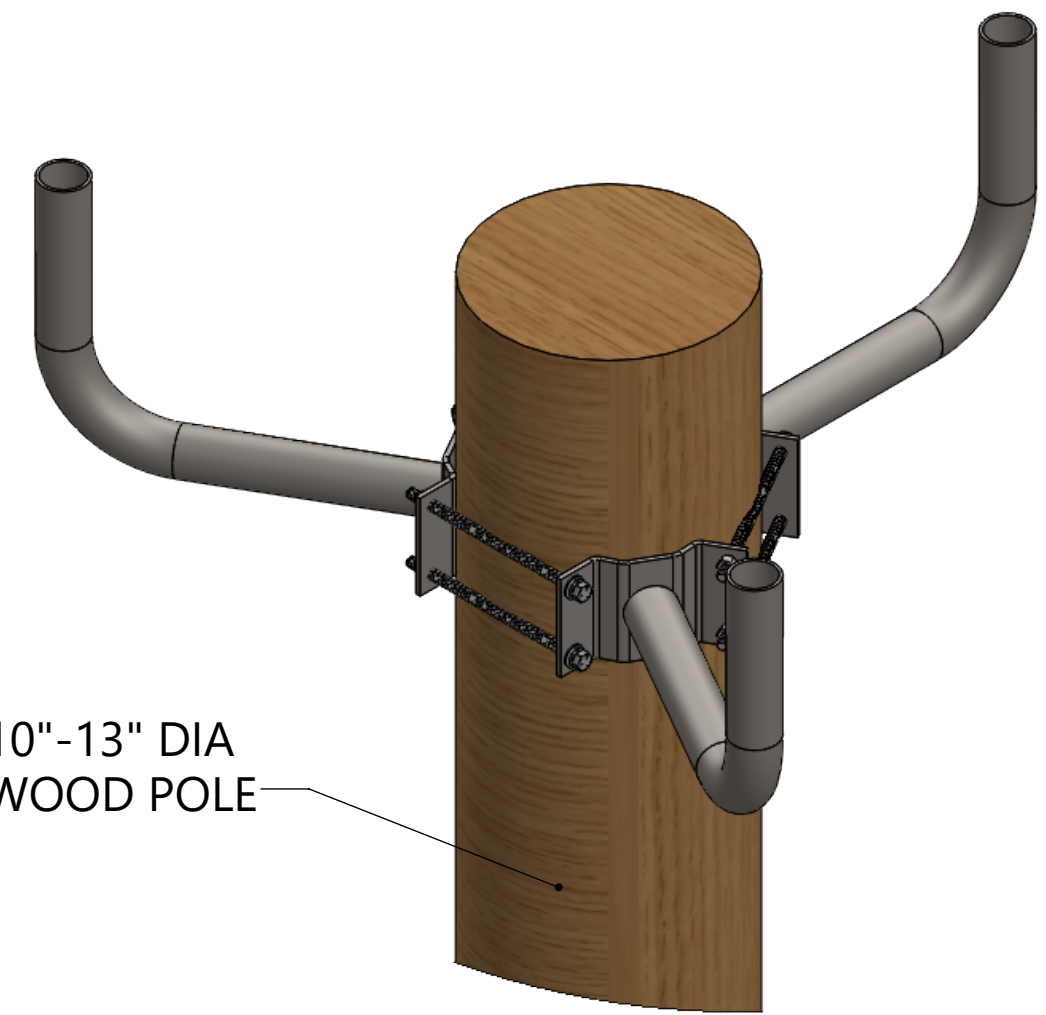
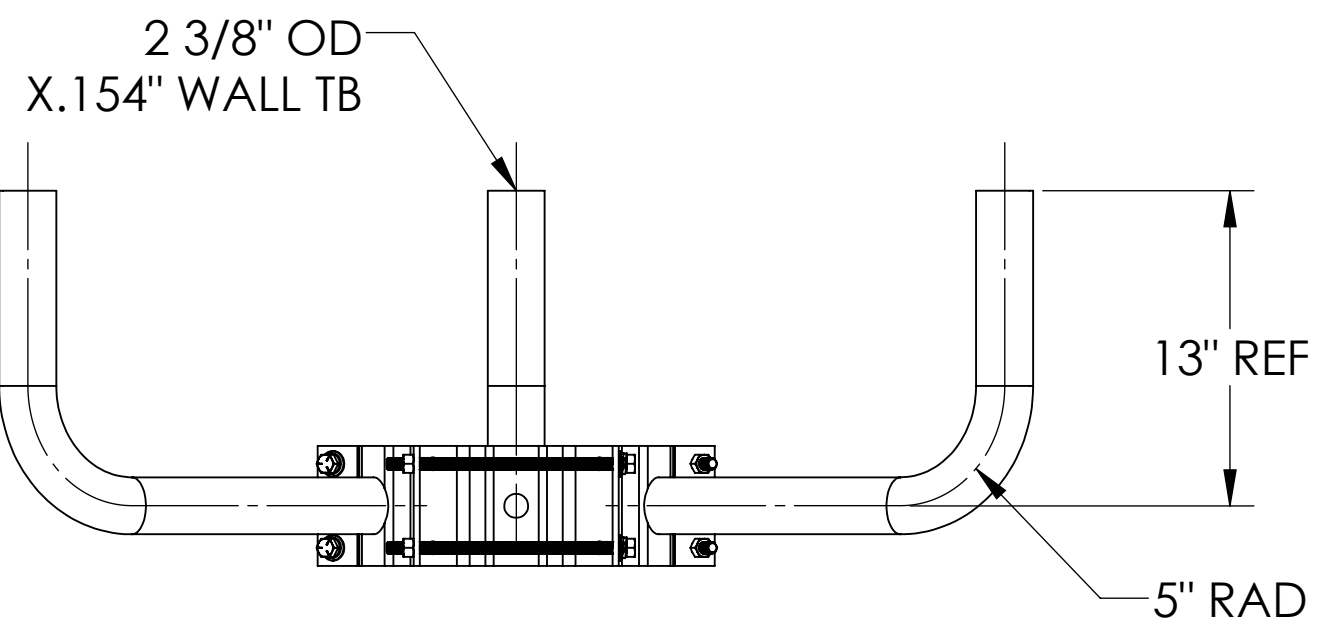


4

3

2

1




1/4" THK PLATE

1/2-13 HHCS W/HEX NUT, FLAT AND LOCK WASHER (6 PLACES)

All dimensions and specifications are subject to change without any notice.

PROPRIETARY AND CONFIDENTIAL THE INFORMATION CONTAINED IN THIS DRAWING IS THE SOLE PROPERTY OF Energy Light, Inc. ANY REPRODUCTION IN PART OR AS A WHOLE WITHOUT THE WRITTEN PERMISSION OF Energy Light, Inc. IS PROHIBITED.

		UNLESS OTHERWISE SPECIFIED:		NAME	DATE	TITLE:	
		DIMENSIONS ARE IN INCHES		DRAWN	MKA	3 Arm Wrap Around Bracket for Wood Poles with 10-13 Inch Diameter, with Arms at 120 Degrees	
		TOLERANCES:		ENG APPR.			
		FRACTIONAL: ± 1/64		MFG APPR.			
		ANGULAR: ± 0.5°		Q.A.			
		TWO PLACE DECIMAL ±0.01					
		THREE PLACE DECIMAL ±0.005					
		INTERPRET GEOMETRIC TOLERANCING PER:		 Energy Light, Inc. 1881 Rose Road Lake Zurich, IL 60047			
		MATERIAL					
		FINISH					
NEXT ASSY	USED ON	APPLICATION		SIZE B ITEM NO. WPB1153 REV SCALE: 1:8 WEIGHT: 36 lbs SHEET 1 OF 1			
		DO NOT SCALE DRAWING					

4

3

2

1

B

B

A

A