

4

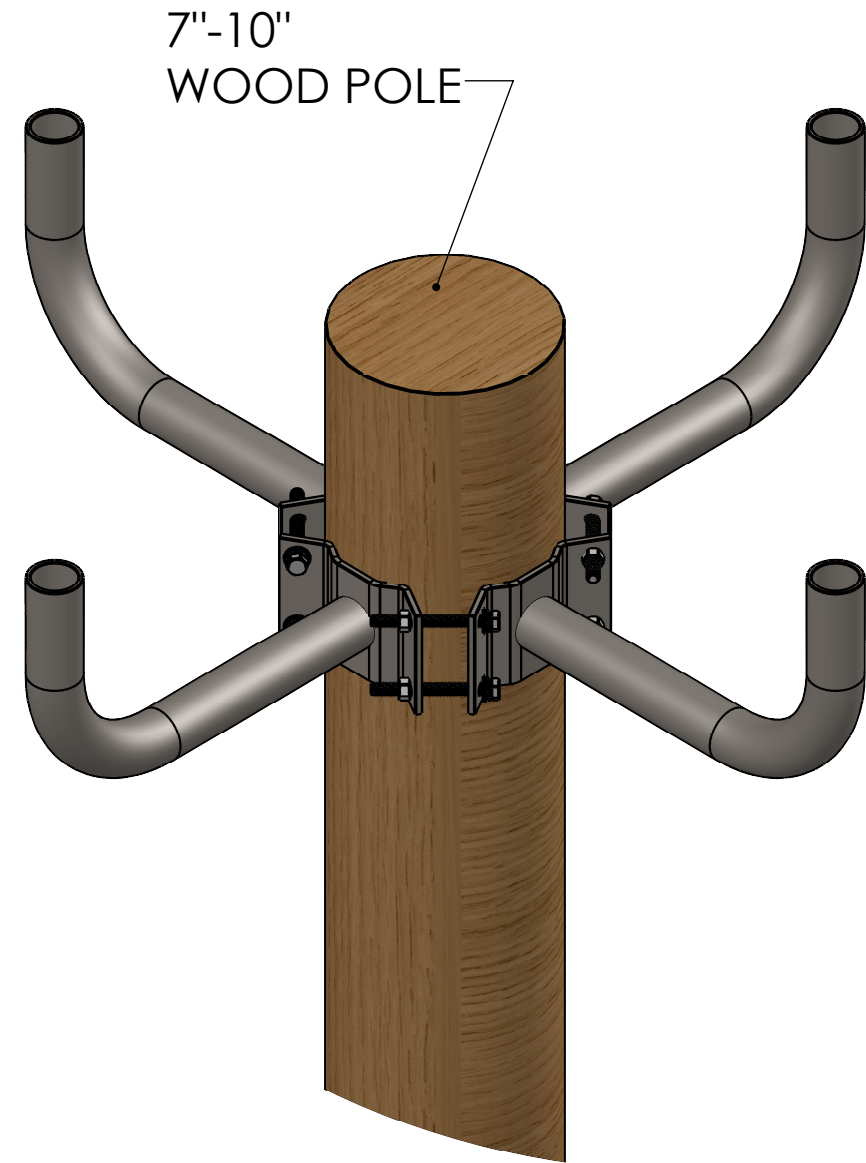
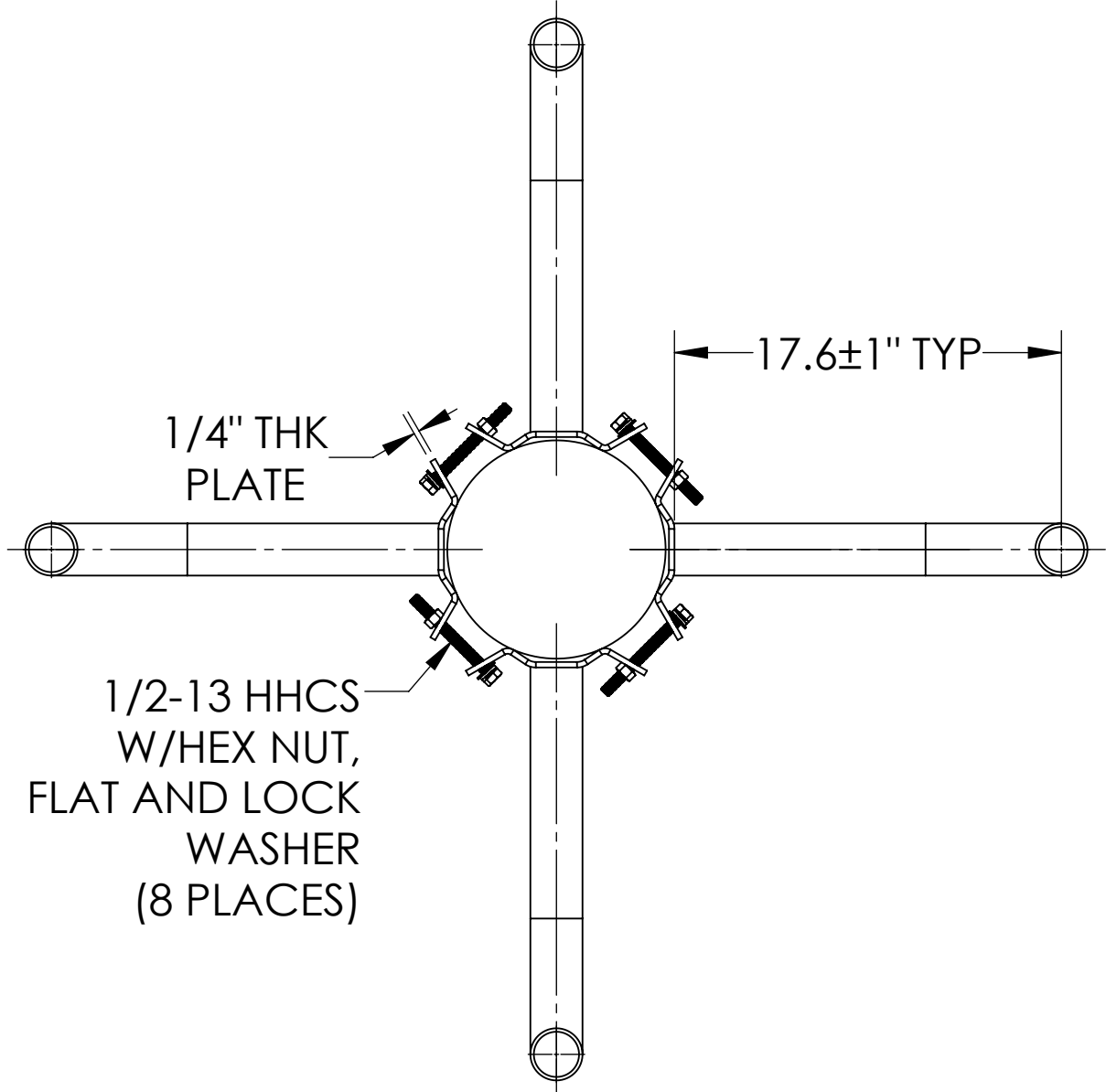
3

2

1

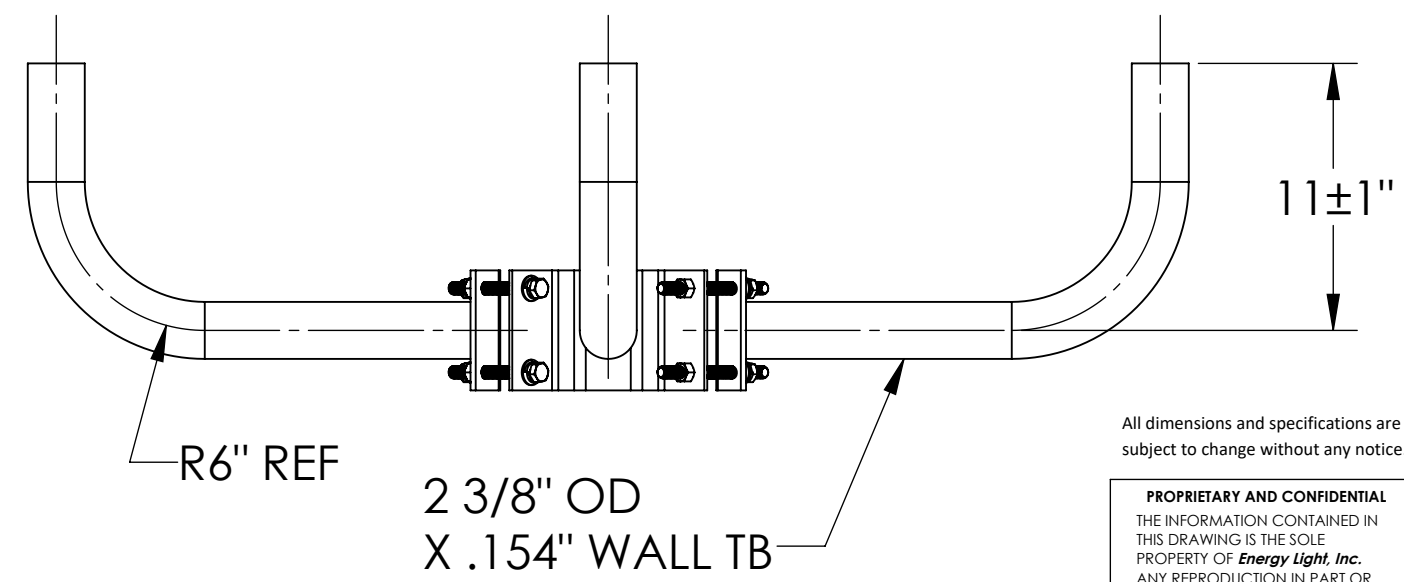
B

B




A

A



All dimensions and specifications are subject to change without any notice.

PROPRIETARY AND CONFIDENTIAL
 THE INFORMATION CONTAINED IN THIS DRAWING IS THE SOLE PROPERTY OF *Energy Light, Inc.* ANY REPRODUCTION IN PART OR AS A WHOLE WITHOUT THE WRITTEN PERMISSION OF *Energy Light, Inc.* IS PROHIBITED.

		UNLESS OTHERWISE SPECIFIED:		NAME	DATE	TITLE: 4 Arm Wrap Around Bracket for Wood Poles with 7-10 Inch Diameter	
		DIMENSIONS ARE IN INCHES TOLERANCES: FRACTIONAL ± 1/64 ANGULAR: ± 0.5° TWO PLACE DECIMAL ± 0.01 THREE PLACE DECIMAL ± 0.005		DRAWN	MKA		
		INTERPRET GEOMETRIC TOLERANCING PER:		ENG APPR.			SIZE B
		MATERIAL		MFG APPR.			
		FINISH		Q.A.			REV
NEXT ASSY	USED ON			 Energy Light, Inc. 1881 Rose Road Lake Zurich, IL 60047		SCALE: 1:8	
APPLICATION		DO NOT SCALE DRAWING				WEIGHT: 48 lbs	SHEET 1 OF 1

4

3

2

1