

4

3

2

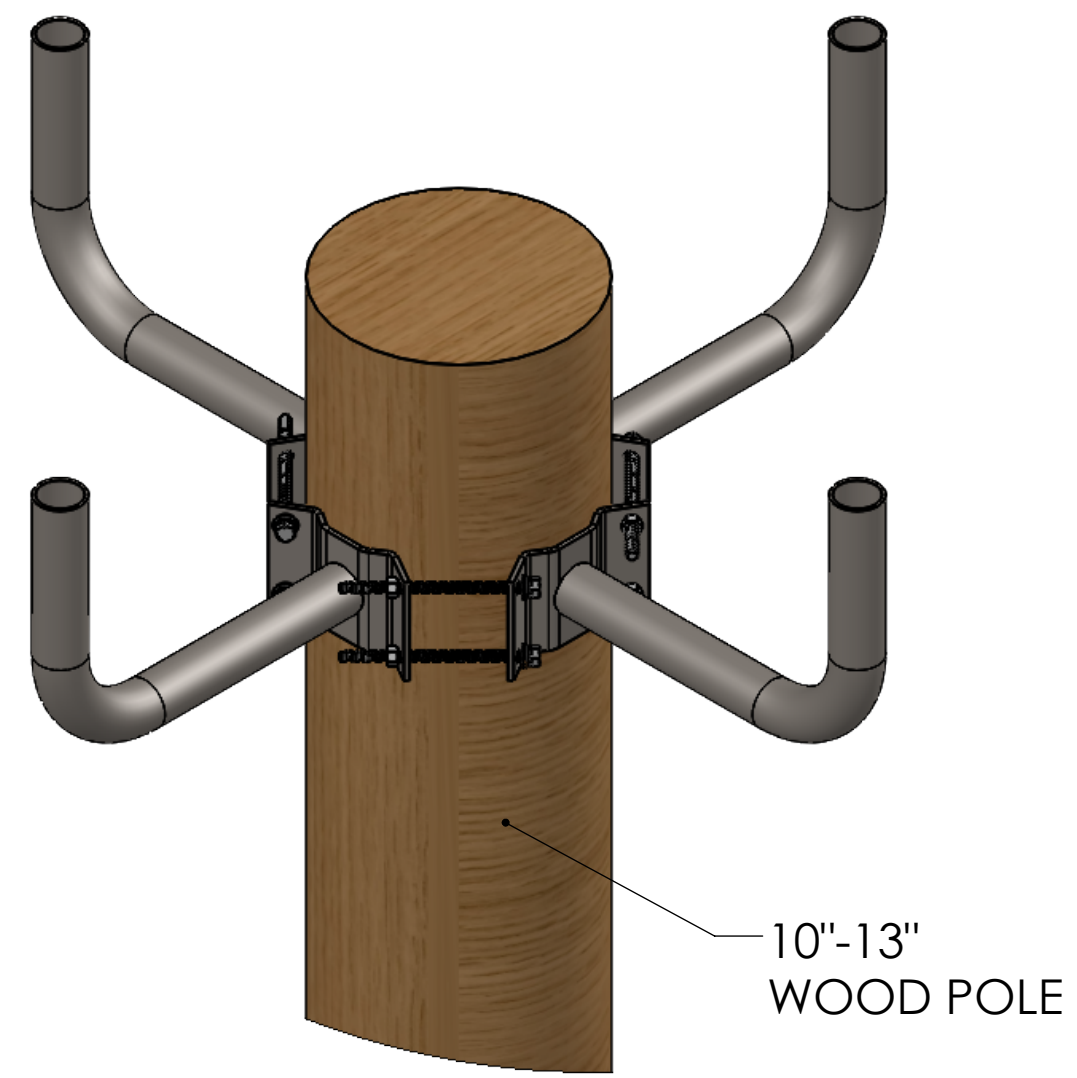
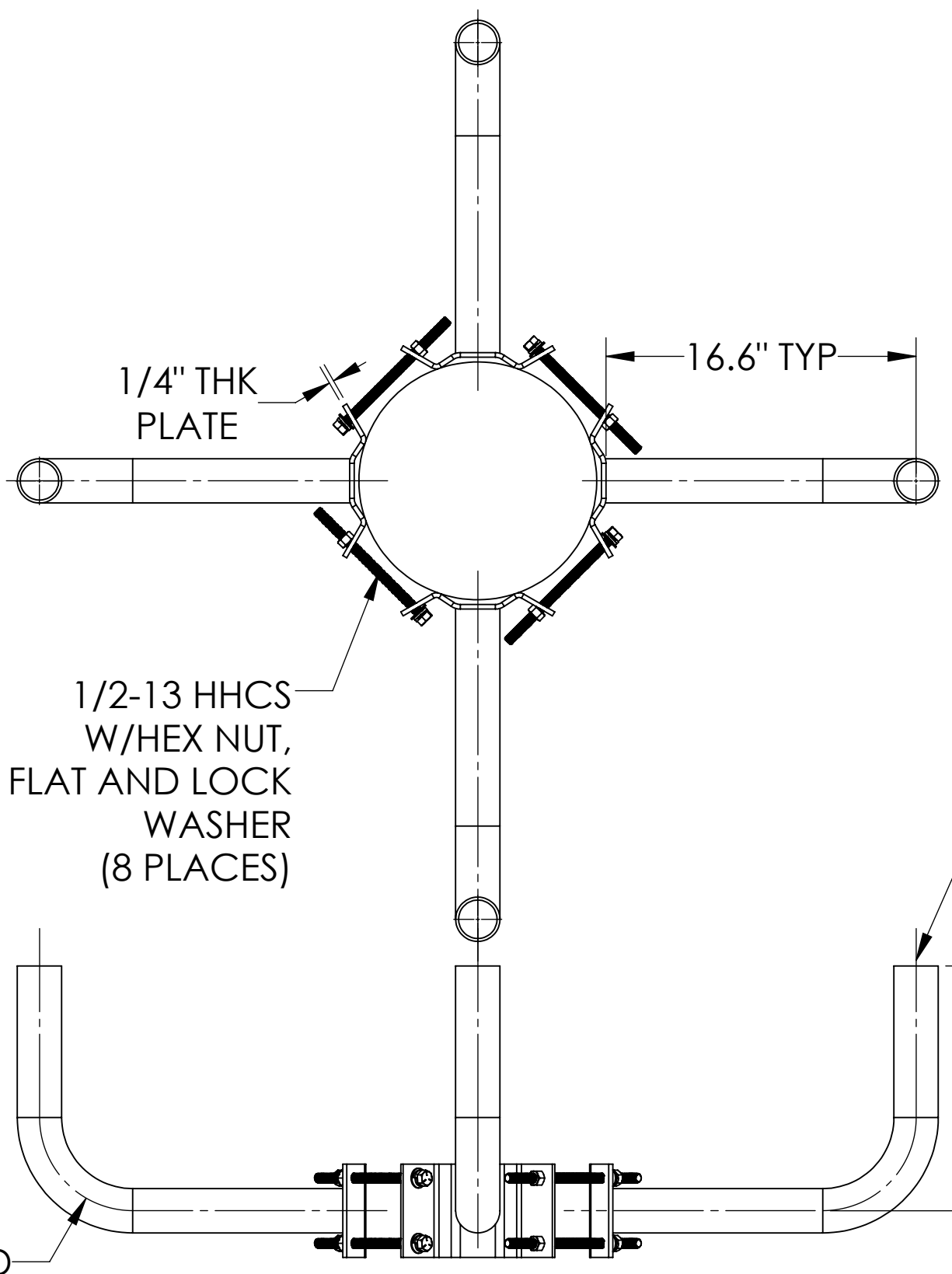
1

B

B

A

A



5" RAD

1/4" THK PLATE

16.6" TYP

1/2-13 HHCS W/HEX NUT, FLAT AND LOCK WASHER (8 PLACES)


2 3/8" OD X .154" WALL TB

13" REF

10"-13" WOOD POLE

All dimensions and specifications are subject to change without any notice.

PROPRIETARY AND CONFIDENTIAL THE INFORMATION CONTAINED IN THIS DRAWING IS THE SOLE PROPERTY OF Energy Light, Inc. ANY REPRODUCTION IN PART OR AS A WHOLE WITHOUT THE WRITTEN PERMISSION OF Energy Light, Inc. IS PROHIBITED.

		UNLESS OTHERWISE SPECIFIED:		NAME	DATE	TITLE:		
		DIMENSIONS ARE IN INCHES		DRAWN	MKA	4 Arm Wrap Around Bracket for Wood Poles with 10-13 Inch Diameter		
		TOLERANCES:		ENG APPR.				
		FRACTIONAL ± 1/64		MFG APPR.				
		ANGULAR: ± 0.5°		Q.A.				
		TWO PLACE DECIMAL ±0.01						
		THREE PLACE DECIMAL ±0.005						
		INTERPRET GEOMETRIC TOLERANCING PER:		 Energy Light, Inc. 1881 Rose Road Lake Zurich, IL 60047				
		MATERIAL						
		FINISH						
NEXT ASSY	USED ON	APPLICATION		DO NOT SCALE DRAWING		SIZE	ITEM NO.	REV
						B	WPB1155	
						SCALE: 1:8	WEIGHT: 48 lbs	SHEET 1 OF 1

4

3

2

1