

CRV Series - 2x2

Direct/Indirect, Curve diffuser,
Grid Mount

FEATURES & SPECIFICATIONS

INTENDED USE

Specification grade, direct / indirect center diffuser luminaire provides smooth and uniform ambient lighting for all commercial and industrial buildings with recessed configurations. Reflected light from matte surfaces provide a softened “sky light” appearance to the modern office environment. Unique dual curved lens with center perforated basket or linear ribbed diffuser provides a luminous housing with excellent visual comfort. Light reaches higher in the space to eliminate the “cave effect.”

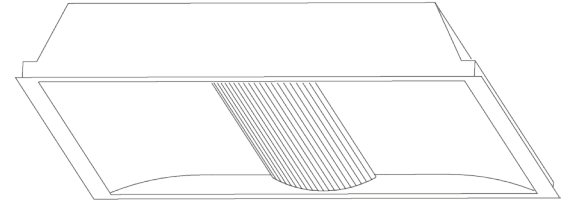
SIZE W x L x H in inches

24.0W x 24.0L x 4.0Dp

MATERIALS & FEATURES

Housing is die-formed and embossed code 22 gage steel. Luminaire body finish is high reflectance baked white enamel, with matte white reflectors. Wiring knockouts are provided on the back of housing.

- Center section is flush with outer panels, eliminating the dirt and debris from collecting.
- One-piece enclosure is mounted to one piece doorframe
- Direct / indirect mimics “sky light” appearance
- Matte white reflective surfaces for soft, uniform light distribution
- Recessed perforated center diffuser with acrylic overlay.



LAMP

2 or 3 lamp positions

MOUNTING

Recessed inverted T-Bar ceilings. Grid mount.

LISTING

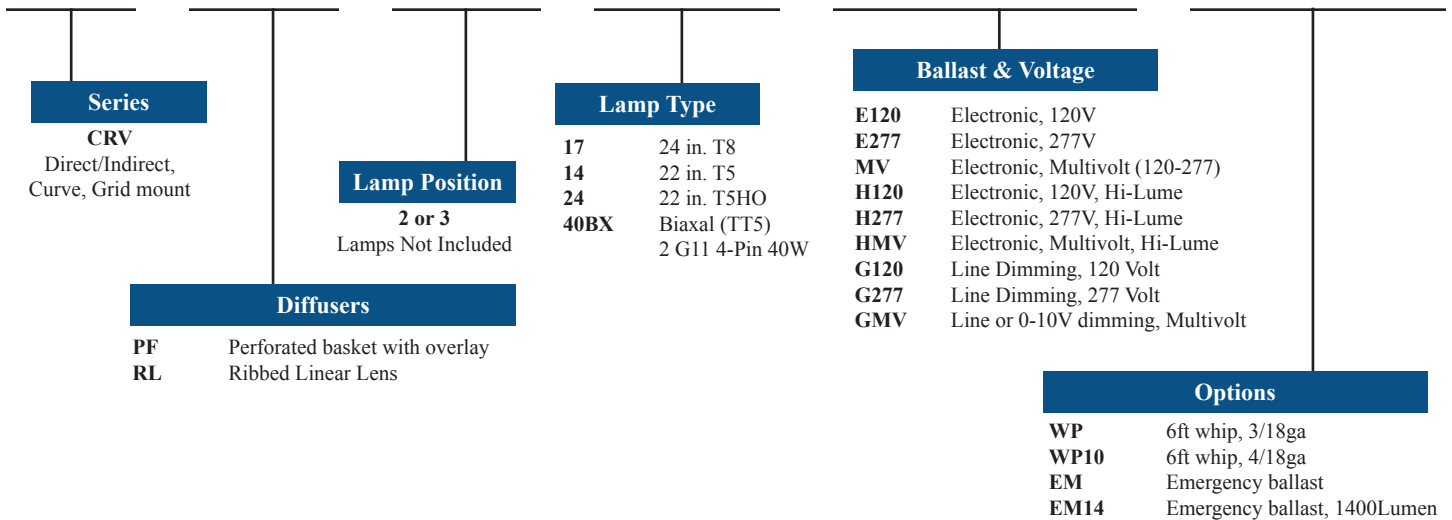
Fixture and Ballast: UL Listed.
Ballast: Thermally protected, class P, HPF,
Non PCB.

TYPICAL OPTIONS AND ACCESSORIES

Emergency ballasts, whips, and lenses. See options page at the end of the T02Grid section, or contact factory for more details.

ORDERING INFORMATION

Example: **CRVPF228MV**



EM14 ballast required for T5, TT5 & T5HO lamps

Catalog Number:
Notes:

CRV Series - 2x2

Direct/Indirect, Curve diffuser,
Grid Mount

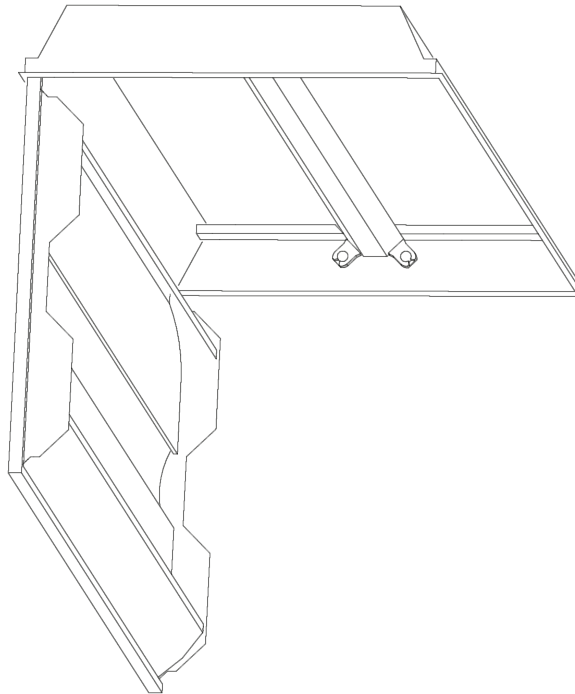
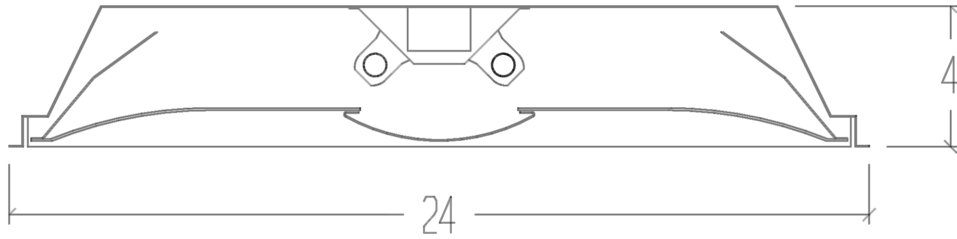


T E X A S

F L U O R E S C E N T S

DIMENSIONS

All dimensions are inches. Specifications subject to change without notice.



Catalog Number:
Notes:

CRV Series - 2x4

Direct/Indirect, Curve diffuser,
Grid Mount

FEATURES & SPECIFICATIONS

INTENDED USE

Specification grade, direct / indirect center diffuser luminaire provides smooth and uniform ambient lighting for all commercial and industrial buildings with recessed configurations. Reflected light from matte surfaces provide a softened “sky light” appearance to the modern office environment. Unique dual curved lens with center perforated basket or linear ribbed diffuser provides a luminous housing with excellent visual comfort. Light reaches higher in the space to eliminate the “cave effect.”

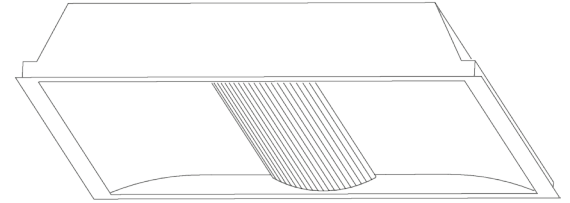
SIZE W x L x H in inches

24.0W x 48.0L x 4.0Dp

MATERIALS & FEATURES

Housing is die-formed and embossed code 22 gage steel. Luminaire body finish is high reflectance baked white enamel, with matte white reflectors. Wiring knockouts are provided on the back of housing.

- Center section is flush with outer panels, eliminating the dirt and debris from collecting.
- One-piece enclosure is mounted to one piece doorframe
- Direct / indirect mimics “sky light” appearance
- Matte white reflective surfaces for soft, uniform light distribution
- Recessed perforated center diffuser with acrylic overlay.



LAMP

2 or 3 lamp positions

MOUNTING

Recessed inverted T-Bar ceilings. Grid mount.

LISTING

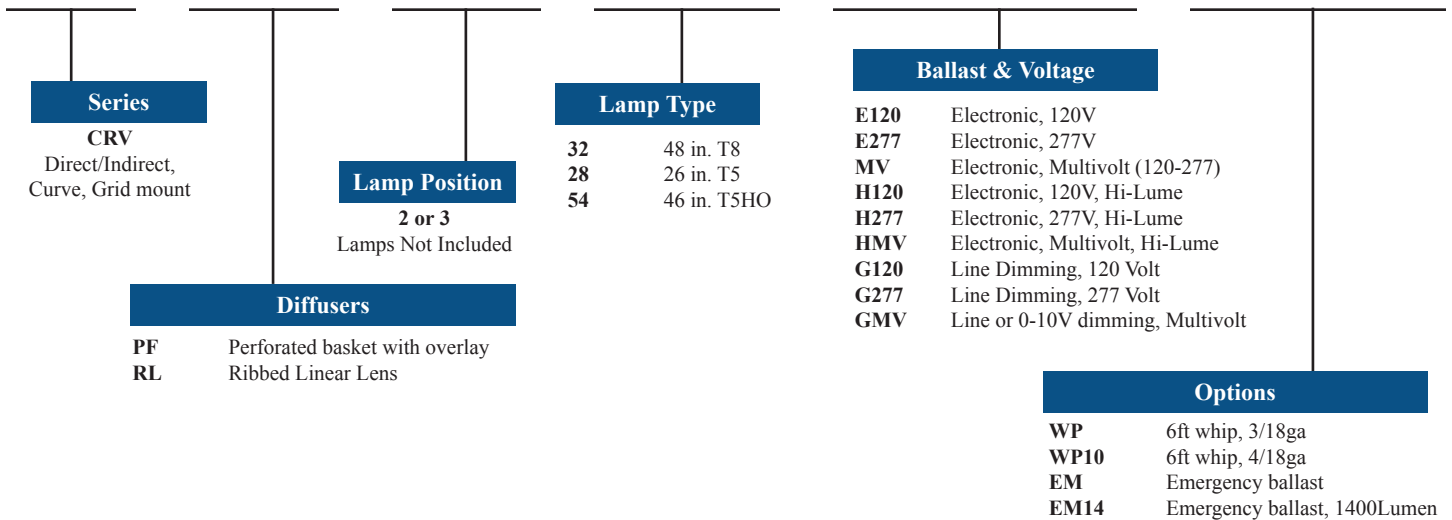
Fixture and Ballast: UL Listed.
Ballast: Thermally protected, class P, HPF,
Non PCB.

TYPICAL OPTIONS AND ACCESSORIES

Emergency ballasts, whips, and lenses. See options page at the end of the T02Grid section, or contact factory for more details.

ORDERING INFORMATION

Example: **CRVPF232MV**



EM14 ballast required for T5, TT5 & T5HO lamps

Catalog Number:
Notes:

CRV Series - 2x4

Direct/Indirect, Curve diffuser,
Grid Mount

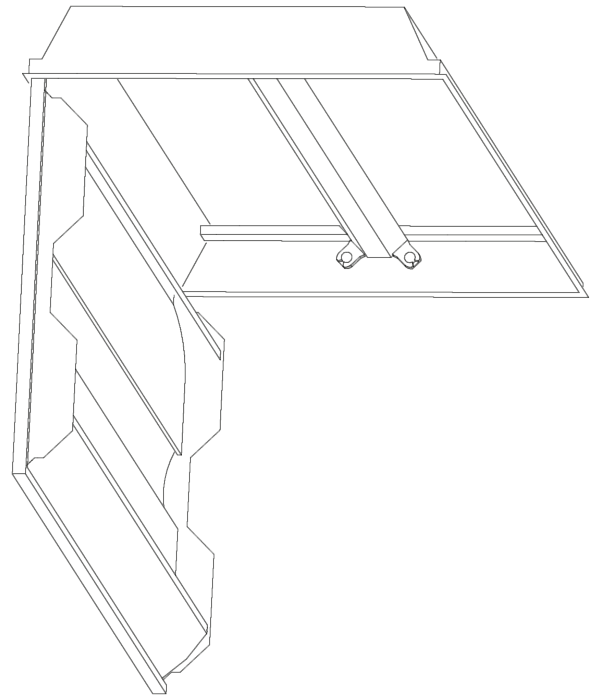
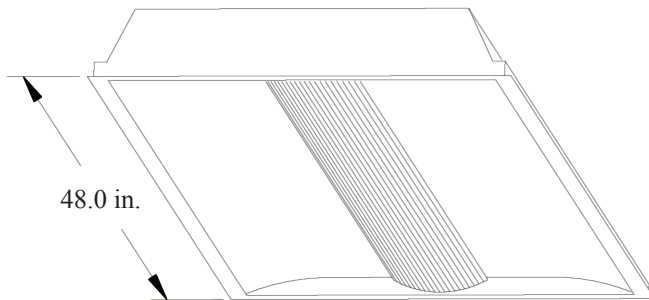
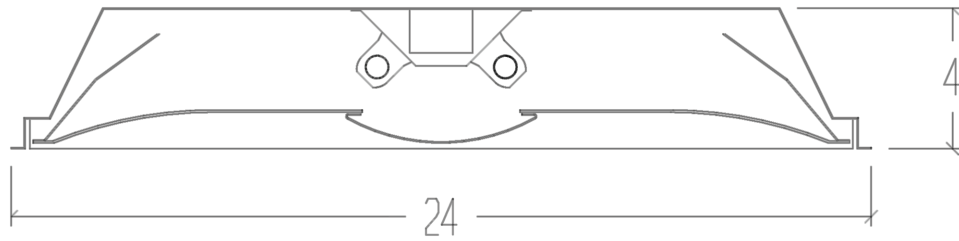


T E X A S

F L U O R E S C E N T S

DIMENSIONS

All dimensions are inches. Specifications subject to change without notice.



Catalog Number:
Notes: