

FEH-V4ICAD

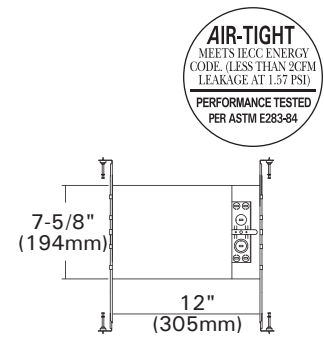
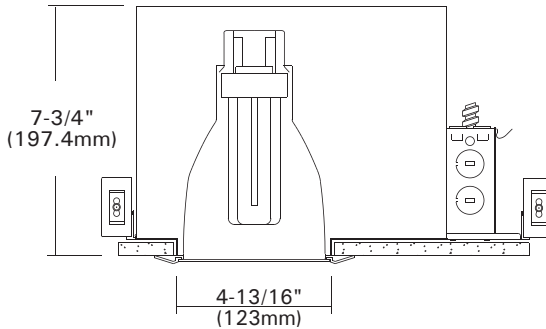
4.5" IC/AIR-TIGHT Housings For

13W, 18W or 26W Compact Fluorescent, For Use In Direct Contact with Ceiling Insulation



Catalog #		Type
Project		Date
Prepared by		

FLUORESCENT



AIR-TIGHT
MEETS IECC ENERGY CODE. (LESS THAN 2CFM LEAKAGE AT 1.57 PSI)
PERFORMANCE TESTED PER ASTM E283-04

Ceiling Cut-out : 5" Lamp, Max, Watt. : 26W

DESCRIPTION & APPLICATION

The FEH-V4ICAD is designed for insulated ceilings and can be in direct contact with insulation material. The AIR-TIGHT housing design prevents airflow through the ceiling, helping save on heating and cooling costs. The FEH-V4ICAD offers a wide choice of trim types including reflector, lensed and wall wash trims and is warranted for 2 years.

DESIGN FEATURES

Housing

- Single wall aluminum housing.
- 7-3/4" height allows use in 2" X 8" joist construction.
- Housing adjusts for ceilings up to 1-1/4" thick.
- Gasket included in J-box.

Junction Box

- Listed for through branch circuit wiring. (Max. 8 No 12 AWG 90°C branch circuit conductors. (4 in, 4 out)
- (5) 1/2" knockouts with true pry-out slots and (4) knockouts with Romex cable clamp.
- Ground wire provided on J-box.

Socket

- G24Q/GX24Q base socket for use 4pin DTT or TTT lamps.
- Socket cup with spring clip snaps into socket hole on the top of all of trims. Sealed cup is for AIR-TIGHT.

Bar Hangers

- Maximum extension of 24" allows for extra distance between joists.
- Housing can be positioned at any point within 24" joist span.
- Score lines allow "toolless" shortening for 12" joists. Bar hangers may be repositioned 90 degrees.
- Integral T-bar clips snaps onto T-bars and no additional clips are required.

Just-A-Nail

- Pre-installed nail bars with vertical slots are used to evenly align the bars horizontally after nailing halfway into wood joists.

Trims

- All trims with various shapes with baffle collar, shower lens and reflector finished in clear, gold, pewter, champagne.

Lamp

- Compact Fluorescent lamps.
- Generic 13W, 18W, 26W lamp designations.
 - * DTT-Double twin tube (Quad/CFQ)
 - CFQ 13W / G24Q / 830
 - CFQ 18W / G24Q / 830
 - CFQ 26W / G24Q / 830
 - * TTT-Triple twin tube (CFTR)
 - CFTR 18W / GX24Q / 830
 - CFTR 26W / GX24Q / 830
- Recommend lamp, 10,000 hour rated average life.
- Color temperature (warm to cool) options offer 2700K warm or 3000K medium-warm incandescent-like light.

Electronic Ballast

- Thermally protected, fused, 120volt HPF or NPF electronic ballast provides full light output and rated lamp life. Provides flicker free and noise free operation and starting. End of lamp life protection is standard. Meets FCC EMT/RFI Consumer Level limits.

Listing

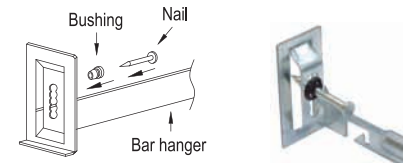
- UL, c-UL listed for damp location.
- UL, c-UL listed for feed through.
- UL, c-UL listed for direct contact with Insulation material.
- Air-tight, performance tested under ASTM E283

Lamp/Ballast Energy Data

Nominal lamp wattage	13W, 18W, 26W HPF	13W, 18W, 26W NPF
Input current	0.12A, 0.17A, 0.24A	0.12A, 0.17A, 0.24A
Input power	14W, 20W, 28W	16W, 23W, 31W
Power factor	0.998, 0.998, 0.998	0.630, 0.635, 0.641

Just-A-Nail

Adjustable nail hanger bar for easy alignment.



JUST-A-NAIL

Optional "Quick Connect" Push-in wire connectors.

- Three "Quick Connectors"
- Pre-installed push-in wire connectors for fast and easy wiring.

Compliance

- State of California title 24.
- Washington state energy code.
- New York state energy conservation construction code.
- Energy Star Qualified.
- Certified AIR-TIGHT under ASTM E283.

Ordering Information

Housing	Lamp(s) Watt.	Ballast	Option
FEH-V4ICAD	113 : (1)13W 118 : (1)18W 126 : (1)26W	*Other Dimming Products Available. Consult With Factory. *1% Lutron Hi-Lume Limited Use For (1)26W & (1)32W TTT. -NE : NPF Electronic (For use with (1)13W, 18W & 26W 120V only) -HE : HPF Electronic(120/277V) -HEDM7 : Mark 7 Dimming (120V/227V) -HED1 : Mark 10 Dimming (120V) -HED2 : Mark 10 Dimming (227V) -HELD1 : Lutron Compact SE (120V) -HELD2 : Lutron Compact SE (227V)	-EM : Emergency w/ Remote Test Switch -Q : Quick Connectors

Trims

4.5" Compact Fluorescent Trims For FEH-V4ICAD

Catalog #		Type
Project		Date
Prepared by		

FLUORESCENT

FT-452

Specular Reflector
26W DTT, TTT
White Plastic Trim Ring
O.D : 6-1/16"



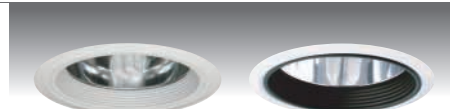
FT-452CL

FT-452GD

FT-452WH

FT-4514

Baffle w/ Reflector
26W DTT, TTT
White Plastic Trim Ring
O.D : 6-1/16"



FT-4514WH

FT-4514BK

FT-4540

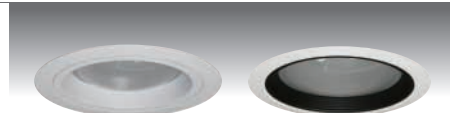
Reflector w/ Frosted Drop Lens
26W DTT, TTT
White Metal Trim Ring
O.D : 6-1/16"



FT-4540WH

FT-4541

Baffle w/ Convex Frosted Lens, Reflector
18W DTT, TTT
White Plastic Trim Ring
O.D : 6-1/16"

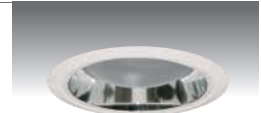


FT-4541WH

FT-4541BK

FT-4522

Reflector w/ Convex Frosted Lens, Reflector
18W DTT, TTT
White Plastic Trim Ring
O.D : 6-1/16"



FT-4522WH

ORDERING INFORMATION

Choose the catalog / finish codes that best suit your needs and enter it on the appropriate line.

TRIM MODEL	REFLECTOR	BAFFLE	METAL RING
	CL :Clear	WH :White	WH :White
	WH :White	BK :Black	BK :Black
	GD :Gold	SN :Satin Nickel	SN :Satin Nickel
	MA :Matte Platinum	AN :Antique Nickel	AN :Antique Nickel
	CP :Champagne	AC :Antique Copper	AC :Antique Copper
	PR :Pewter	MO :Mocha	MO :Mocha
	SM :Semi-Matte Clear	CA :Cappuccino	CA :Cappuccino
		CH :Chrome	CH :Chrome
		UN :Natural Steel	UN :Natural Steel
		PB :Polished Brass	PB :Polished Brass

Examples:

FT-452CL = White Trim Ring w/Clear Reflector
FT-4541BK = Convex Frosted Lens in Black Baffle