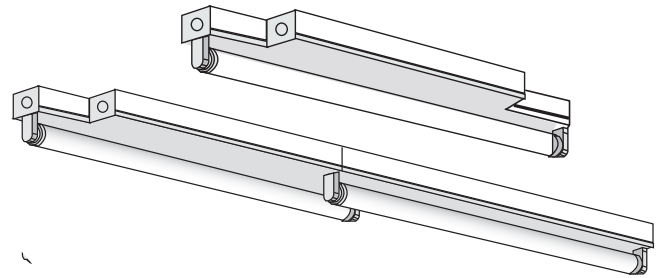


Series ST1

Staggered Strip One Lamp



FEATURES & SPECIFICATIONS

INTENDED USE

Specification grade, single lamp (and TANDEM single lamp) strip for interior coves, valances, and displays requiring lighting without dark areas at lamp ends.

SIZE W x L x H in inches (mm)

4.25W x 2.00H (110 x 50)

Fixture length defined in ordering table.

LAMP

1 lamp position.

MATERIALS & FEATURES

Housing is die-formed and embossed code 22 gage steel. Finish is high reflectance baked white enamel. Wiring knockouts are provided on back and end of housing. Ballast covers attach without tools to simplify ballast access.

See ST2 Series for similar fixtures with dual lamp cross section.

- Single unit length and tandem fixtures available in most lamp styles.
- Available with T8 or T12 lamp styles.
- Offset provides continuous row lighting.

ORDERING INFORMATION

ST1			32
Series			
ST1 Staggered Strip ONE lamp			
Lamp Type [1] & Tandem Code [2]			
17	24 in. T8	24 in. Actual Length	
25	6 36 in. T8	36 in. Actual Length	6ft. Tandem (2 lamp positions total) 69 in. actual Length
32	8 48 in. T8	48 in. Actual Length	8ft. Tandem (2 lamp positions total) 93 in. actual Length

Tandems not stocked. Contact factory for availability.

MOUNTING

Surface mount, chain hung, double stem. See end of chapter T02Strip for accessory mount kits.

LISTING

Fixture and Ballast: UL Listed.

Ballast: Thermally protected, class P, HPF, Non PCB; unless specified otherwise.

TYPICAL OPTIONS AND ACCESSORIES

Emergency ballasts, whips, fuses, and cord sets. See options page at the end of the T02Strip section, or contact factory for more details.

Example: ST1 32 E120

E120		
Ballast & Voltage [1]		
E120	Electronic, 120V	
E277	Electronic, 277V	
MV	Electronic, Multivolt (120-277)	
H120	Electronic, 120V, Hi-Lume	
H277	Electronic, 277V, Hi-Lume	
HMV	Electronic, Multivolt, Hi-Lume	
L120	Electronic, 120V, Lo-Lume	
L277	Electronic, 277V, Lo-Lume	
LMV	Electronic, Multivolt, Lo-Lume	
S	Residential 120V Ballast	
Options [1]		
WP	6 ft. 3 wire 18 gauge whip	
WP10	6 ft. 4 wire 18 gauge whip	
EM	Emergency ballast, 500 lumens	
EM14	Emergency ballast, 1400 lumens	
D	Ballast Disconnect	

Notes

[1] See end of T02Strip section for many additional lamps, ballasts, finishes, and options.

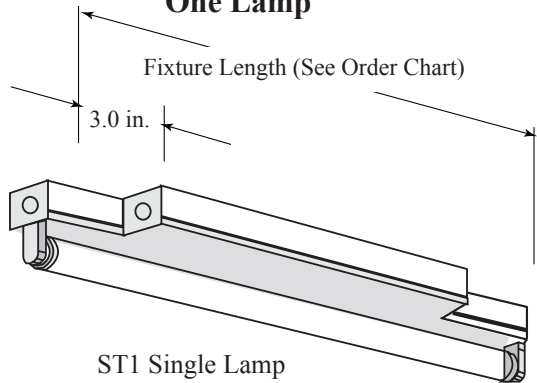
[2] Tandem increases length and lamp count.

Catalog Number:

Notes:

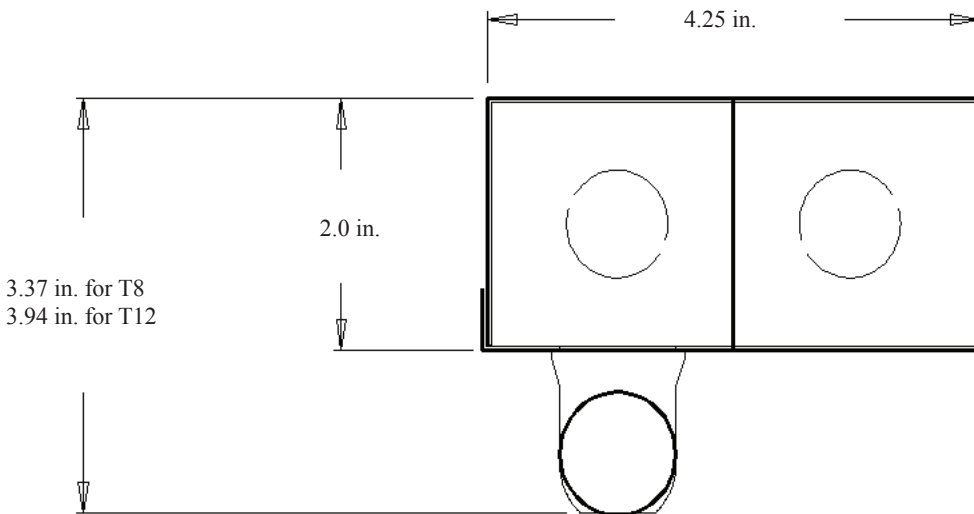
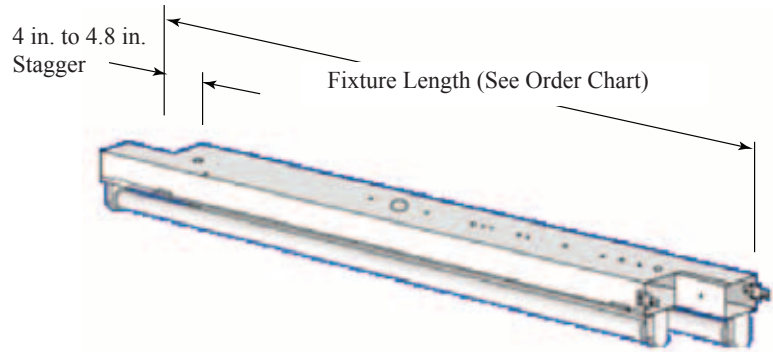
Series ST1

Staggered Strip One Lamp



DIMENSIONS

All dimensions are inches. Specifications subject to change without notice.



Catalog Number:
Notes: